

Assembly Instructions

K: 43430192 | T: 69717864 GARMENT RACK DUAL OPENING

CARE INSTRUCTIONS:







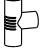
WIPE CLEAN WITH A SOFT DAMP CLOTH. DO NOT USE ABRASIVE MATERIAL AND SOLVENTS. KEEP AWAY FROM WATER AND DIRECT SUNLIGHT. CHECK AND TIGHTEN ALL PARTS REGULARLY. ENSURE PARTS ARE PUSHED TOGETHER SECURELY. FOR INDOOR USE ONLY.

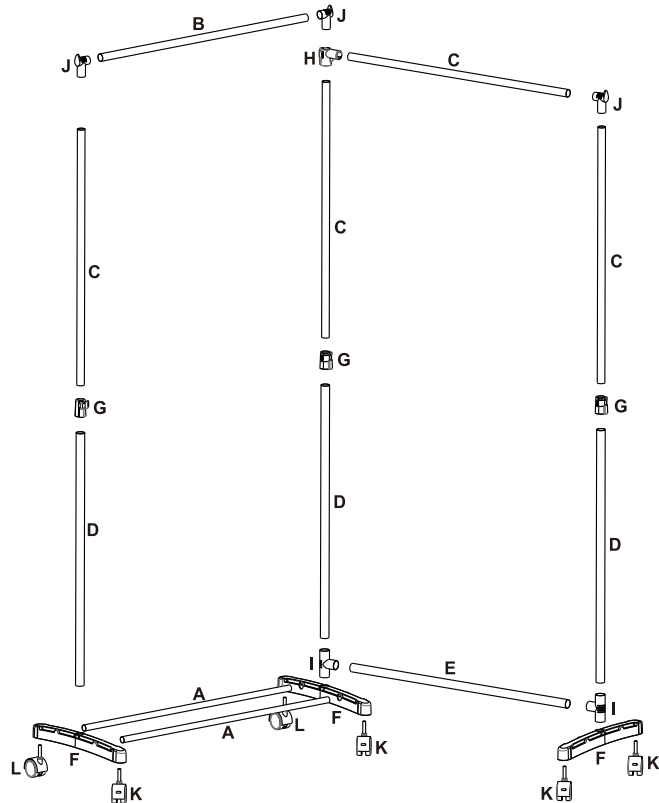
WARNING:

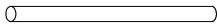
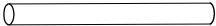
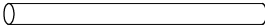


DO NOT STAND ON THE UNIT. USE ONLY ON A FLAT SURFACE. DO NOT USE UNTIL ALL SCREWS, BOLTS AND KNOBS ARE FIRMLY SECURED. THIS PRODUCT CONTAINS SMALL PARTS AND SHARP POINTS, KEEP AWAY FROM CHILDREN AND BABIES. ADULT ASSEMBLY REQUIRED. FAILURE TO FOLLOW THESE WARNINGS COULD RESULT IN SERIOUS INJURY.


MAXIMUM SAFE LOAD: 4KG FOR CLOTHES RAIL.

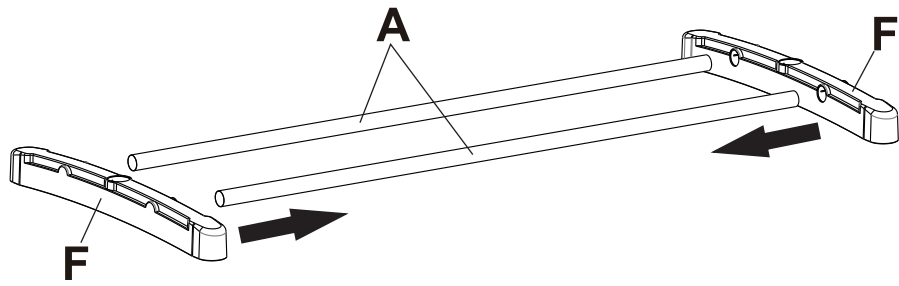
Hardware list


	F		3PCS		J		3PCS
	G		3PCS		K		4PCS
	H		1PC		L		2PCS
	I		2PCS				



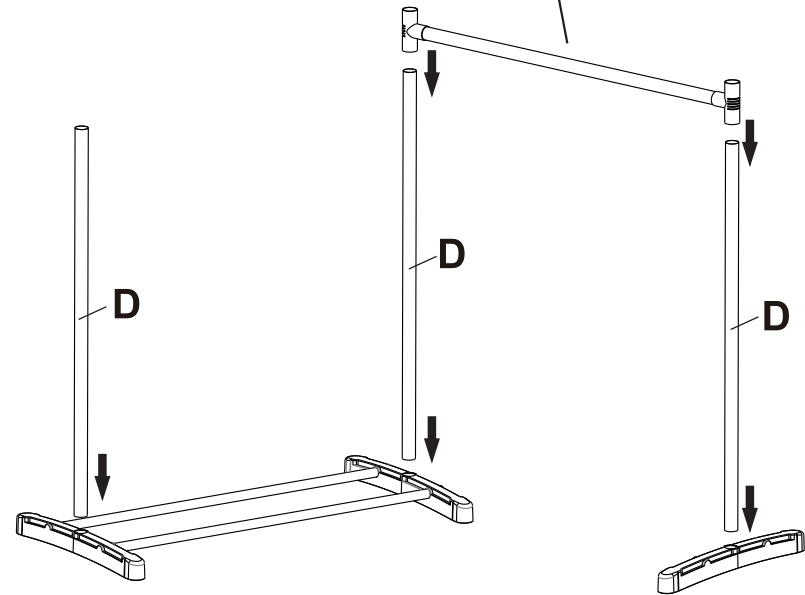
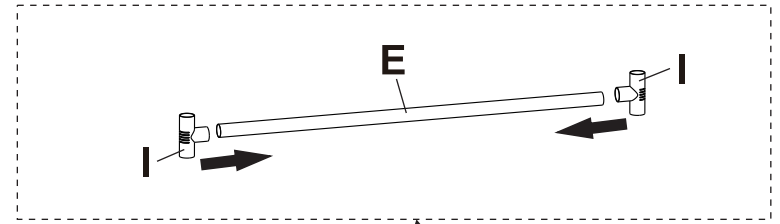
	715mm		715mm		770mm
A	2PCS	B	1PC	C	4PCS
	770mm		745mm		
D	3PCS	E	1PC		


STEP 1  Fx2

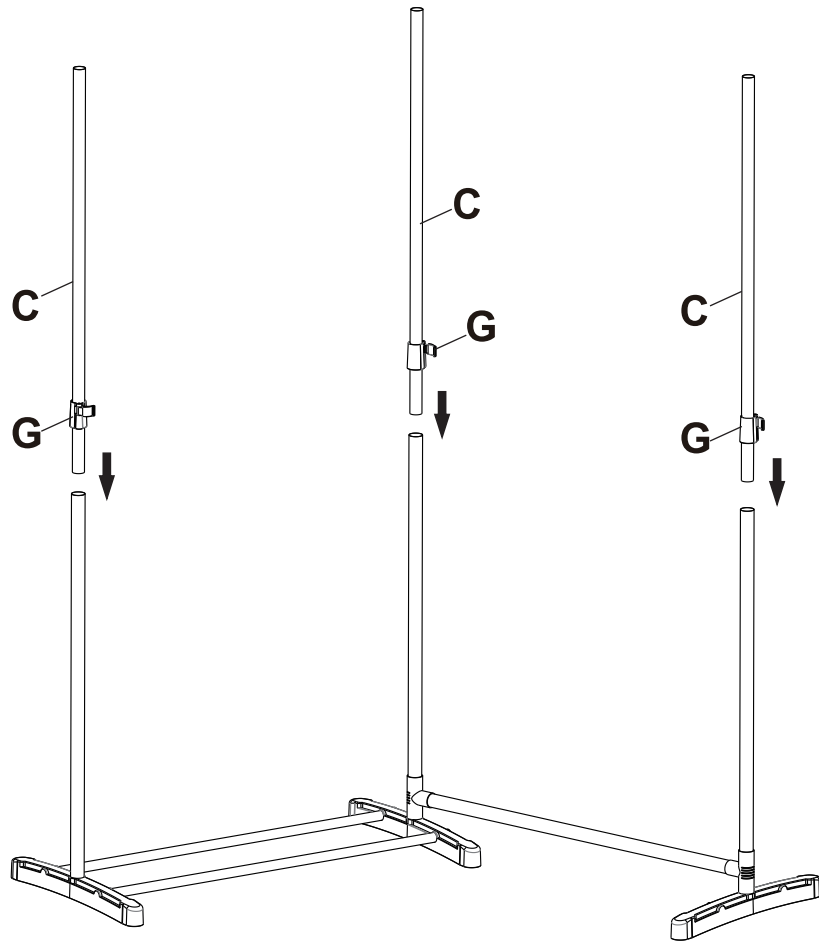


STEP 2  Ix2

Slide bar down to the base

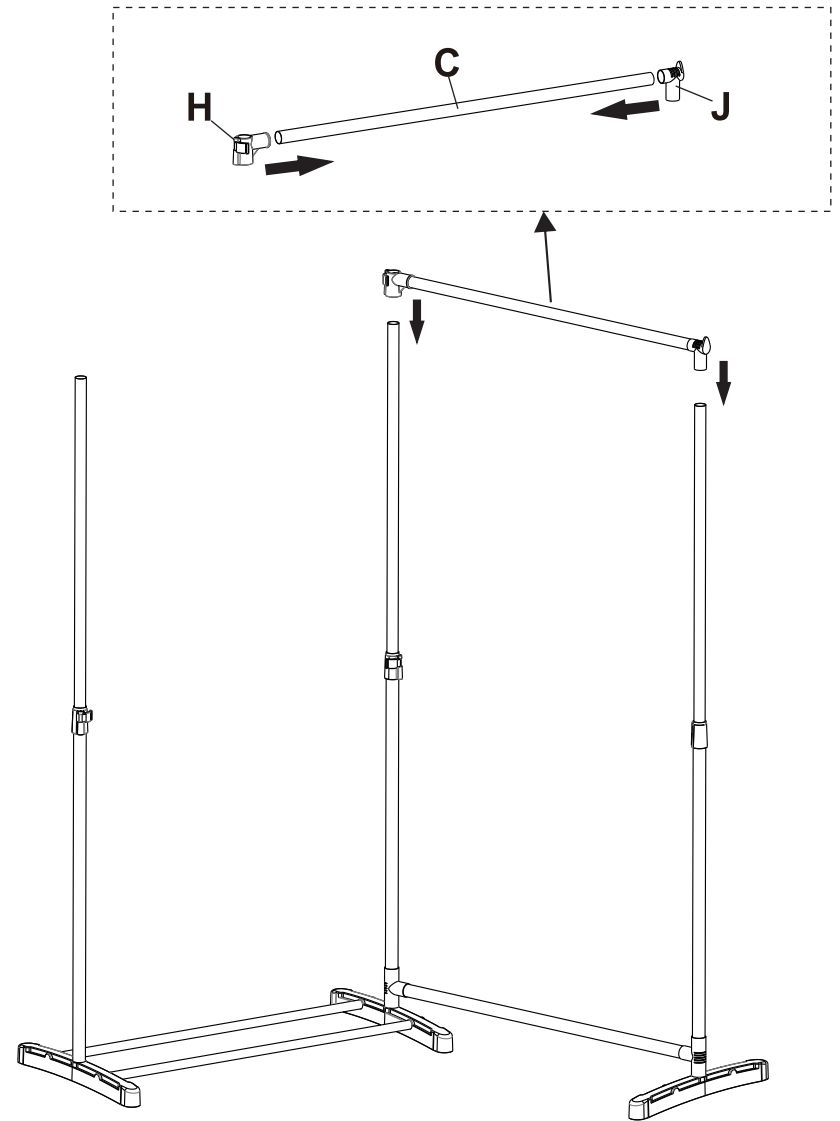



STEP 3  Gx3

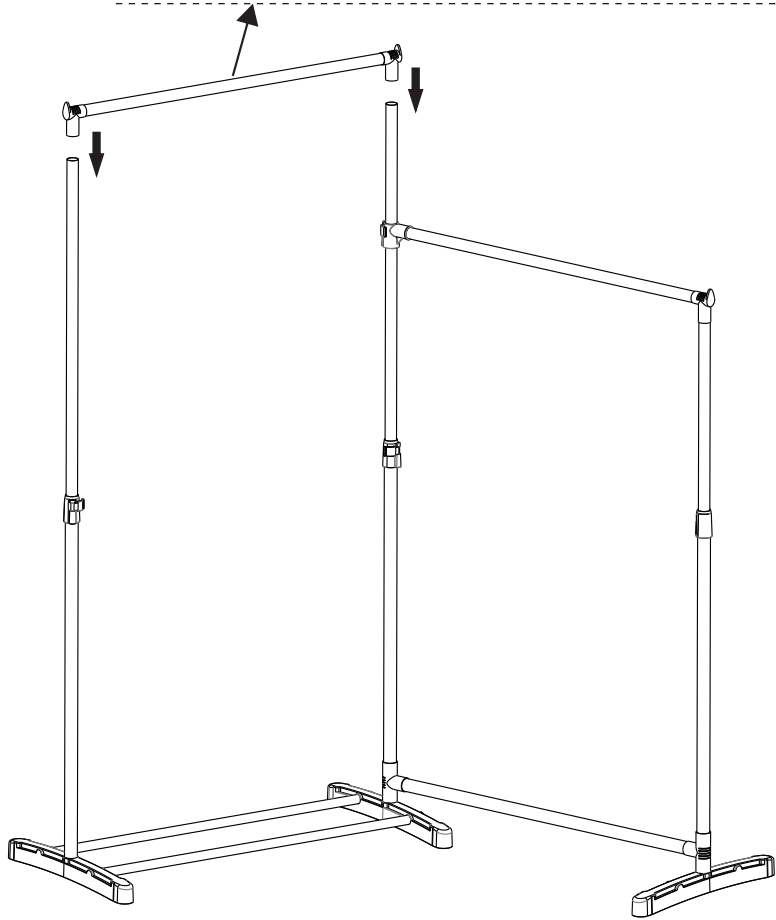
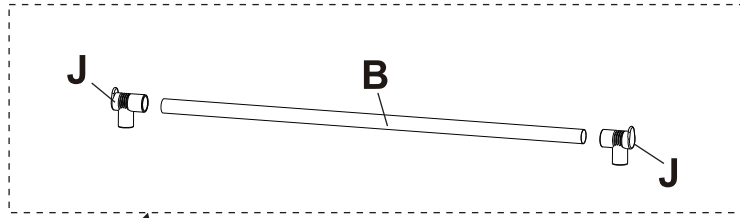


Install part C in part G prior to joining with part D

STEP 4  Hx1  Jx1



STEP 5  Jx2



STEP 6  Kx4  Lx2

