

Assembly Instructions

43430406 DRINKS TROLLEY

CARE INSTRUCTIONS:

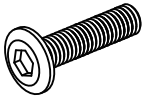
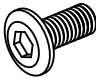



WIPE CLEAN WITH A SOFT DAMP CLOTH. NEVER USE SCOURERS, ABRASIVES OR CHEMICAL SOLVENTS. KEEP AWAY FROM MOISTURE AND DIRECT SUNLIGHT. STORE IN A DRY PLACE. FOR INDOOR USE ONLY.

WARNING:



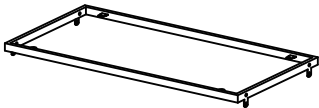



DO NOT STAND, SIT OR LEAN ON THE UNIT. DO NOT USE THIS UNIT AS A STEP LADDER. ENSURE THIS UNIT IS USED ONLY ON A FLAT SURFACE. DO NOT USE THIS UNIT UNLESS ALL BOLTS AND SCREWS ARE FIRMLY SECURED. DO NOT PLACE HOT OBJECTS SUCH AS COFFEE CUPS DIRECTLY ON THE SURFACE OF THIS FURNITURE ITEM. THIS ITEM IS FOR STORAGE PURPOSES ONLY. CONTAINS SMALL PARTS. IT IS TO BE ASSEMBLED BY AN ADULT. FAILURE TO FOLLOW THESE WARNINGS COULD RESULT IN SERIOUS INJURY.

MAXIMUM SAFE LOAD: TOP:5KG.

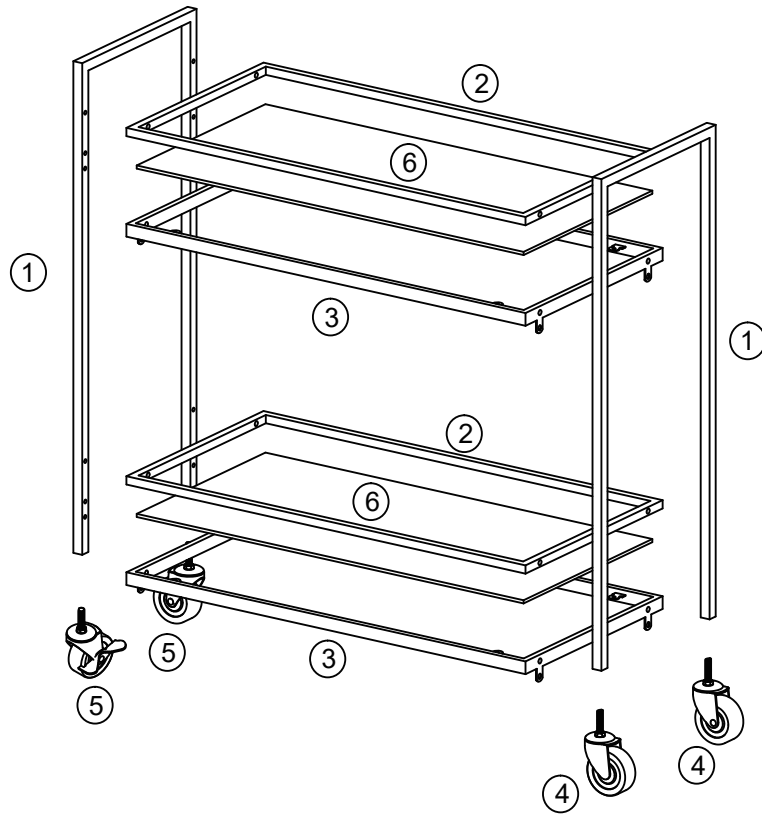
1 Hardware List

	A	6x20mm	16pcs		B	6x12mm	8pcs
	C	φ20mm	8pcs		D		1pc
	E	4mm	1pc				

2 Parts List

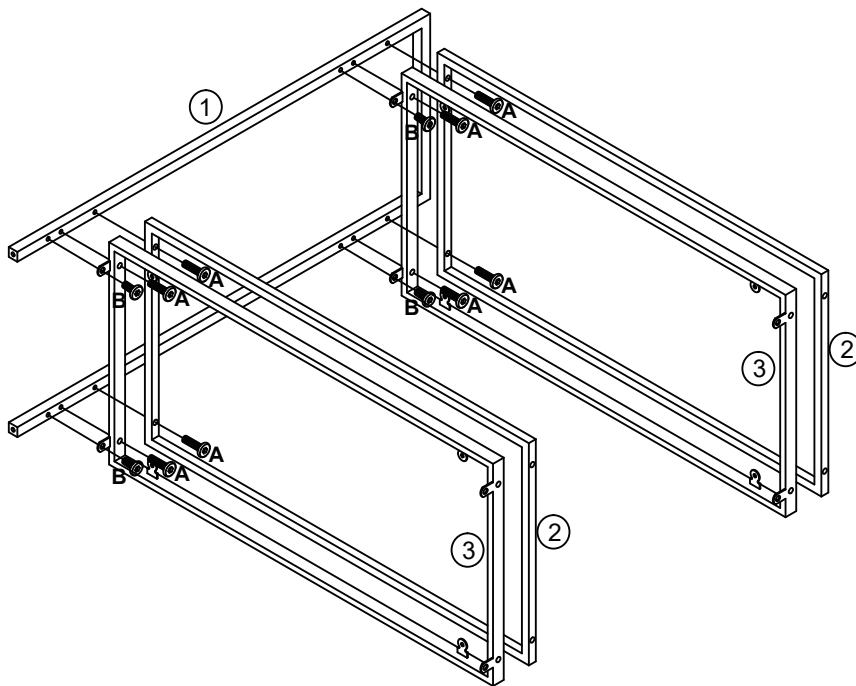
					
①	2pcs	②	2pcs	③	2pcs
					
④	2pcs	⑤	2pcs	⑥	2pcs

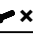

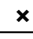
3

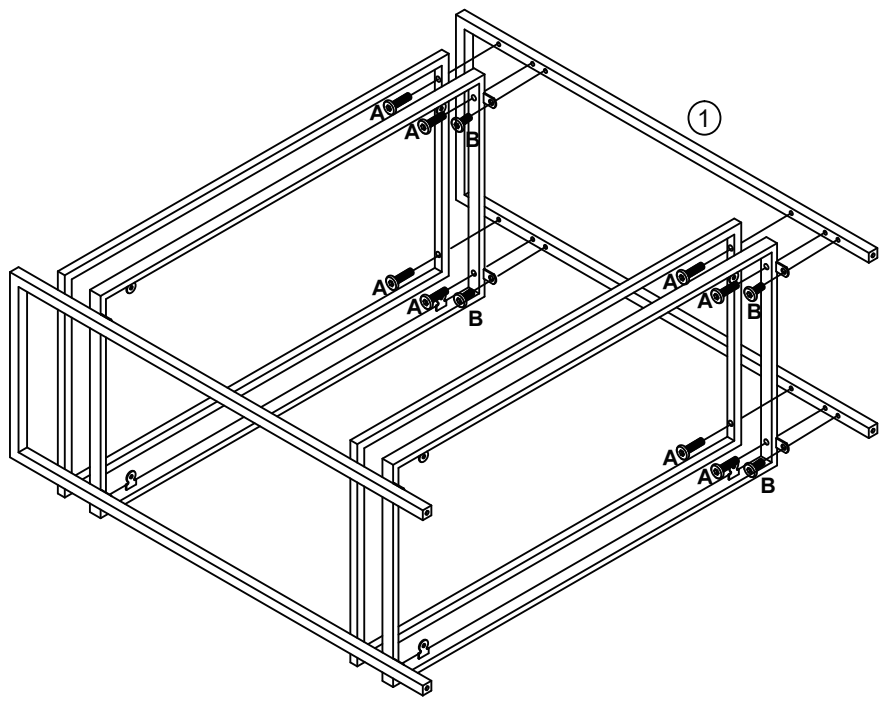



STEP 1

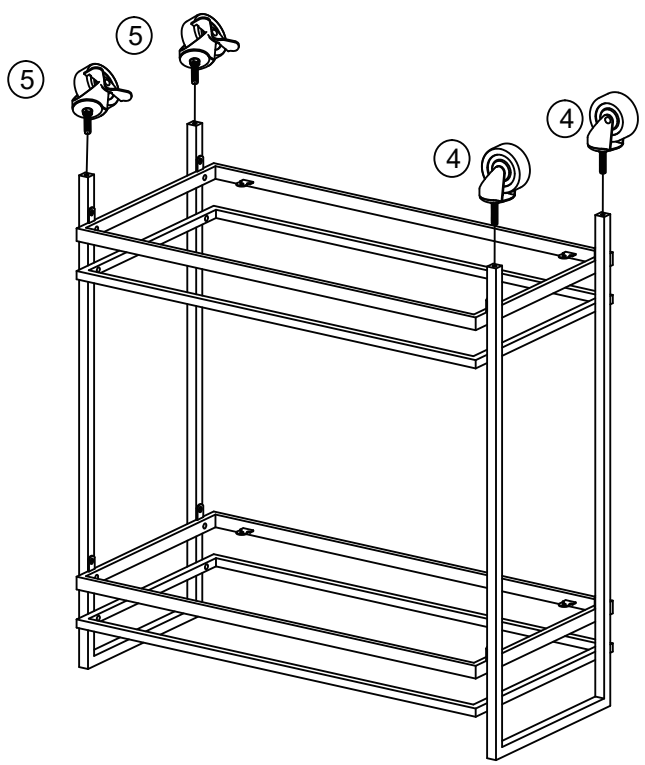
A - x 8 B - x 4 E - x 1

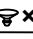


STEP 2 A -  x 8 B -  x 4 E -  x 1



STEP 3 D -  x 1



STEP 4 C- 8

