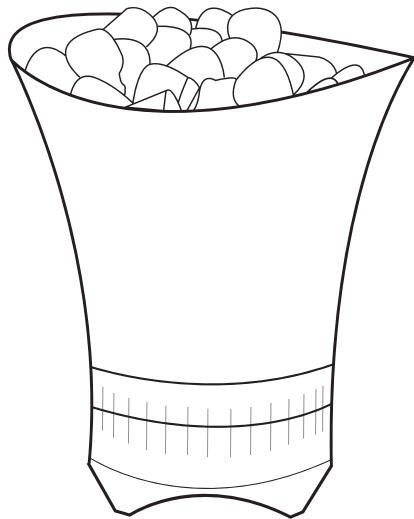


Size: 360(w) x 72(h) mm

anko

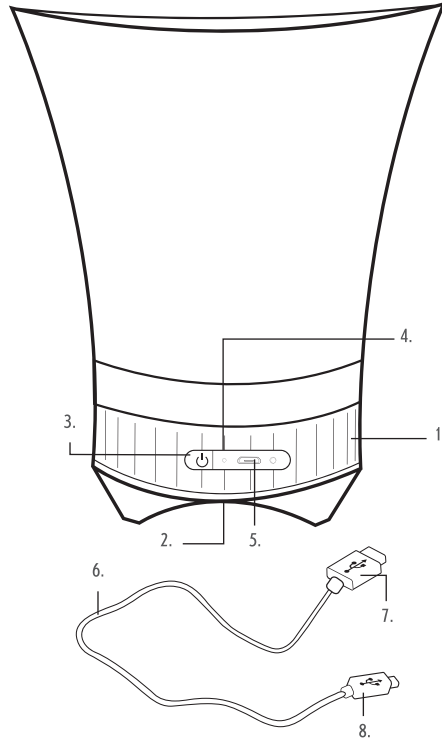
Bluetooth® Ice Bucket Speaker
Instruction Manual



K: 43430871 | T: 69728419
(Model: JLR-78975)



Product description



- 1, Ice Bucket with Bluetooth® Speaker Main Unit
- 2, Speaker
- 3, Power Button (On/Off/Play/Pause/Light Modes)
- 4, LED Indicator Light
- 5, Micro USB Charging Port
- 6, USB Charging Cable
- 7, USB Connector
- 8, Micro USB Connector

Specifications

Input: DC 5V/1A
Li-ion Battery 3.7V 1200 mAh
Playtime: Up to 6 hours
Charging Time: 3 Hours
Bluetooth Range: 10 Meters

Bluetooth Version: 5.3
Capacity: 4.6L
Micro USB Charging Cable Included
Colour Changing LED Mode

Instructions for Use

Charging the Battery

The speaker is fitted with a 3.7 V 1200 mAh battery (non-removable). It is recommended that the battery is fully charged before first use; this will take approx. 3 hours.
Connect the micro USB end of the USB charging cable into the micro USB charging port on the speaker and the other end to a compatible USB port.
Whilst charging, the LED indicator light will illuminate red. Once the battery has fully charged, the LED indicator light will switch off.
Carefully disconnect both ends of the USB charging cable and store it safely for future use.

- NOTE:**
- You must select a qualified charger from a regular manufacturer.
 - You must charge the Wireless speaker if it has been not used for more than 6 months.
- CAUTION:** The Micro USB charging cable included with this item is intended for use with this product. Only use the included Micro USB charging cable to charge this product.

Using the Ice Bucket with Bluetooth® Speaker

Basic Functionality

Turn on the speaker by pressing and holding the Power Button approx. 3 seconds. Pause a track by pressing the Power Button; press it again to resume the track. Press and hold the he Power Button approx. 3 seconds to turn the speaker off.

Bluetooth® Mode

Step 1: Once the speaker has been turned on, the LED indicator light will flash blue to signal that the speaker is ready to be paired with a Bluetooth compatible device.
Step 2: Search for the speaker using a Bluetooth compatible device. Select "anko43430871" and pair. Once a connection has been made, the speaker will play tone to signal that the devices are paired.
Step 3: To unpair or remove a Bluetooth compatible device from the speaker, turn off the Bluetooth function on the compatible device. The speaker can now be paired with a new compatible device.
Note: Once connected, volume can be controlled using the relevant controls on the Bluetooth compatible device.

Light Modes

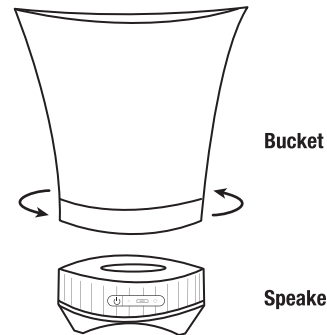
Double click the Power Button to switch Light Modes.

- Slow colour change
- Fast colour change
- Fixed colour (Blue, Red, Green, Purple, Light Blue, Yellow, White)
- Light off

Important Information about Water Resistant Operation

For proper water resistant operation, make sure the plastic jack cover of the unit is completely flush with the unit by pressing along the entire edge of the cover until it is completely and securely in place.

Detach the bucket from the unit for cleaning



- Ensure the speaker is fully removed from the unit before cleaning bucket.
- Turn the Bucket anti-clockwise from the Speaker.
- DO NOT clean unit with oily soaps or use chemicals or solvents.
- To clean the unit, wipe the case with a slightly moist, lint-free cloth.
- Do not use any cleaning fluids containing alcohol, ammonia or abrasives.
- Do not spray aerosol at or near the unit.
- Completely dry the Bucket before reinstallation to the Speaker Unit.

Troubleshooting

The speaker has no power.
Charge the speaker following the instructions in the section entitled 'Charging the Battery'.

The speaker has no sound.
The volume level is set too low.
Check that the volume level is set at an audible level and adjust accordingly.
Follow the instructions in the section entitled 'Bluetooth Mode'.

Unable to pair a Bluetooth device with the speaker.
The Bluetooth device is not compatible with the speaker.
Check that the Bluetooth device is compatible with the speaker and that the Bluetooth function is switched on.

- ⚠ Safety instructions for the Lithium battery and charging the product**
- The input voltage to the product is DC 5V 1A.
 - In order to charge the product in safe manner and reliable conditions, please only adopt certified appropriate charger/adaptor for charging the product.
 - Only charge the product at ambient temperatures between 10°C/50°F and 40°C/104 °F.
 - Do not heat above 70°C/158°F, eg. Do not expose to sunlight or throw into fire.
 - Switch off the product after use.
 - Please note that we won't take any responsibility for any wrong operation (eg. Voltage higher than 5V) as this may result in severe injury or loss of property, and we cannot control the operating process during the time the user using this product.
 - In extreme cases, abuse or misuse of Lithium battery pack can lead to explosion, heat generation, fire development or smoke development.

Keep All Relevant Information For Future Reference

Made in China

12 Month Warranty

Thank you for your purchase.
Your new product is warranted to be free from defects in materials and workmanship for the period stated above, from the date of purchase, provided that the product is used in accordance with accompanying recommendations or instructions where provided. This warranty is in addition to your rights under the Australian Consumer Law.
For New Zealand customers, this warranty is in addition to statutory rights observed under New Zealand legislation.
We will provide you with your choice of a refund, repair (where possible) or exchange (availability dependent) for this product if it becomes defective within the warranty period. The business will bear the reasonable expense of claiming the warranty.
This warranty will no longer apply where the defect is a result of alteration, accident, misuse, abuse or neglect.
Please retain your receipt as proof of purchase and contact our Customer Service Centre as listed below, for the entity you purchased this product from, for any difficulties with your product.
Warranty claims and claims for expense incurred in returning this product can be addressed to the respective Customer Service Centre.
Our goods come with guarantees that cannot be excluded under the Australian Consumer Law. You are entitled to a replacement or refund for a major failure and compensation for any other reason ably foreseeable loss or damage. You are also entitled to have the goods repaired or replaced if the goods fail to be of acceptable quality and the failure does not amount to a major failure.

Contact for Kmart purchases	Contact for Target purchases
Kmart Australia Ltd. C/- Customer Service Centre 690 Springvale Road, Mulgrave Vic 3170 Customer Service: 1800 124 125 (Australia) or 0800 945 995 (New Zealand) or via Customer Help at kmart.com.au	Target Australia Pty Ltd C/- Customer Service Centre 2 Kendall Street, Williams Landing, Vic, 3027 Customer Service: 1300 753 567 or via Customer Help at target.com.au/help/contact-us