

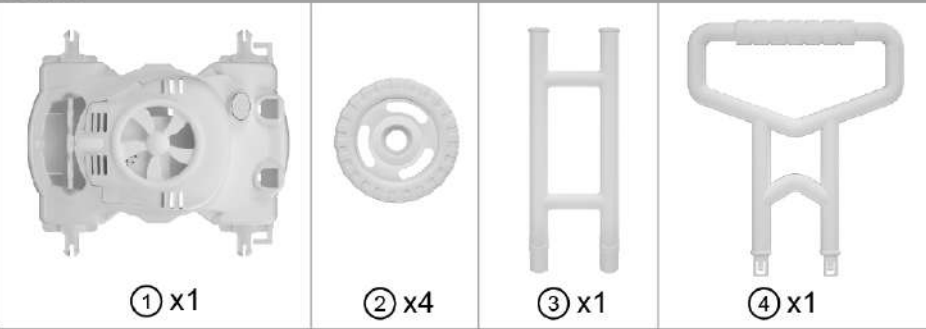
# SUPER BUBBLE MOWER

- INSTRUCTIONS -

3+  
YEARS



## PARTS:



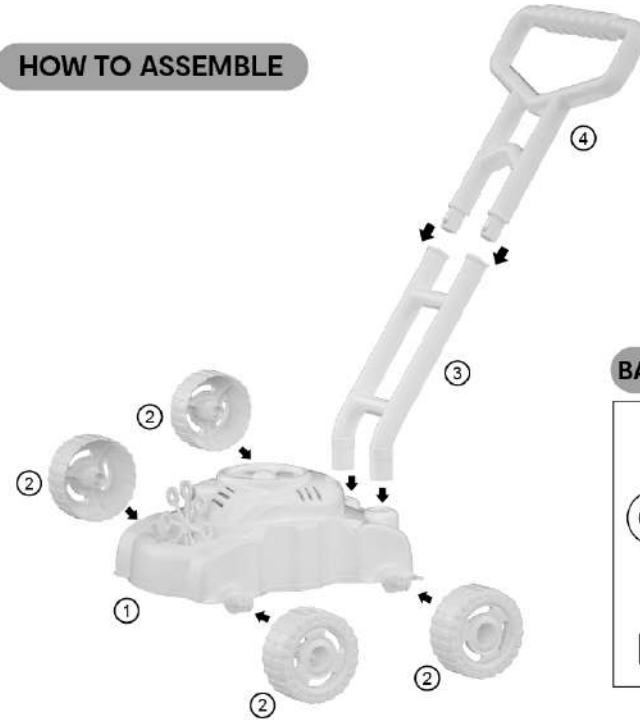
## HOW TO PLAY:



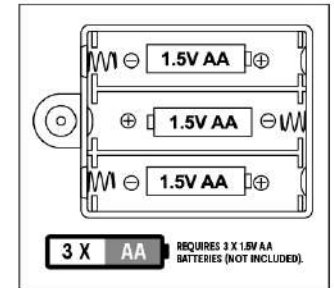
POUR BUBBLE SOLUTION INTO THE MOUTH OF MACHINE. IMPORTANT: ENSURE ENOUGH BUBBLE SOLUTION IS ADDED. DO NOT GO OVER THE FILL LINE.

PRESS ON/OFF BUTTON TO PLAY.

## HOW TO ASSEMBLE



## BATTERY INSTALLATION



## HOW TO CLEAN:



BEFORE AND AFTER EACH USE, TURN OFF MACHINE, POUR BUBBLE SOLUTION OUT.

POUR WARM WATER INTO DIPPING TRAY, DO NOT GO OVER THE FILL LINE, TURN ON MACHINE FOR 1 MINUTE TO RINSE THE WANDS.

POUR ALL THE WATER OUT.

**WARNING:** FOR SAFETY REASONS, REMOVE ALL TAGS, LABELS AND PLASTIC FASTENERS BEFORE GIVING THIS TOY TO YOUR CHILD.

**WARNING:** DON'T DRINK THE BUBBLE SOLUTION. NOT INTENDED FOR HUMAN CONSUMPTION. AVOID SWALLOWING THE BUBBLE SOLUTION. ADULT SUPERVISION REQUIRED. IF EYES GET IN CONTACT WITH BUBBLE SOLUTION, IMMEDIATELY FLUSH WITH PLENTY OF WATER. IF ANY IRRITATION OCCURS, SEEK MEDICAL ATTENTION IMMEDIATELY. IMPROPER USE CAN CAUSE STAINS ON CLOTHING. RECOMMENDED FOR OUTDOOR USE ONLY. DO NOT BLOW IN FACE, EYES OR HAIR. WASH HANDS THOROUGHLY AFTER USE.

**WARNING:** BATTERIES ARE TO BE INSERTED WITH THE CORRECT POLARITY (+ AND -). DO NOT MIX DIFFERENT TYPES OF BATTERIES OR NEW AND USED BATTERIES. NON-RECHARGEABLE BATTERIES ARE NOT TO BE RECHARGED. RECHARGEABLE BATTERIES ARE ONLY TO BE CHARGED UNDER ADULT SUPERVISION. THE SUPPLY TERMINALS ARE NOT TO BE SHORT-CIRCUITED. REMOVE BATTERIES FROM THE TOY WHEN NOT IN USE FOR AN EXTENDED TIME OR WHEN BATTERIES BECOME EXHAUSTED. BATTERY INSTALLATION BY AN ADULT IS REQUIRED. DISPOSE OF BATTERIES RESPONSIBLY. DO NOT DISPOSE OF IN FIRE.

**WARNING: CHOKING HAZARD**  
SMALL PARTS. NOT FOR CHILDREN UNDER 3 YEARS.

ADULT ASSEMBLY REQUIRED. PRODUCT MAY VARY SLIGHTLY FROM IMAGE SHOWN. PLEASE KEEP PACKAGING FOR FUTURE REFERENCE.

MADE IN CHINA

CUSTOMER SERVICE:

KMART AU: 1800 124 125  
KMART NZ: 0600 945 995  
TARGET AU: 1300 753 567

**CAUTION:** CONTAINS FRAGRANCES THAT MAY CAUSE ALLERGIES. PACKAGING IS NOT A TOY. REMOVE ALL PACKAGING BEFORE GIVING THE TOY TO CHILDREN. KEEP THIS INFORMATION FOR ANY POSSIBLE CORRESPONDENCE IN FUTURE.

**CAUTION:** PROLONGED CONTACT CAN CAUSE SLIGHT IRRITATION. WASH HANDS AND AFFECTED SKIN THOROUGHLY WITH SOAP AND WATER AFTER USE.

K: 43-434-800  
T: 70-004-267