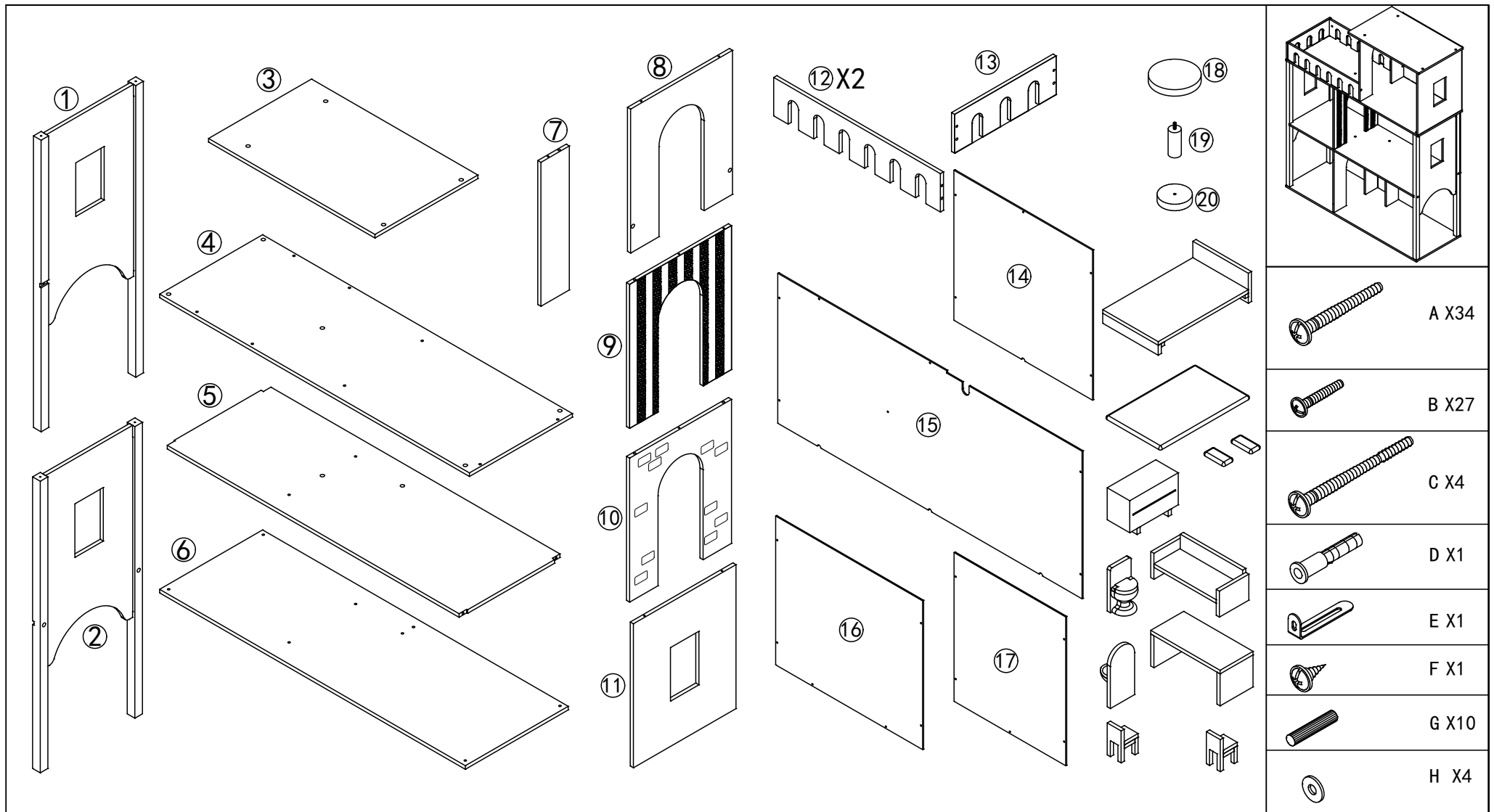


# Assembly Instructions for Fashion Dollhouse

Keycode no.: 43441587



**⚠ CAUTION:**

ADULT ASSEMBLY IS REQUIRED. UNASSEMBLED PARTS CONTAIN SCREWS WITH FUNCTIONAL SHARP POINTS, PLEASE KEEP UNASSEMBLED PARTS AWAY FROM SMALL CHILDREN. ADULT SUPERVISION IS RECOMMENDED. THIS IS A TOY, INTENDED FOR ROLE PLAY ONLY. PLEASE CHECK CONDITION OF ITEM REGULARLY, AS SCREWS MAY LOOSEN WITH USE OVER TIME. TIGHTEN SCREW FITTINGS IF NECESSARY.

**WARNING:** PLEASE SECURE THIS PRODUCT WITH THE SUPPLIED WALL FIXING. IT IS STRONGLY RECOMMENDED THAT THIS PRODUCT IS PERMANENTLY FIXED TO THE WALL. PLEASE SEEK PROFESSIONAL ADVICE IF YOU ARE IN DOUBT OF WHAT FIXING DEVICE TO USE. REGULARLY CHECK THAT THE ANCHOR IS SECURELY FASTENED.

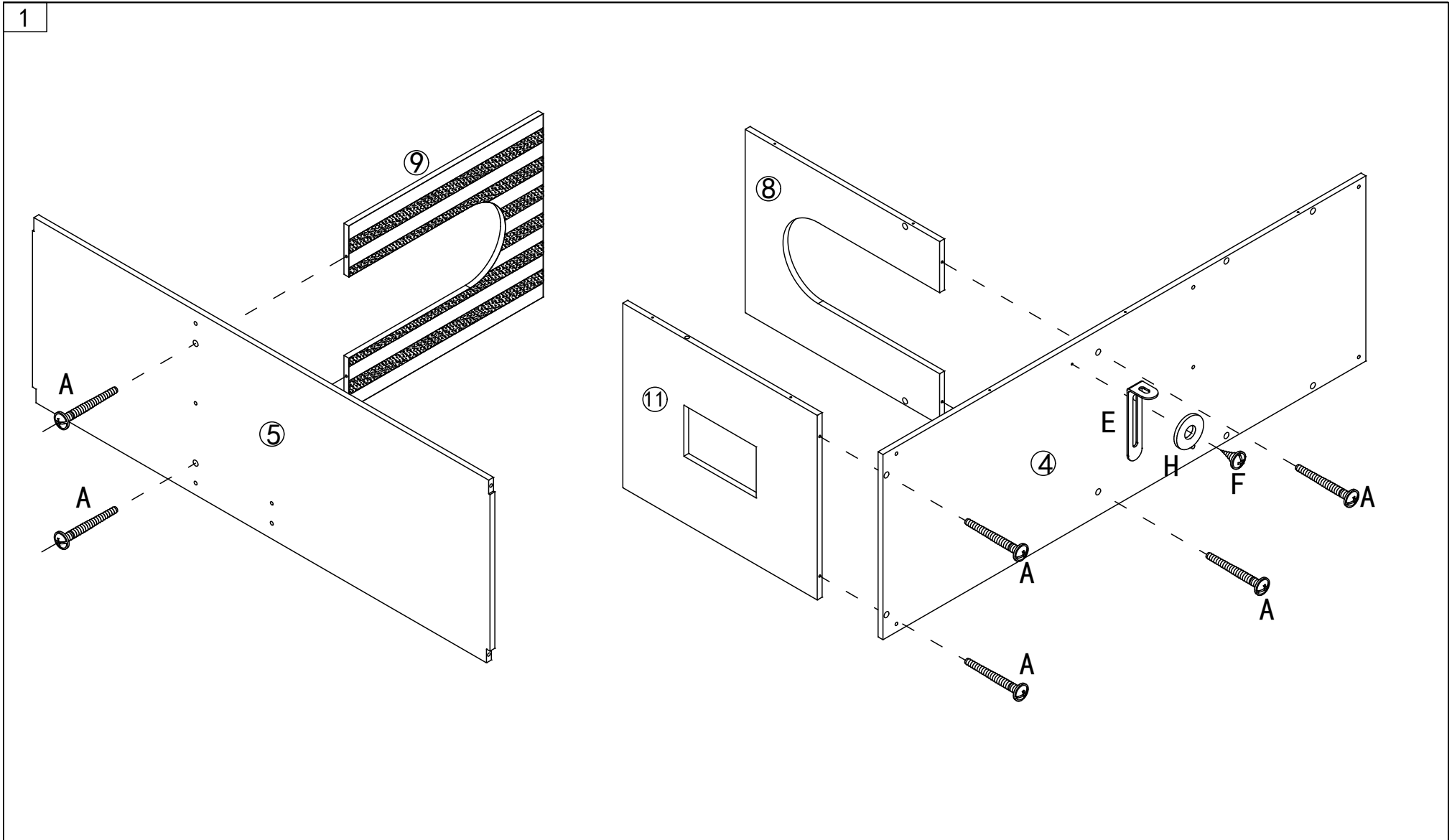
**CAUTION:** FOR YOUR SAFETY WHEN ATTACHING THE ANCHOR FIXINGS, PLEASE CHECK ANY ELECTRICAL WIRES OR PLUMBING INSIDE THE WALL BEFORE DRILLING ANY HOLES. IF UNSURE, CONSULT AN EXPERT.

**⚠ WARNING**

CHOKING HAZARD-SMALL PARTS.  
NOT SUITABLE FOR CHILDREN UNDER 3 YEARS.

# Assembly Instructions for Fashion Dollhouse

Keycode no.: 43441587



## CAUTION:

ADULT ASSEMBLY IS REQUIRED. UNASSEMBLED PARTS CONTAIN SCREWS WITH FUNCTIONAL SHARP POINTS, PLEASE KEEP UNASSEMBLED PARTS AWAY FROM SMALL CHILDREN. ADULT SUPERVISION IS RECOMMENDED. THIS IS A TOY, INTENDED FOR ROLE PLAY ONLY. PLEASE CHECK CONDITION OF ITEM REGULARLY, AS SCREWS MAY LOOSEN WITH USE OVER TIME. TIGHTEN SCREW FITTINGS IF NECESSARY.

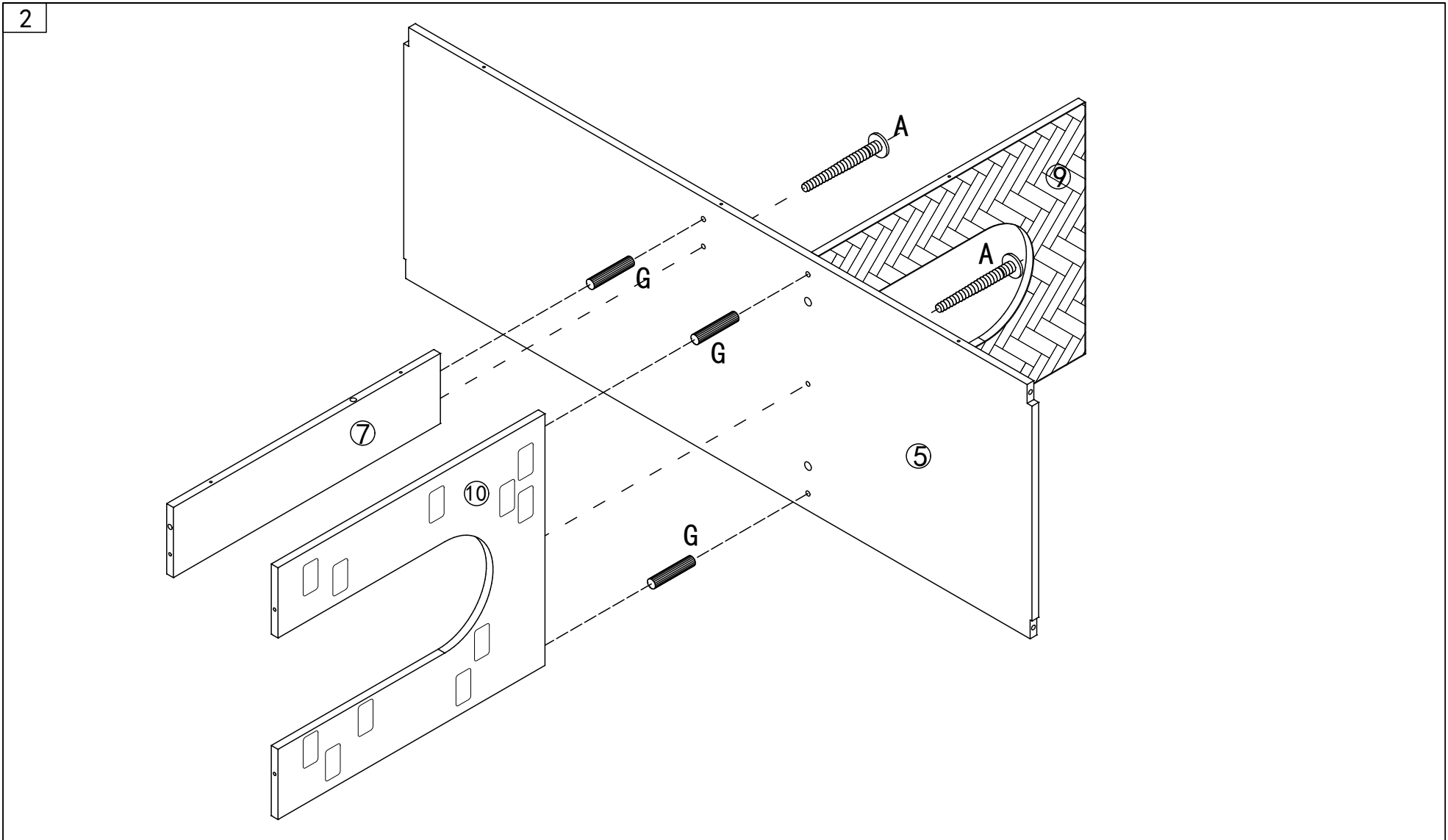
**WARNING:** PLEASE SECURE THIS PRODUCT WITH THE SUPPLIED WALL FIXING. IT IS STRONGLY RECOMMENDED THAT THIS PRODUCT IS PERMANENTLY FIXED TO THE WALL. PLEASE SEEK PROFESSIONAL ADVICE IF YOU ARE IN DOUBT OF WHAT FIXING DEVICE TO USE. REGULARLY CHECK THAT THE ANCHOR IS SECURELY FASTENED.

**CAUTION:** FOR YOUR SAFETY WHEN ATTACHING THE ANCHOR FIXINGS, PLEASE CHECK ANY ELECTRICAL WIRES OR PLUMBING INSIDE THE WALL BEFORE DRILLING ANY HOLES. IF UNSURE, CONSULT AN EXPERT.

 **WARNING**  
CHOKING HAZARD-SMALL PARTS.  
NOT SUITABLE FOR CHILDREN UNDER 3 YEARS.

# Assembly Instructions for Fashion Dollhouse

Keycode no.: 43441587



## CAUTION:

ADULT ASSEMBLY IS REQUIRED. UNASSEMBLED PARTS CONTAIN SCREWS WITH FUNCTIONAL SHARP POINTS, PLEASE KEEP UNASSEMBLED PARTS AWAY FROM SMALL CHILDREN. ADULT SUPERVISION IS RECOMMENDED. THIS IS A TOY, INTENDED FOR ROLE PLAY ONLY. PLEASE CHECK CONDITION OF ITEM REGULARLY, AS SCREWS MAY LOOSEN WITH USE OVER TIME. TIGHTEN SCREW FITTINGS IF NECESSARY.

**WARNING:** PLEASE SECURE THIS PRODUCT WITH THE SUPPLIED WALL FIXING. IT IS STRONGLY RECOMMENDED THAT THIS PRODUCT IS PERMANENTLY FIXED TO THE WALL. PLEASE SEEK PROFESSIONAL ADVICE IF YOU ARE IN DOUBT OF WHAT FIXING DEVICE TO USE. REGULARLY CHECK THAT THE ANCHOR IS SECURELY FASTENED.

**CAUTION:** FOR YOUR SAFETY WHEN ATTACHING THE ANCHOR FIXINGS, PLEASE CHECK ANY ELECTRICAL WIRES OR PLUMBING INSIDE THE WALL BEFORE DRILLING ANY HOLES. IF UNSURE, CONSULT AN EXPERT.

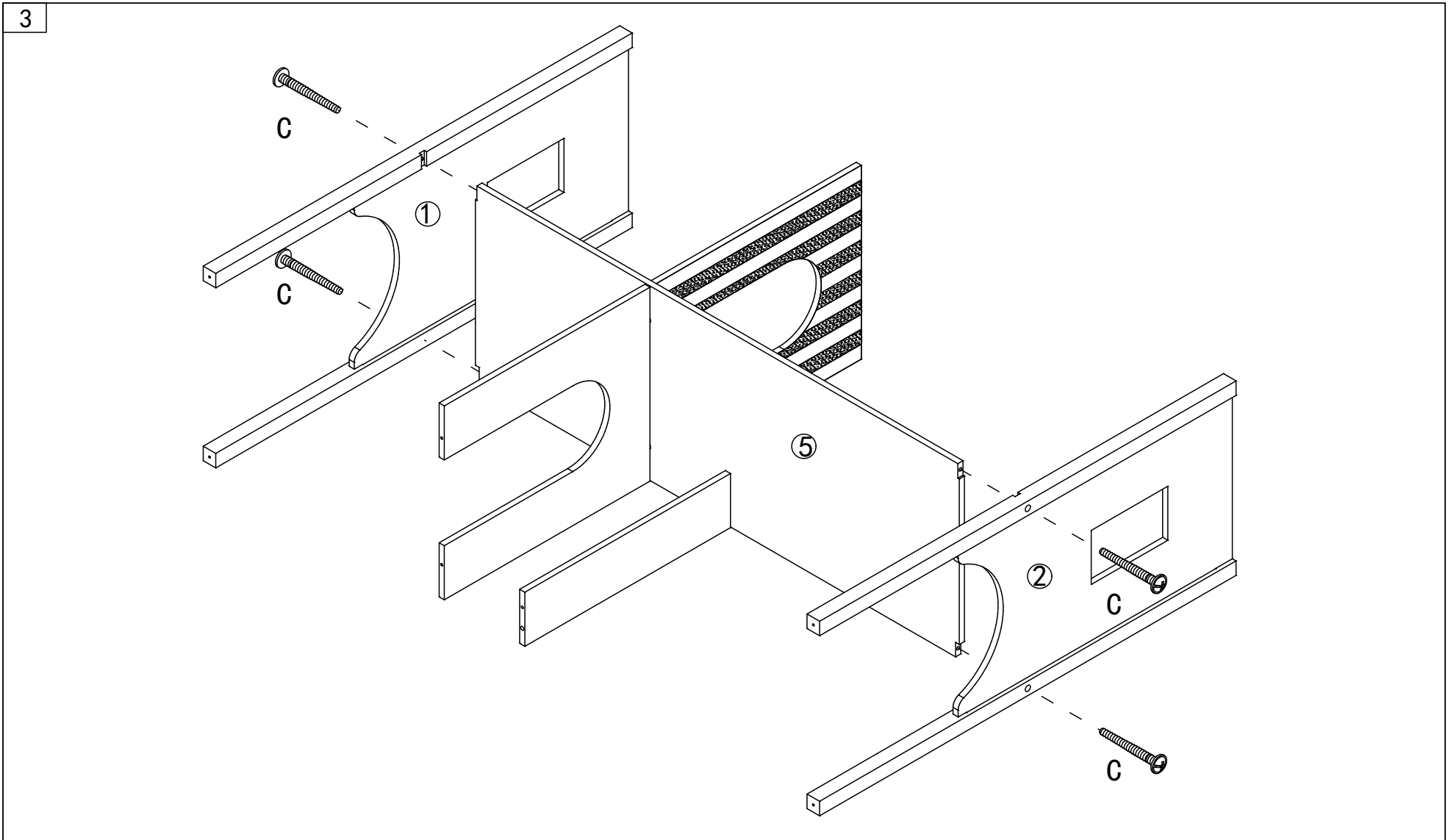


## WARNING

CHOKING HAZARD-SMALL PARTS.  
NOT SUITABLE FOR CHILDREN UNDER 3 YEARS.

# Assembly Instructions for Fashion Dollhouse

Keycode no.: 43441587



## CAUTION:

ADULT ASSEMBLY IS REQUIRED. UNASSEMBLED PARTS CONTAIN SCREWS WITH FUNCTIONAL SHARP POINTS, PLEASE KEEP UNASSEMBLED PARTS AWAY FROM SMALL CHILDREN. ADULT SUPERVISION IS RECOMMENDED. THIS IS A TOY, INTENDED FOR ROLE PLAY ONLY. PLEASE CHECK CONDITION OF ITEM REGULARLY, AS SCREWS MAY LOOSEN WITH USE OVER TIME. TIGHTEN SCREW FITTINGS IF NECESSARY.

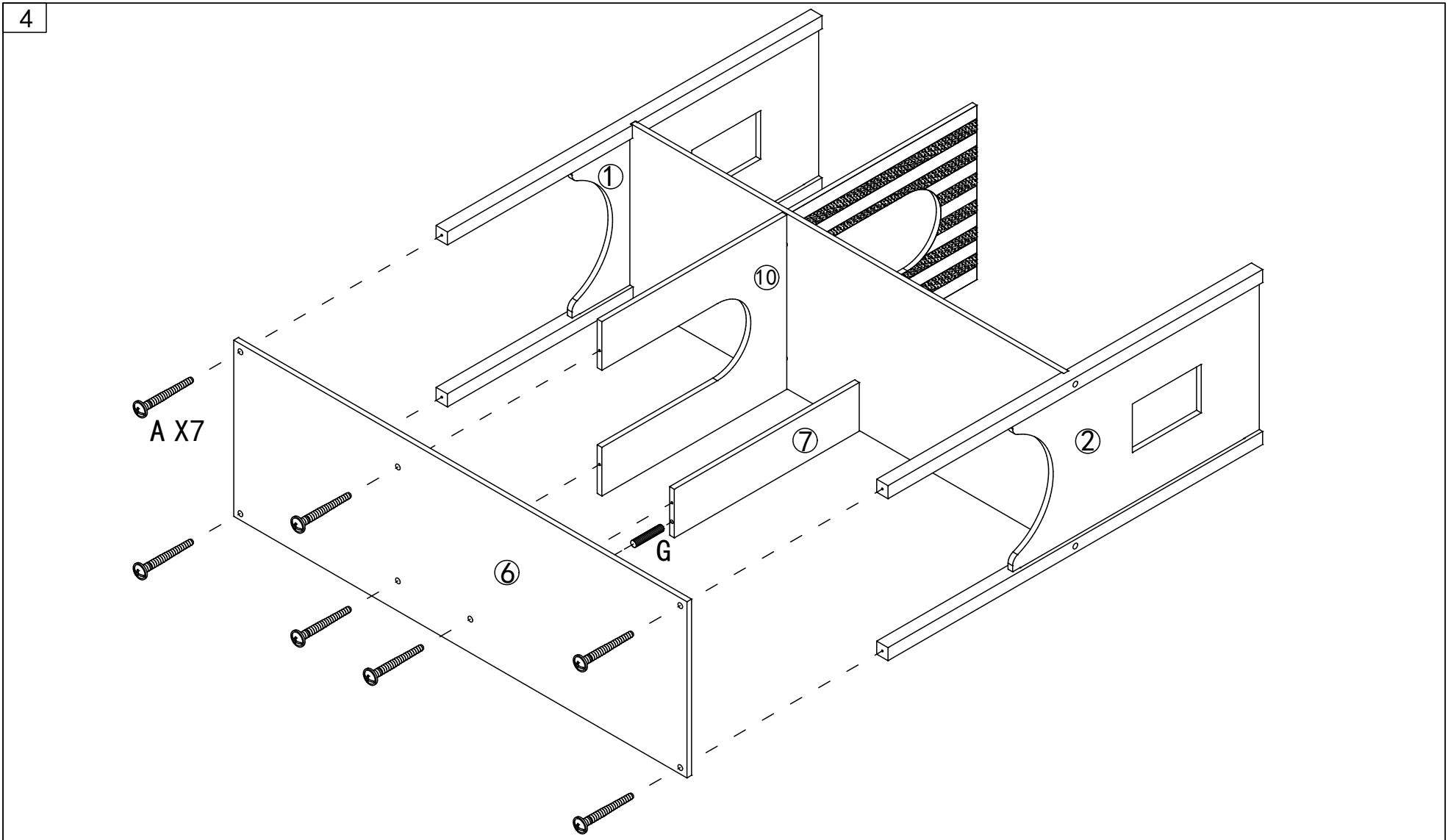
**WARNING:** PLEASE SECURE THIS PRODUCT WITH THE SUPPLIED WALL FIXING. IT IS STRONGLY RECOMMENDED THAT THIS PRODUCT IS PERMANENTLY FIXED TO THE WALL. PLEASE SEEK PROFESSIONAL ADVICE IF YOU ARE IN DOUBT OF WHAT FIXING DEVICE TO USE. REGULARLY CHECK THAT THE ANCHOR IS SECURELY FASTENED.

**CAUTION:** FOR YOUR SAFETY WHEN ATTACHING THE ANCHOR FIXINGS, PLEASE CHECK ANY ELECTRICAL WIRES OR PLUMBING INSIDE THE WALL BEFORE DRILLING ANY HOLES. IF UNSURE, CONSULT AN EXPERT.

 **WARNING**  
CHOKING HAZARD-SMALL PARTS.  
NOT SUITABLE FOR CHILDREN UNDER 3 YEARS.

# Assembly Instructions for Fashion Dollhouse

Keycode no.: 43441587



## CAUTION:

ADULT ASSEMBLY IS REQUIRED. UNASSEMBLED PARTS CONTAIN SCREWS WITH FUNCTIONAL SHARP POINTS, PLEASE KEEP UNASSEMBLED PARTS AWAY FROM SMALL CHILDREN. ADULT SUPERVISION IS RECOMMENDED. THIS IS A TOY, INTENDED FOR ROLE PLAY ONLY. PLEASE CHECK CONDITION OF ITEM REGULARLY, AS SCREWS MAY LOOSEN WITH USE OVER TIME. TIGHTEN SCREW FITTINGS IF NECESSARY.

**WARNING:** PLEASE SECURE THIS PRODUCT WITH THE SUPPLIED WALL FIXING. IT IS STRONGLY RECOMMENDED THAT THIS PRODUCT IS PERMANENTLY FIXED TO THE WALL. PLEASE SEEK PROFESSIONAL ADVICE IF YOU ARE IN DOUBT OF WHAT FIXING DEVICE TO USE. REGULARLY CHECK THAT THE ANCHOR IS SECURELY FASTENED.

**CAUTION:** FOR YOUR SAFETY WHEN ATTACHING THE ANCHOR FIXINGS, PLEASE CHECK ANY ELECTRICAL WIRES OR PLUMBING INSIDE THE WALL BEFORE DRILLING ANY HOLES. IF UNSURE, CONSULT AN EXPERT.

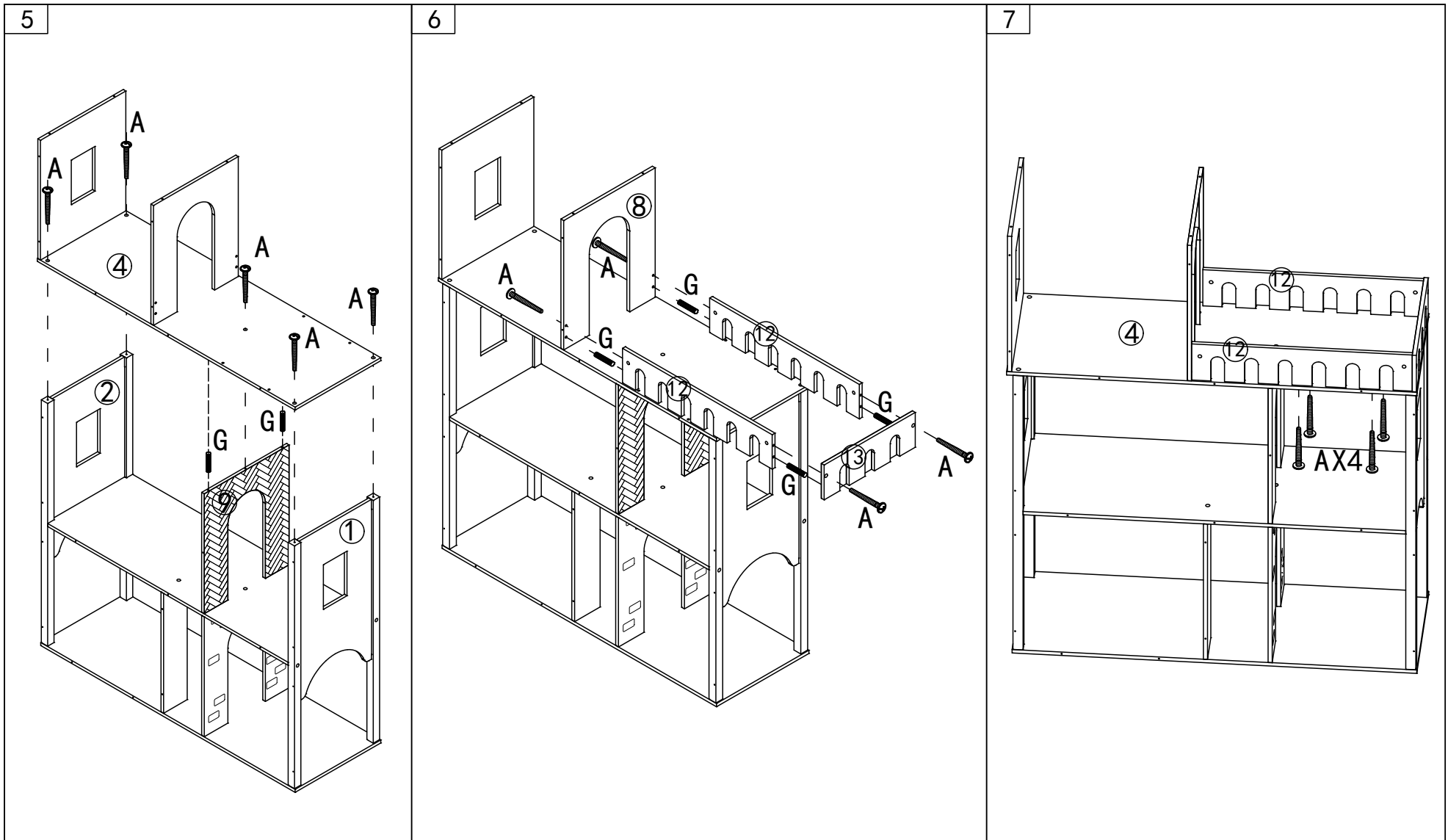


## WARNING

CHOKING HAZARD-SMALL PARTS.  
NOT SUITABLE FOR CHILDREN UNDER 3 YEARS.

# Assembly Instructions for Fashion Dollhouse

Keycode no.: 43441587



**⚠ CAUTION:**

ADULT ASSEMBLY IS REQUIRED. UNASSEMBLED PARTS CONTAIN SCREWS WITH FUNCTIONAL SHARP POINTS, PLEASE KEEP UNASSEMBLED PARTS AWAY FROM SMALL CHILDREN. ADULT SUPERVISION IS RECOMMENDED. THIS IS A TOY, INTENDED FOR ROLE PLAY ONLY. PLEASE CHECK CONDITION OF ITEM REGULARLY, AS SCREWS MAY LOOSEN WITH USE OVER TIME. TIGHTEN SCREW FITTINGS IF NECESSARY.

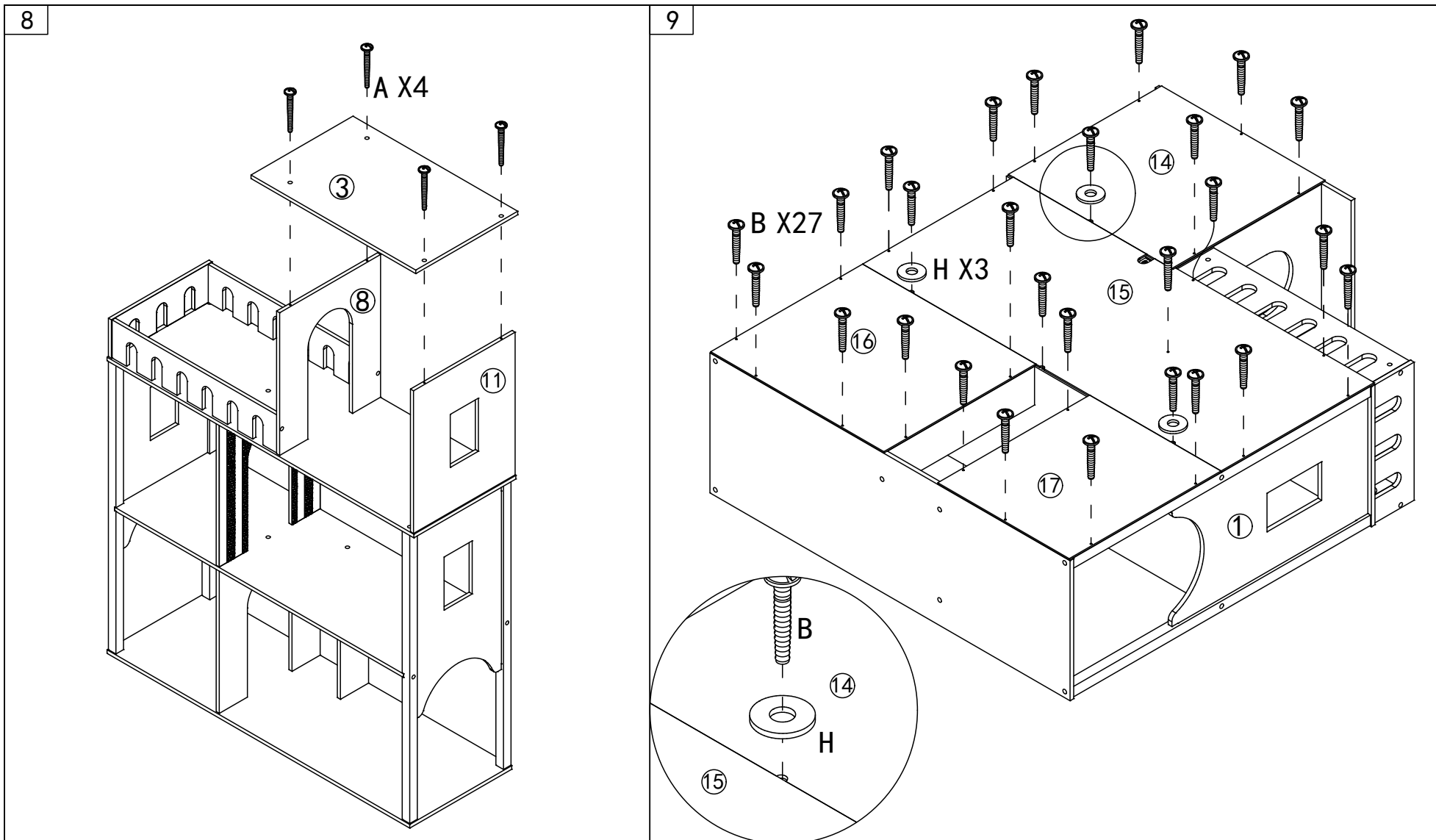
**WARNING:** PLEASE SECURE THIS PRODUCT WITH THE SUPPLIED WALL FIXING. IT IS STRONGLY RECOMMENDED THAT THIS PRODUCT IS PERMANENTLY FIXED TO THE WALL. PLEASE SEEK PROFESSIONAL ADVICE IF YOU ARE IN DOUBT OF WHAT FIXING DEVICE TO USE. REGULARLY CHECK THAT THE ANCHOR IS SECURELY FASTENED.

**CAUTION:** FOR YOUR SAFETY WHEN ATTACHING THE ANCHOR FIXINGS, PLEASE CHECK ANY ELECTRICAL WIRES OR PLUMBING INSIDE THE WALL BEFORE DRILLING ANY HOLES. IF UNSURE, CONSULT AN EXPERT.

**⚠ WARNING**  
CHOKING HAZARD-SMALL PARTS.  
NOT SUITABLE FOR CHILDREN UNDER 3 YEARS.

# Assembly Instructions for Fashion Dollhouse

Keycode no.: 43441587



**⚠ CAUTION:**

ADULT ASSEMBLY IS REQUIRED. UNASSEMBLED PARTS CONTAIN SCREWS WITH FUNCTIONAL SHARP POINTS, PLEASE KEEP UNASSEMBLED PARTS AWAY FROM SMALL CHILDREN. ADULT SUPERVISION IS RECOMMENDED. THIS IS A TOY, INTENDED FOR ROLE PLAY ONLY. PLEASE CHECK CONDITION OF ITEM REGULARLY, AS SCREWS MAY LOOSEN WITH USE OVER TIME. TIGHTEN SCREW FITTINGS IF NECESSARY.

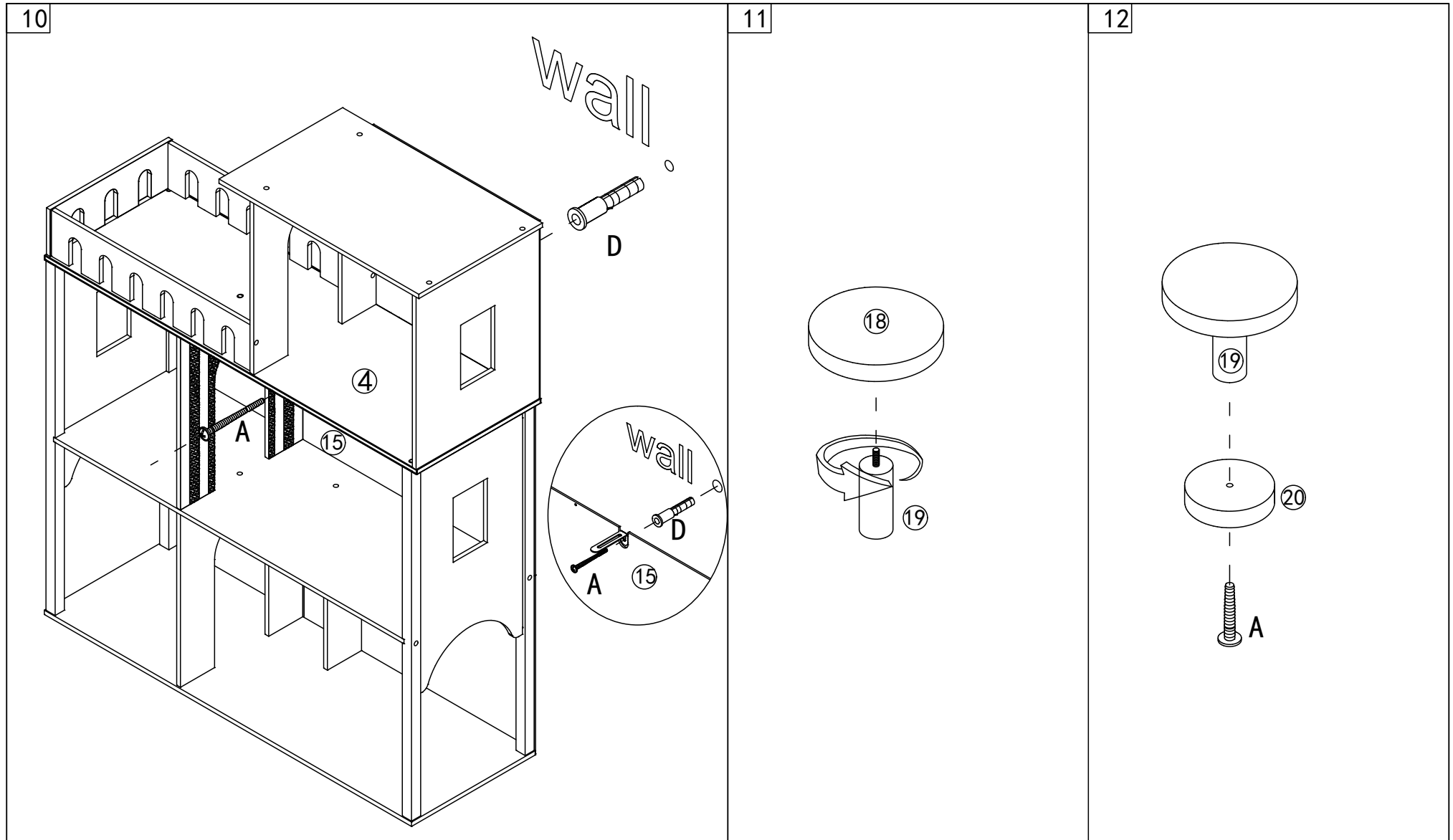
**WARNING:** PLEASE SECURE THIS PRODUCT WITH THE SUPPLIED WALL FIXING. IT IS STRONGLY RECOMMENDED THAT THIS PRODUCT IS PERMANENTLY FIXED TO THE WALL. PLEASE SEEK PROFESSIONAL ADVICE IF YOU ARE IN DOUBT OF WHAT FIXING DEVICE TO USE. REGULARLY CHECK THAT THE ANCHOR IS SECURELY FASTENED.

**CAUTION:** FOR YOUR SAFETY WHEN ATTACHING THE ANCHOR FIXINGS, PLEASE CHECK ANY ELECTRICAL WIRES OR PLUMBING INSIDE THE WALL BEFORE DRILLING ANY HOLES. IF UNSURE, CONSULT AN EXPERT.

**⚠ WARNING**  
CHOKING HAZARD-SMALL PARTS.  
NOT SUITABLE FOR CHILDREN UNDER 3 YEARS.

# Assembly Instructions for Fashion Dollhouse

Keycode no.: 43441587



**⚠ CAUTION:**

ADULT ASSEMBLY IS REQUIRED. UNASSEMBLED PARTS CONTAIN SCREWS WITH FUNCTIONAL SHARP POINTS, PLEASE KEEP UNASSEMBLED PARTS AWAY FROM SMALL CHILDREN. ADULT SUPERVISION IS RECOMMENDED. THIS IS A TOY, INTENDED FOR ROLE PLAY ONLY. PLEASE CHECK CONDITION OF ITEM REGULARLY, AS SCREWS MAY LOOSEN WITH USE OVER TIME. TIGHTEN SCREW FITTINGS IF NECESSARY.

**WARNING:** PLEASE SECURE THIS PRODUCT WITH THE SUPPLIED WALL FIXING. IT IS STRONGLY RECOMMENDED THAT THIS PRODUCT IS PERMANENTLY FIXED TO THE WALL. PLEASE SEEK PROFESSIONAL ADVICE IF YOU ARE IN DOUBT OF WHAT FIXING DEVICE TO USE. REGULARLY CHECK THAT THE ANCHOR IS SECURELY FASTENED.

**CAUTION:** FOR YOUR SAFETY WHEN ATTACHING THE ANCHOR FIXINGS, PLEASE CHECK ANY ELECTRICAL WIRES OR PLUMBING INSIDE THE WALL BEFORE DRILLING ANY HOLES. IF UNSURE, CONSULT AN EXPERT.

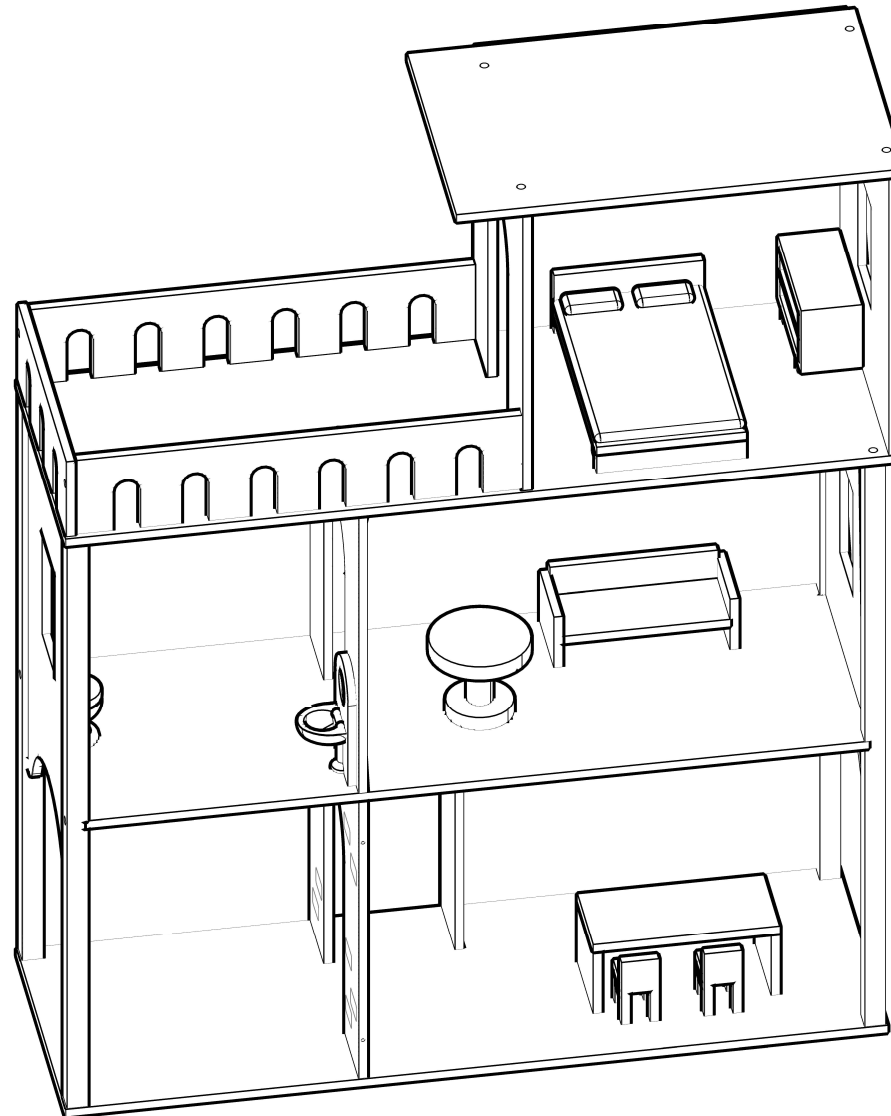
**⚠ WARNING**  
CHOKING HAZARD-SMALL PARTS.  
NOT SUITABLE FOR CHILDREN UNDER 3 YEARS.



# Assembly Instructions for Fashion Dollhouse

Keycode no.: 43441587

13



**⚠ CAUTION:**

ADULT ASSEMBLY IS REQUIRED. UNASSEMBLED PARTS CONTAIN SCREWS WITH FUNCTIONAL SHARP POINTS, PLEASE KEEP UNASSEMBLED PARTS AWAY FROM SMALL CHILDREN. ADULT SUPERVISION IS RECOMMENDED. THIS IS A TOY, INTENDED FOR ROLE PLAY ONLY. PLEASE CHECK CONDITION OF ITEM REGULARLY, AS SCREWS MAY LOOSEN WITH USE OVER TIME. TIGHTEN SCREW FITTINGS IF NECESSARY.

**WARNING:** PLEASE SECURE THIS PRODUCT WITH THE SUPPLIED WALL FIXING. IT IS STRONGLY RECOMMENDED THAT THIS PRODUCT IS PERMANENTLY FIXED TO THE WALL. PLEASE SEEK PROFESSIONAL ADVICE IF YOU ARE IN DOUBT OF WHAT FIXING DEVICE TO USE. REGULARLY CHECK THAT THE ANCHOR IS SECURELY FASTENED.

**CAUTION:** FOR YOUR SAFETY WHEN ATTACHING THE ANCHOR FIXINGS, PLEASE CHECK ANY ELECTRICAL WIRES OR PLUMBING INSIDE THE WALL BEFORE DRILLING ANY HOLES. IF UNSURE, CONSULT AN EXPERT.

**⚠ WARNING**  
CHOKING HAZARD-SMALL PARTS.  
NOT SUITABLE FOR CHILDREN UNDER 3 YEARS.