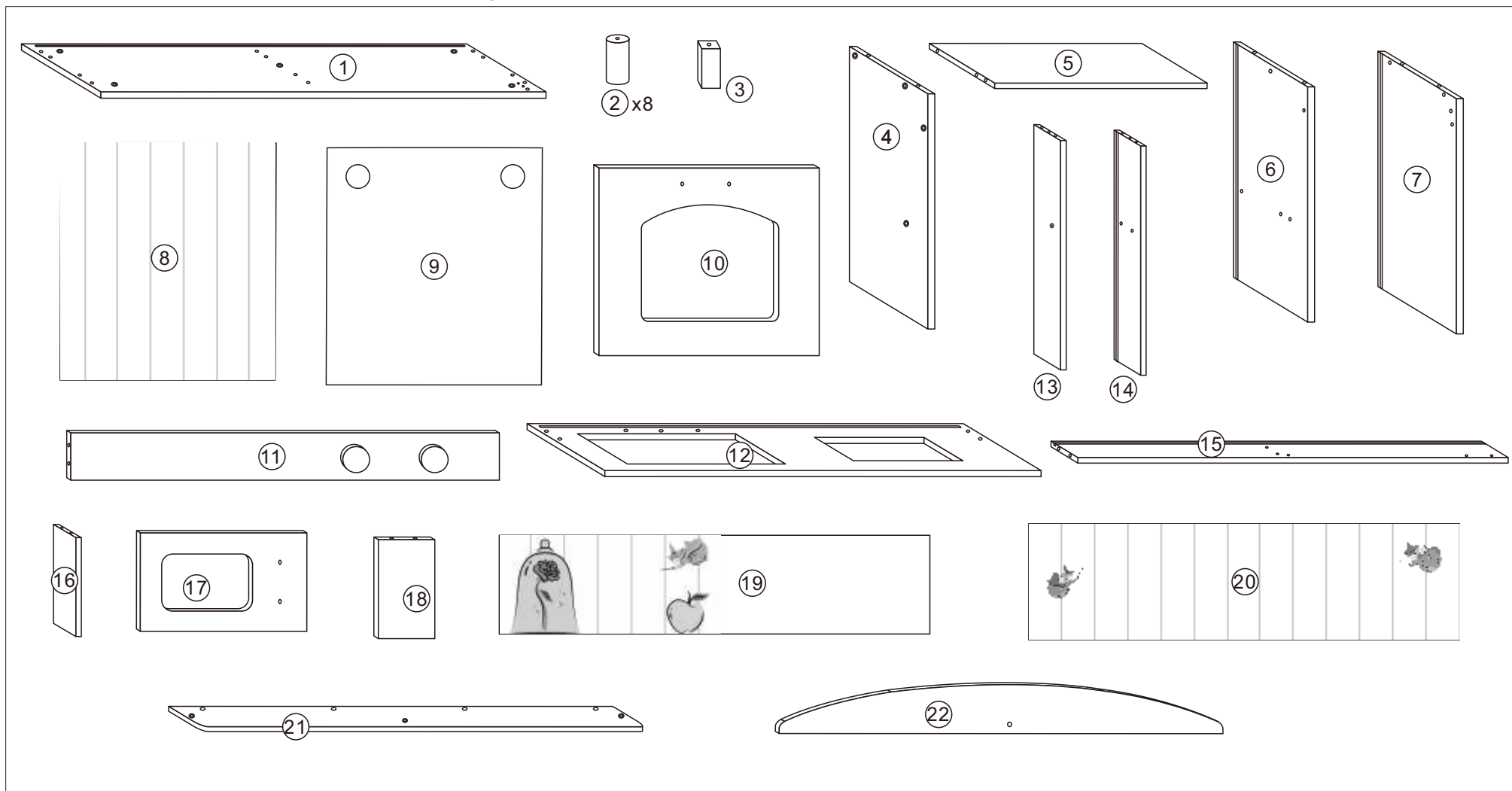


Assembly Instructions for Princess Kitchen

Keycode no.: 43441655



CAUTION:

ADULT ASSEMBLY IS REQUIRED. HARDWARE CONTAINS SCREWS WITH FUNCTIONAL SHARP POINTS. KEEP UNASSEMBLED PARTS OUT OF REACH OF SMALL CHILDREN.

WARNING: THE INSTRUCTION MANUAL HAS TO BE KEPT SINCE IT CONTAINS IMPORTANT INFORMATION.

CAUTION: PLEASE CHECK CONDITION OF PRODUCT REGULARLY, AS SCREWS MAY LOOSEN WITH USE OVER TIME. TIGHTEN SCREW FITTINGS IF NECESSARY. DISCONTINUE USE OF THE ITEM IF EXCESSIVE WEAR AND TEAR IS FOUND.

WARNING: BATTERIES ARE TO BE INSERTED WITH THE CORRECT POLARITY (+ and -). DO NOT MIX DIFFERENT TYPES OF BATTERIES OR NEW AND USED BATTERIES. NON-RECHARGEABLE BATTERIES ARE NOT TO BE RECHARGED. RECHARGEABLE BATTERIES SHOULD BE CHARGED UNDER ADULT SUPERVISION. RECHARGEABLE BATTERIES ARE TO BE REMOVED FROM THE TOY BEFORE BEING CHARGED. THE SUPPLY TERMINALS ARE NOT TO BE SHORT-CIRCUITED. REMOVE BATTERIES FROM THE TOY WHEN NOT IN USE FOR EXTENDED TIME OR WHEN BATTERIES BECOME EXHAUSTED. BATTERY INSTALLATION BY AN ADULT IS REQUIRED. DISPOSE OF BATTERIES RESPONSIBLY. DO NOT DISPOSE OF IN FIRE.

WARNING

CHOKING HAZARD-SMALL PARTS.
NOT SUITABLE FOR CHILDREN UNDER 3 YEARS.

THIS IS A TOY, INTENDED
FOR ROLE PLAY ONLY.

WARNING: PLEASE SECURE THIS PRODUCT WITH THE SUPPLIED WALL FIXING. IT IS STRONGLY RECOMMENDED THAT THIS PRODUCT IS PERMANENTLY FIXED TO THE WALL. PLEASE SEEK PROFESSIONAL ADVICE IF YOU ARE IN DOUBT OF WHAT FIXING DEVICE TO USE. REGULARLY CHECK THE ANCHOR IS SECURELY FASTENED.





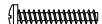




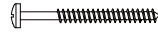








CAUTION: FOR YOUR SAFETY WHEN ATTACHING THE ANCHOR FIXINGS, PLEASE CHECK ANY ELECTRICAL WIRES OR PLUMBING INSIDE THE WALL BEFORE DRILLING ANY HOLES. IF UNSURE, CONSULT AN EXPERT.

Assembly Instructions for Princess Kitchen

Keycode no.: 43441655

Exploded view diagram showing the following components:

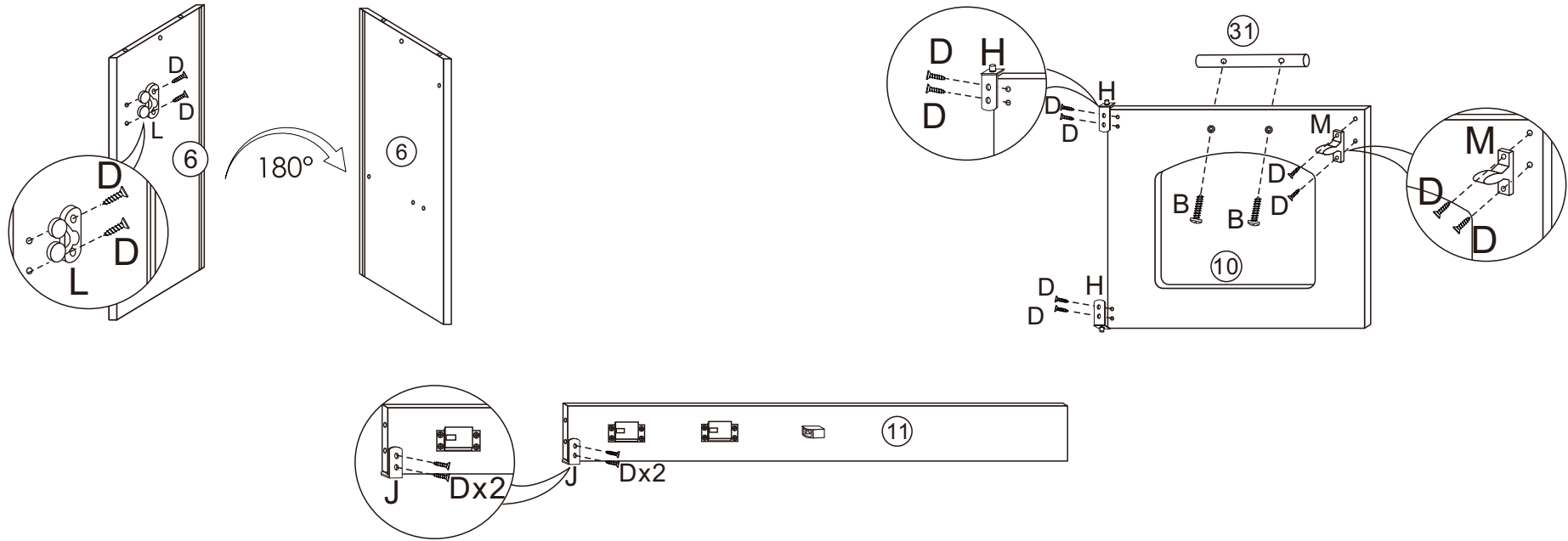
- 23: Top panel
- 24: Left side panel
- 25: Right side panel
- 26: Back panel
- 27: Top panel (right)
- 28: Top panel (left)
- 29: Middle panel (right)
- 30: Middle panel (left)
- 31: Pin (x3)
- 32: Pin
- 33: Knob
- 34: Cap (x2)
- 35: Tray
- 36: Burner assembly

Ax46 	Lx4 
Bx14 	Mx4 
Cx3 	Nx1 
Dx49 	Ox1 
Ex1 	Px1 
Fx42 	Qx1 
Gx4 	Rx2 
Hx4 	
Ix1 	
Jx1 	
Kx5 	

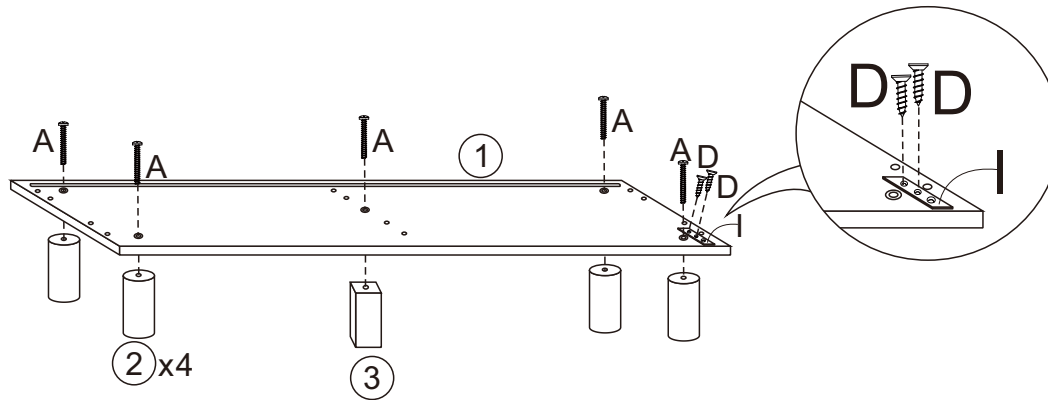
Assembly Instructions for Princess Kitchen

Keycode no.: 43441655

1



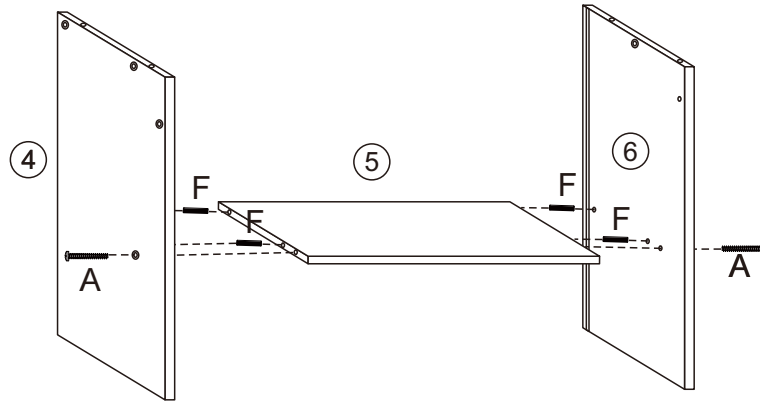
2



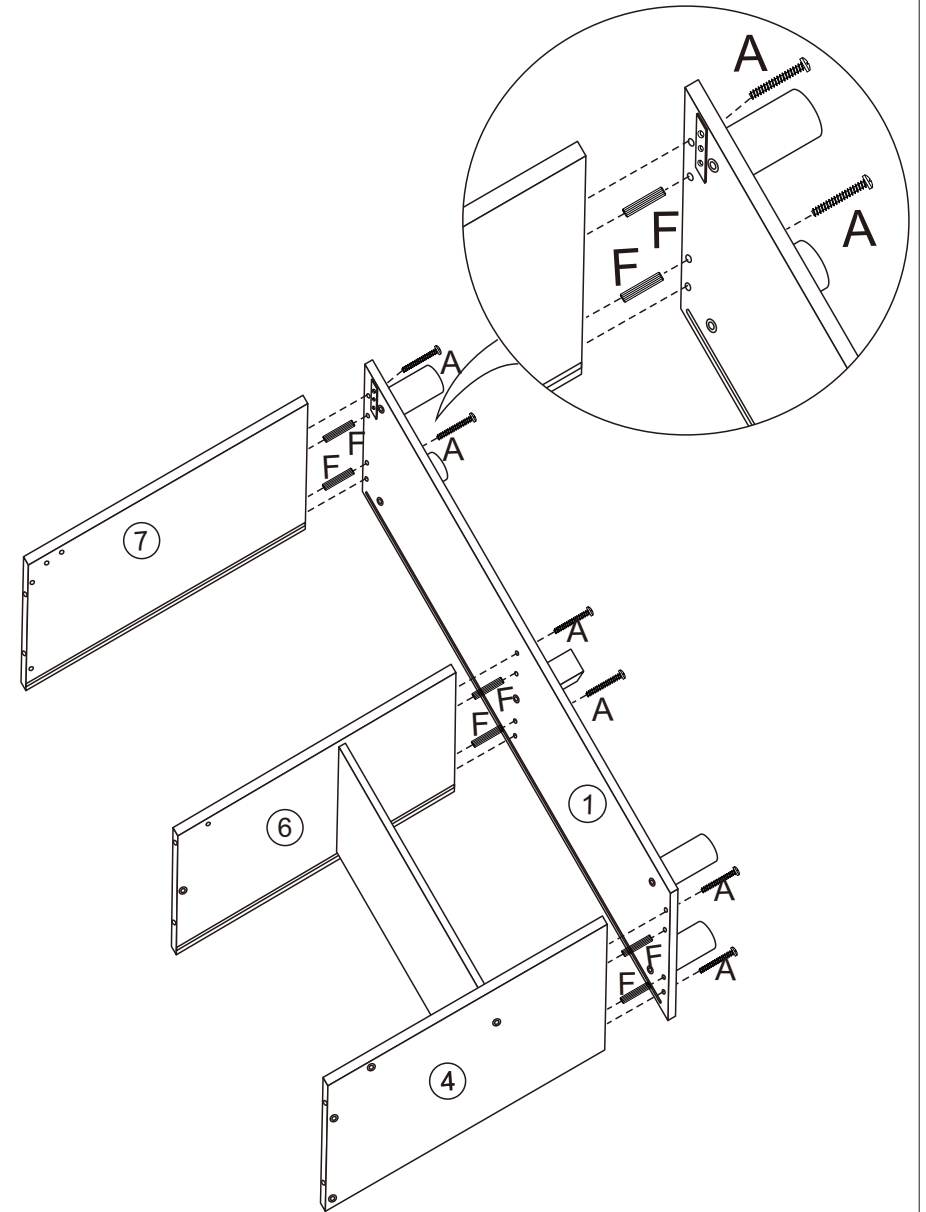
Assembly Instructions for Princess Kitchen

Keycode no.: 43441655

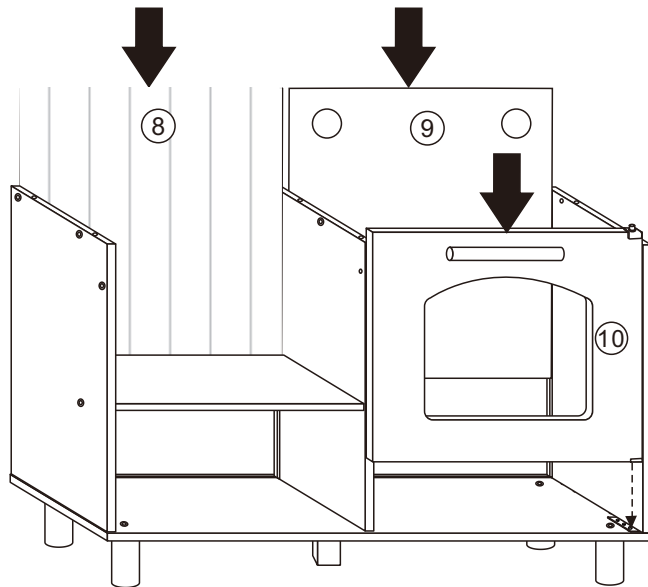
3



4



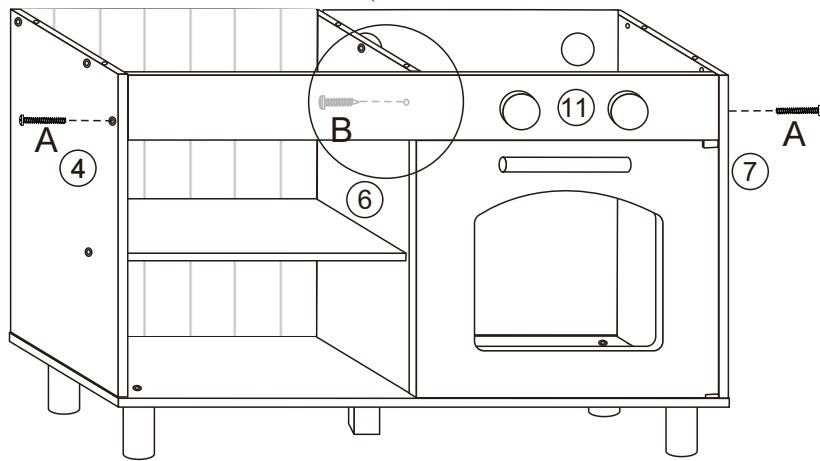
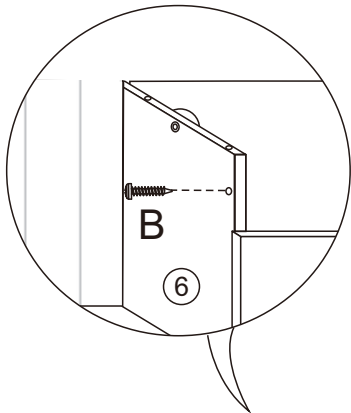
5



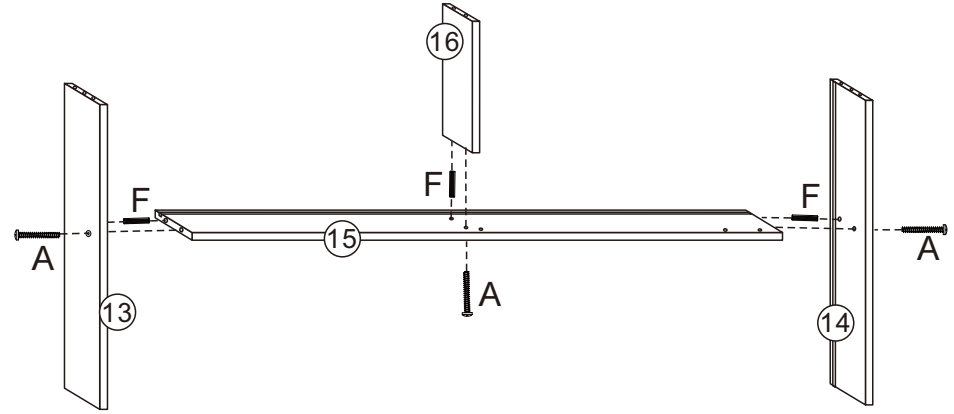
Assembly Instructions for Princess Kitchen

Keycode no.: 43441655

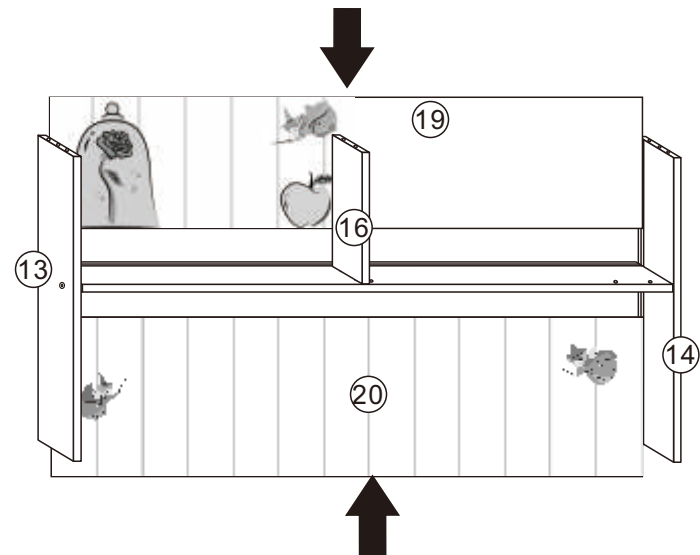
6



7



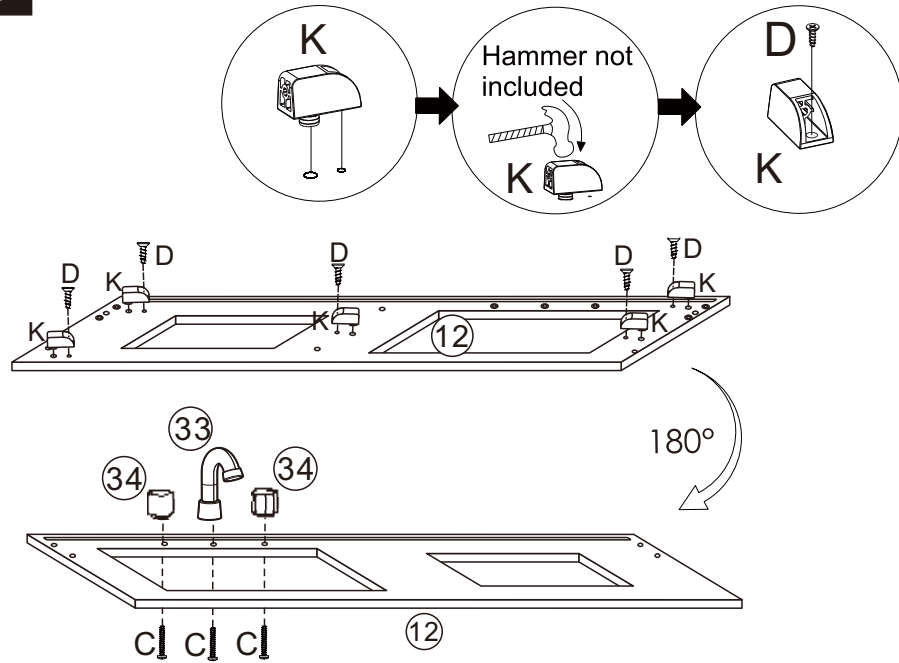
8



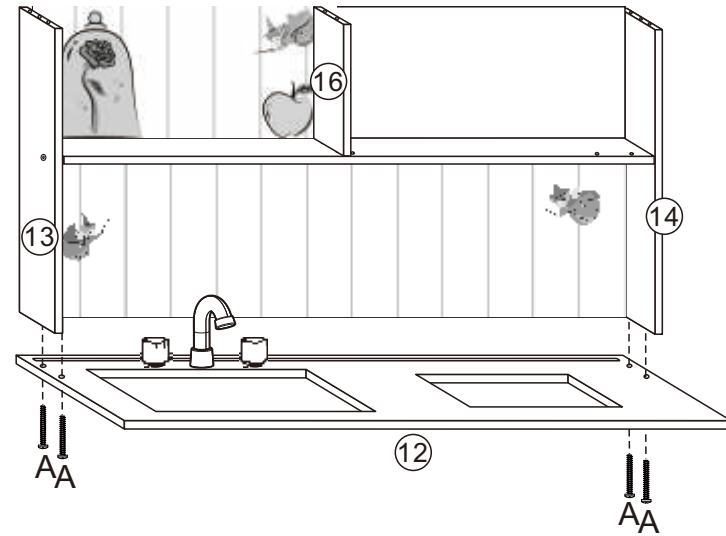
Assembly Instructions for Princess Kitchen

Keycode no.: 43441655

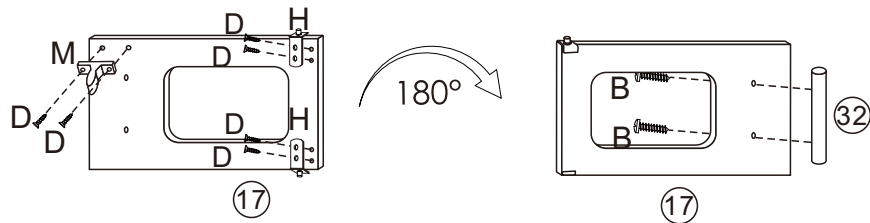
9



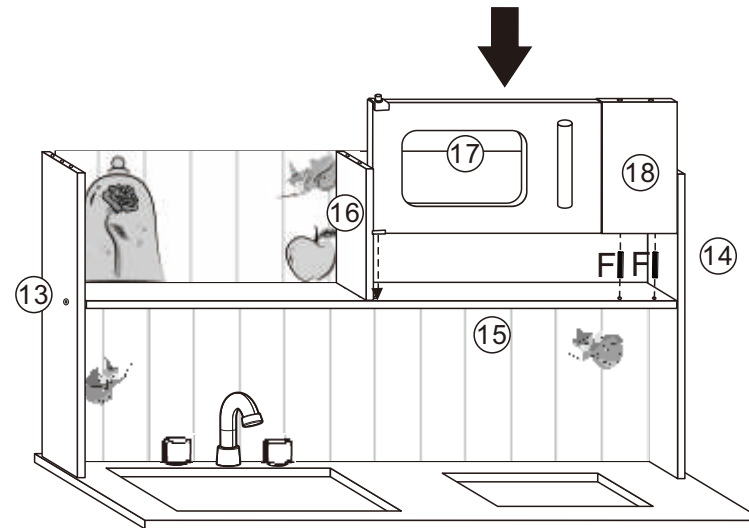
10



11



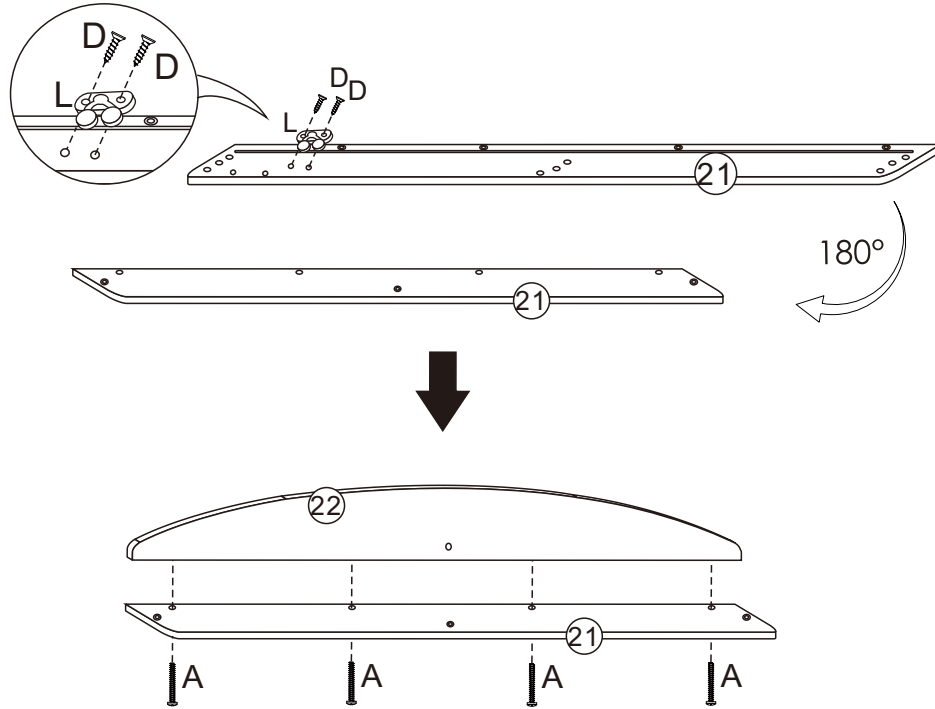
12



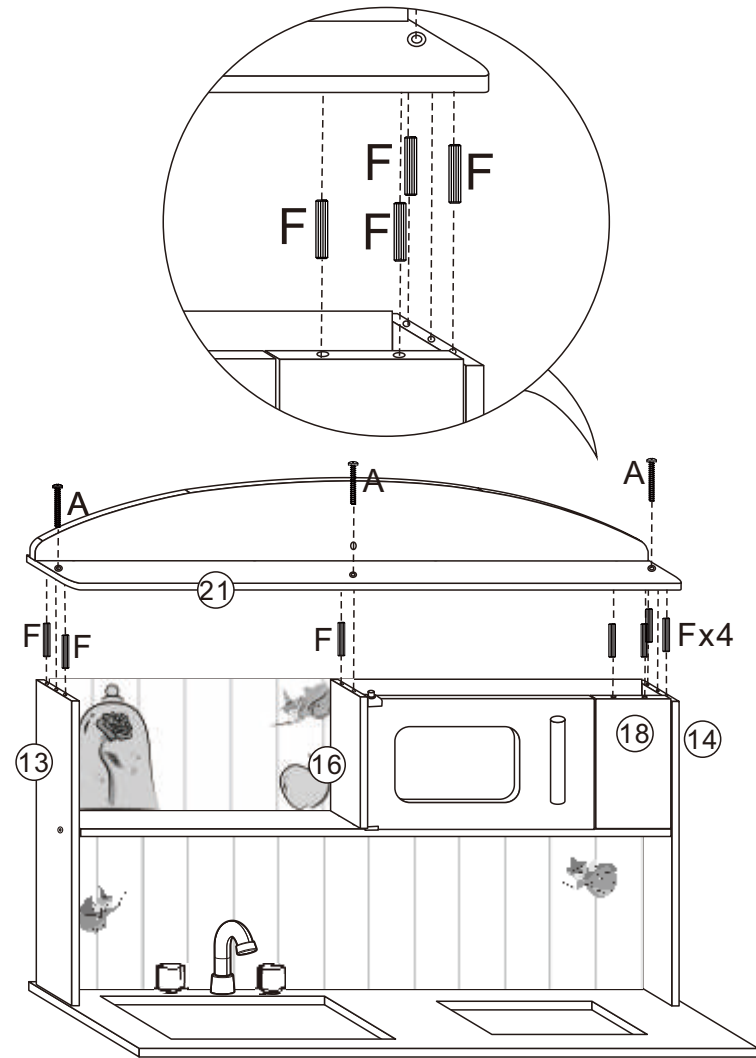
Assembly Instructions for Princess Kitchen

Keycode no.: 43441655

13



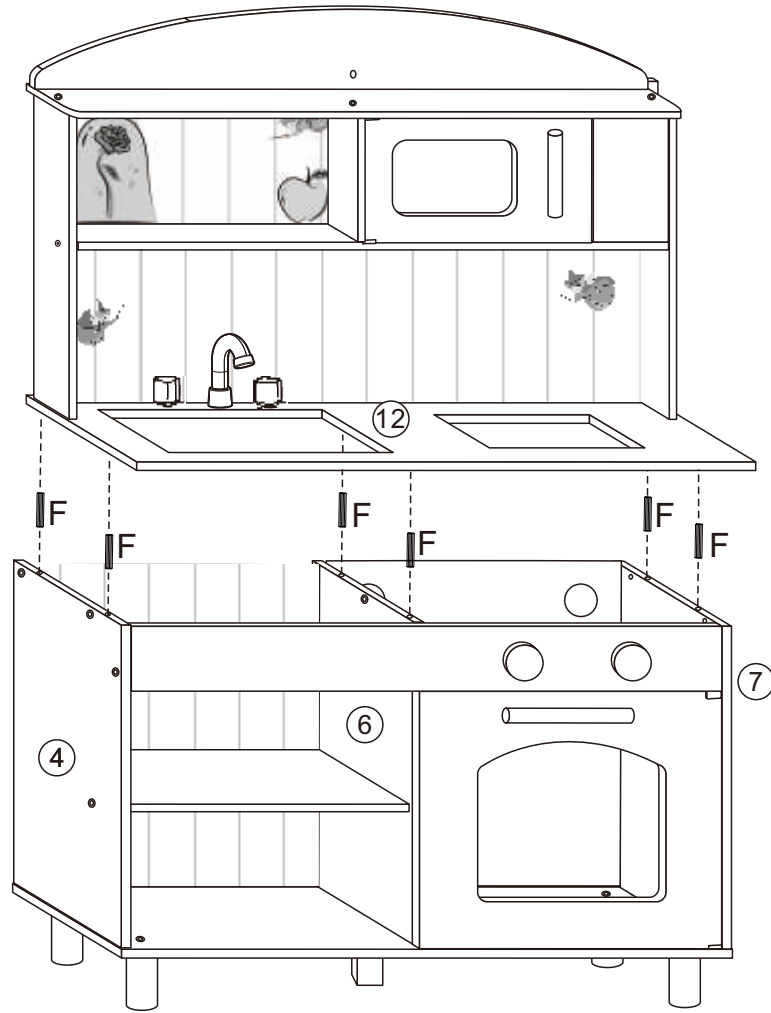
14



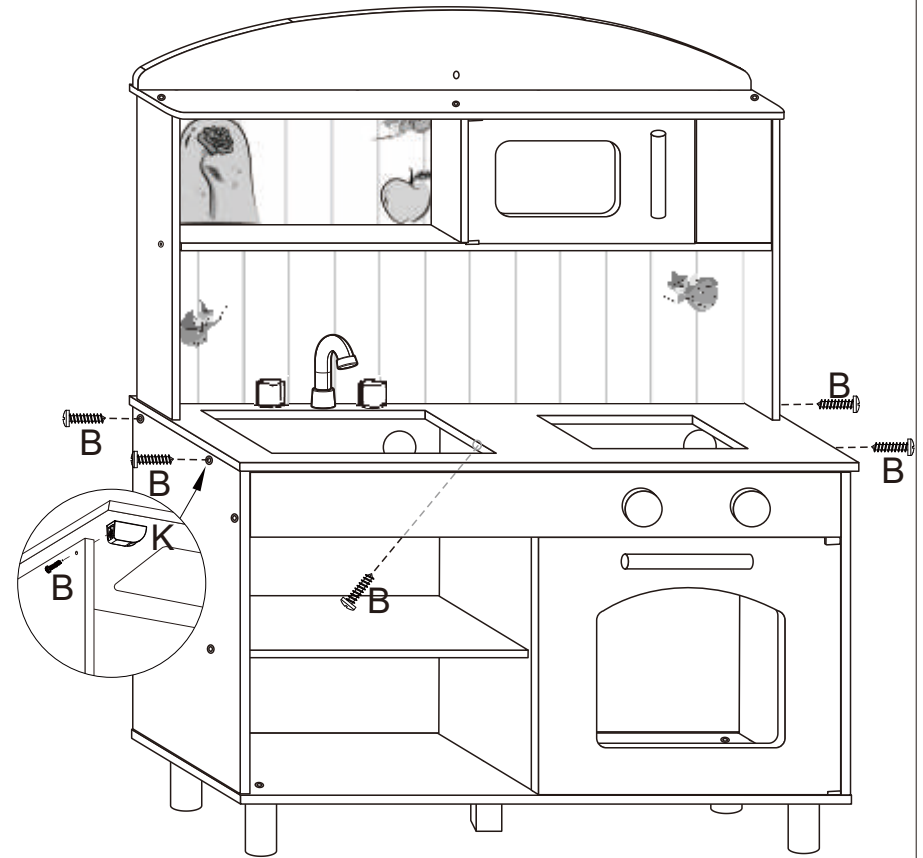
Assembly Instructions for Princess Kitchen

Keycode no.: 43441655

15



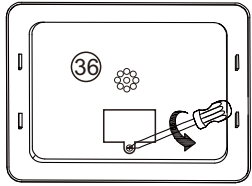
16



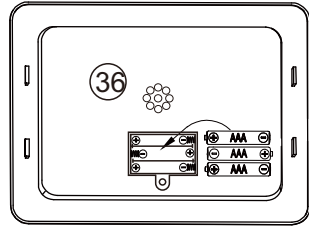
Assembly Instructions for Princess Kitchen

Keycode no.: 43441655

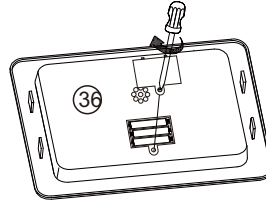
17 ①



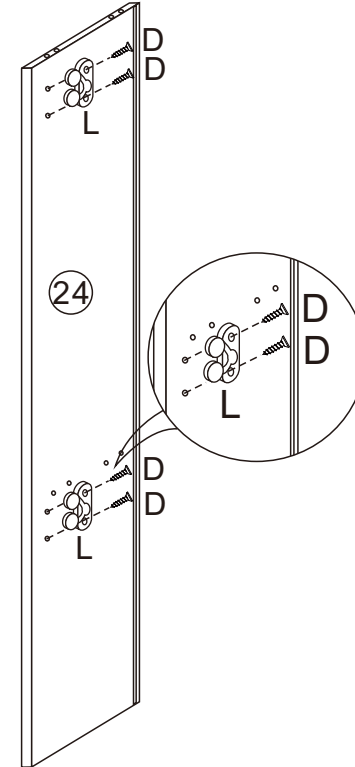
②



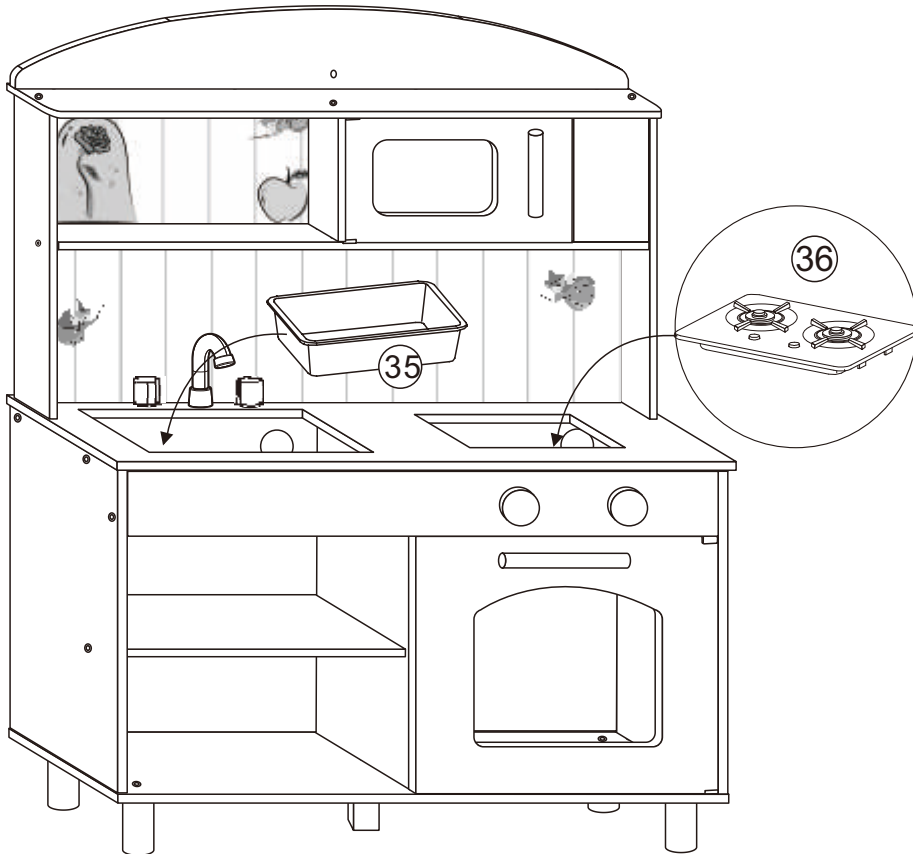
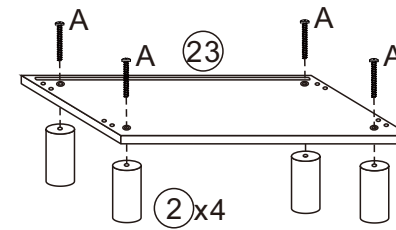
③ Screwdriver not included



18



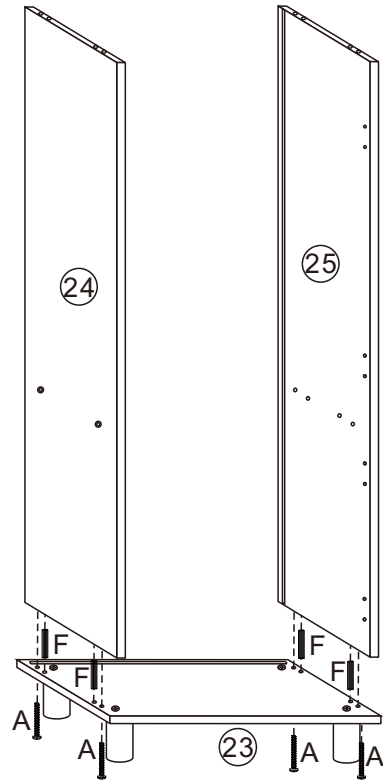
19



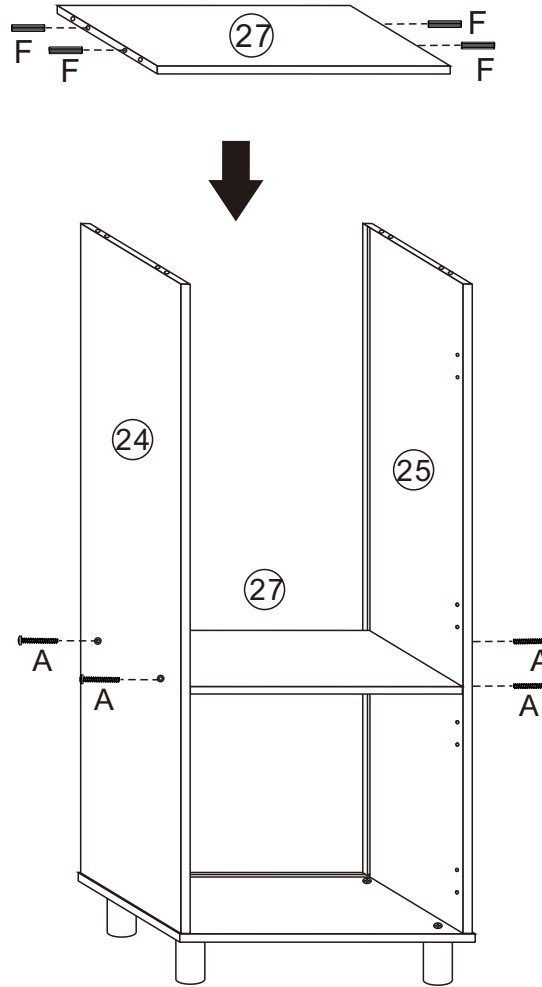
Assembly Instructions for Princess Kitchen

Keycode no.: 43441655

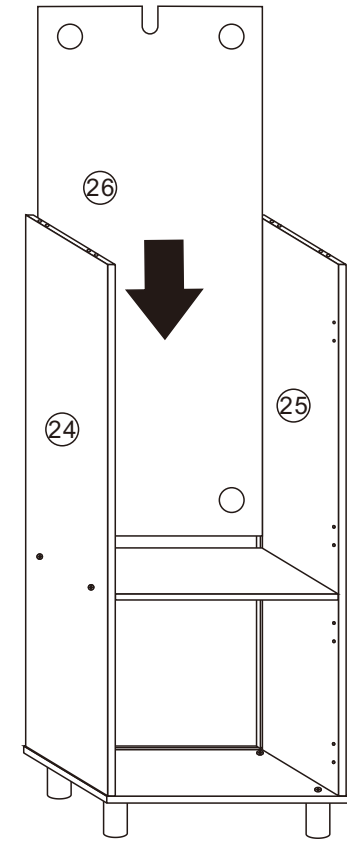
20



21



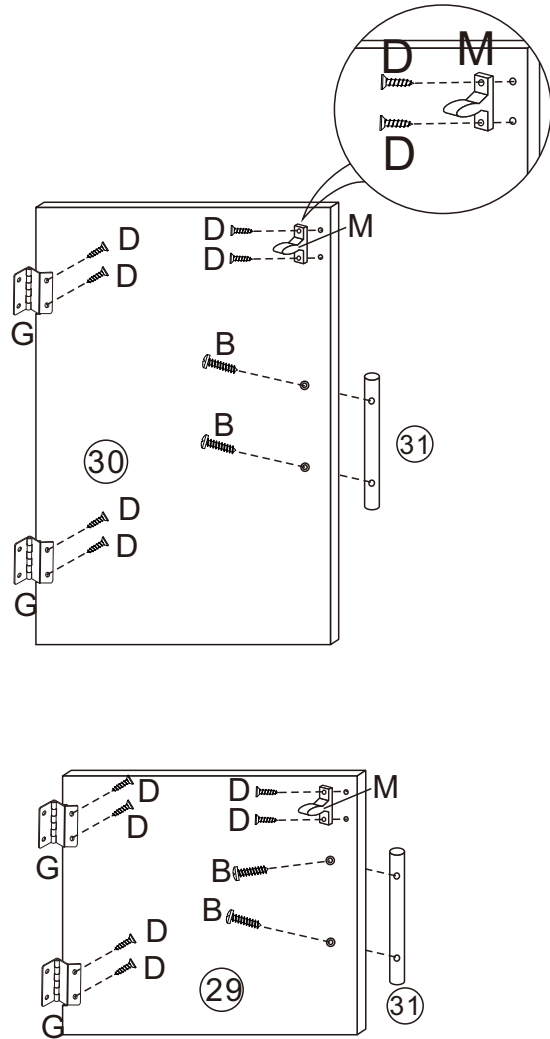
22



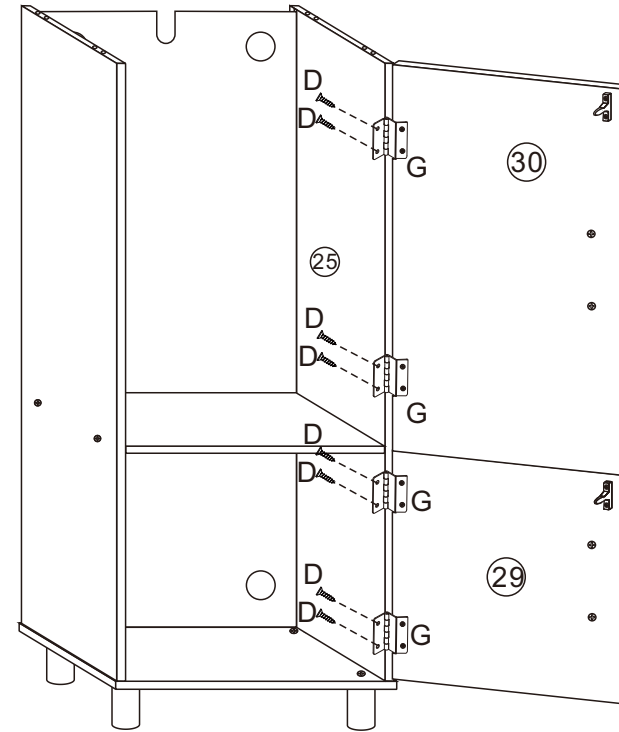
Assembly Instructions for Princess Kitchen

Keycode no.: 43441655

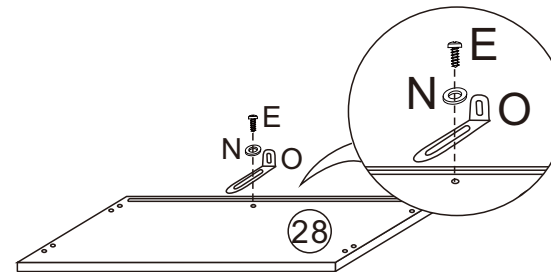
23



24



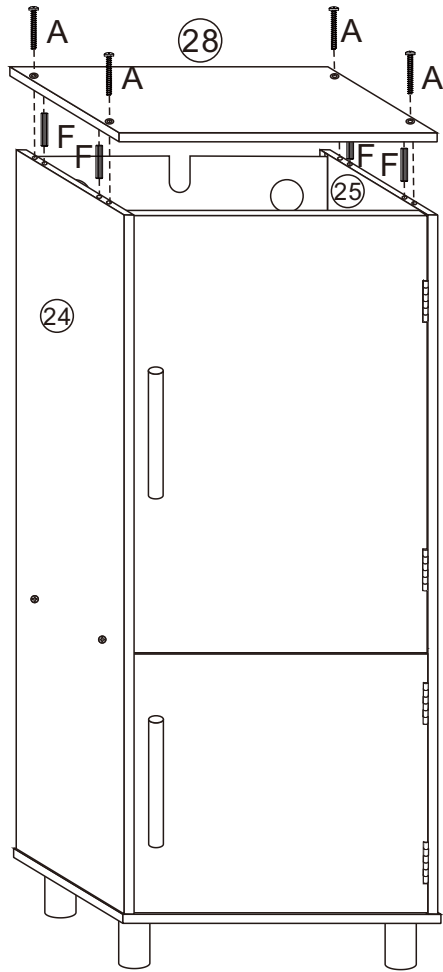
25



Assembly Instructions for Princess Kitchen

Keycode no.: 43441655

26



27

