

GO GO CAR

OWNERS MANUAL & ASSEMBLY INSTRUCTIONS



Thank you for your purchase of this product. If any parts are missing or damaged, please contact one of our Customer Service Representatives on:

HYPER EXTENSION LTD

Room 108, 1st Floor, no. 1000Ziyue Rd,
Shanghai, PRC, 200241

1800 632 792 (AUSTRALIA)

0800 623 792 (NEW ZEALAND)

Email: spares@hunterleisure.com.au

Visit: www.momentumservicesco.com

Read and follow all instructions. Keep this manual for future reference.

SAFETY INFORMATION

WARNING!

THIS MANUAL CONTAINS IMPORTANT SAFETY, ASSEMBLY AND MAINTENANCE INFORMATION.

ASSEMBLY MUST BE COMPLETED BY AN ADULT. Obtain the required tools and then follow the assembly instructions in this manual.

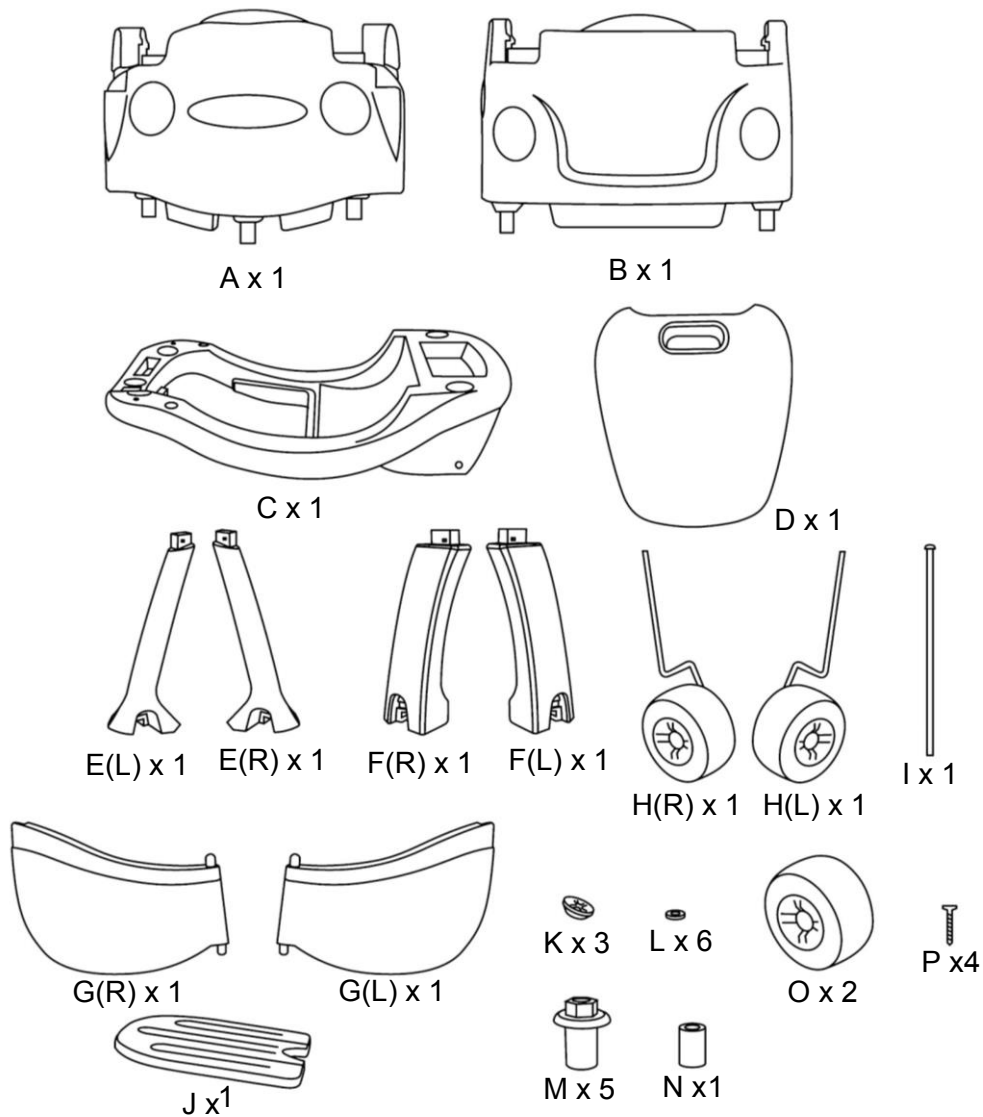
FAILURE TO FOLLOW THESE INSTRUCTIONS MAY CAUSE SERIOUS INJURY.

PLEASE KEEP THIS MANUAL FOR FUTURE REFERENCE AS IT CONTAINS IMPORTANT INFORMATION.

WARNING/CAUTION

- Please read this Owner's Manual completely before assembling or operating this product.
- Make sure assembly instructions are followed, as some parts must be installed before others.
- To be used under constant adult supervision.
- Never leave your child unattended on this product.
- Always wear shoes.
- Do not ride at night, in wet weather or in areas of traffic.
- Never use on public roads or highways, hills, sloped driveways, near motor vehicles or swimming pools.
- Always follow traffic laws.
- Don't lift the car from the roof, especially when child is riding.
- Always check fasteners, wheels, spacers and caps before every ride.
- Replace worn and damaged parts immediately. DO NOT ride until parts have been replaced to prevent injuries.
- Allow only one rider.
- Recommended for children between 18 months and 4 years.
- Max weight capacity: 25kgs.

PARTS LIST



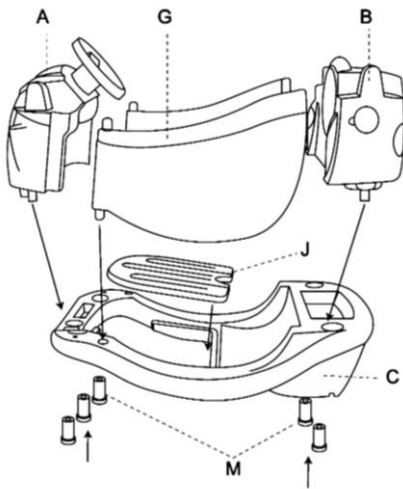
Part number	Part Name	Part number	Part Name
A	Front main body	H(L)	Left front wheel
B	Rear main body	H(R)	Right front wheel
C	Base	I	Rear axle
D	Roof	J	Removable floor
E(L)	Left front support	K	Axle cap
E(R)	Right front support	L	Flat washer
F(L)	Left rear support	M	Plastic nut
F(R)	Right rear support	N	Cap-nut tool
G(L)	Left door	O	Rear wheel
G(R)	Right door	P	Self-tapping screw

***Left/Right direction is based on sitting inside the car facing forward.**

Axle caps (K) would be used and additional 2 pcs for spare part.

Tools required for assembly (not included) are: adjustable wrench or spanner, screwdriver and hammer.

ASSEMBLY INSTRUCTIONS



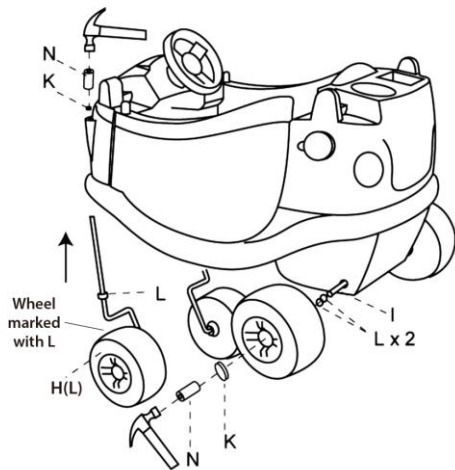
STEP 1

A. Attach the front main body (A) to the base (C). Secure with three plastic nuts (M), using adjustable spanner or wrench.

B. Attach the rear main body (B) to the base (C). Secure with two plastic nuts (M).

C. Attach left door (G(L)) to the left side of base (C) and the right door (G(R)) to the right side of the base (C). The door locks should be on the inside of the car.

D. Place the removable floor (J) inside the main body (A) if required.

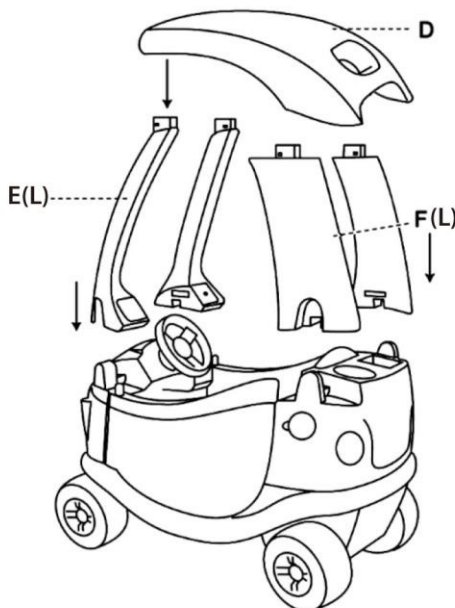


STEP 2

A. Slide a flat washer (L) onto the axle on the left front wheel (H(L)), which is marked with an L. Insert the left front axle (H(L)) through the left side of the base (C) and main body (A). Secure by tapping on axle cap (K) to the end of axle using plastic tool provided (N) and hammer. Repeat the above instructions for the front right wheel (H(R)).

NOTE: Please make sure you install a flat washer (L) onto axle before inserting onto base.

B. Slide rear axle (I) through one rear wheel (O) and then two flat washers (L). Then slide rear axle through main body (C), then another two flat washers and wheel. Turn car on its side and secure rear wheels by tapping on axle cap (K) to the end of axle using plastic tool provided (N) and hammer.



STEP 3

A. Push the left front support (E(L)) into the left side of the front main body (A). Ensure that the doors are closed with the door latch in locked position prior to installing the left front support (E(L)). Supports are designed to be a tight fit, so you may need to insert them on a slight angle or apply some force to fit them on. Repeat instructions above for the right front support (E(R)).

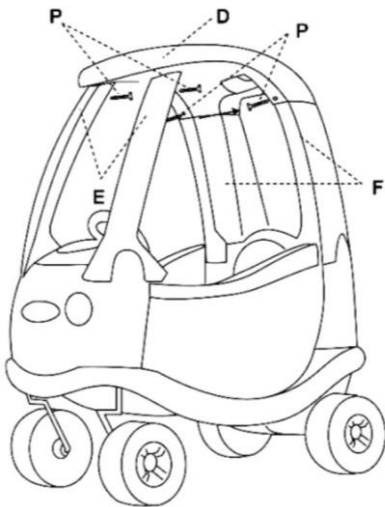
NOTE: The supports are marked L & R, so please pay attention prior to assembly.

B. Push the left rear support (F(L)) into the left side of the rear main body (B). Supports are designed to be a tight fit, so you may need to insert them on a slight angle or apply some force to fit them on. Repeat instructions above for the right rear support (F(R)).

NOTE: The supports are marked L & R, so please pay attention prior to assembly.

C. Attach the roof (D) by pushing the front of the roof into the front supports (E(L)) & E(R)). Once the roof is connected to the front supports, push the rear of the roof into the rear supports (F(L)) & F(R)).

D. Ensure all supports are securely connected into the roof.



STEP 4

Secure one self-tapping screw (P) into each support and the roof (D).

NOTE: The roof has a handle at the rear that is designed for pushing young children in the car.

WARNING: The roof should never be used to carry or pick up the car.