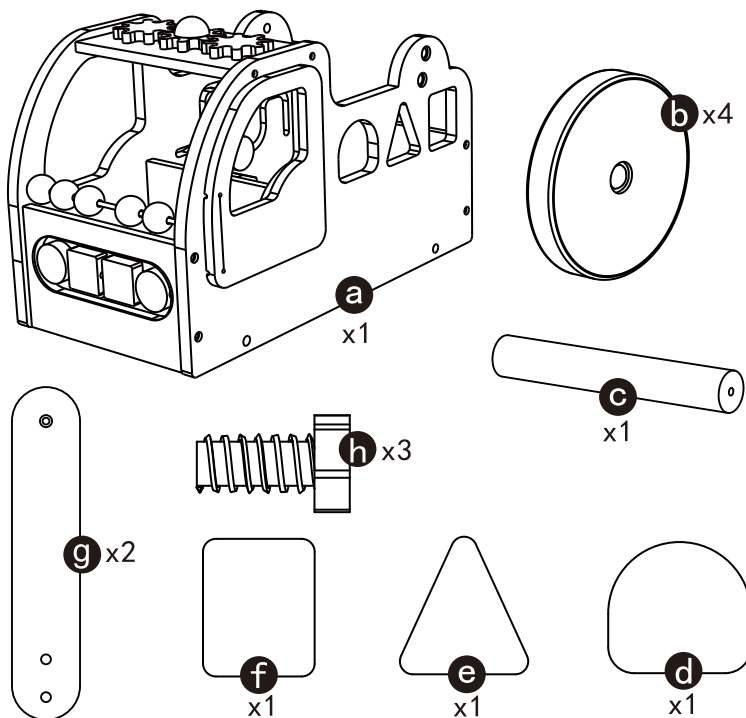


Product image



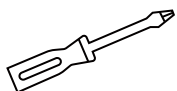
PARTS LIST



HARDWARE

- | | | |
|---|--|----|
| I | | x2 |
| J | | x4 |
| K | | x4 |

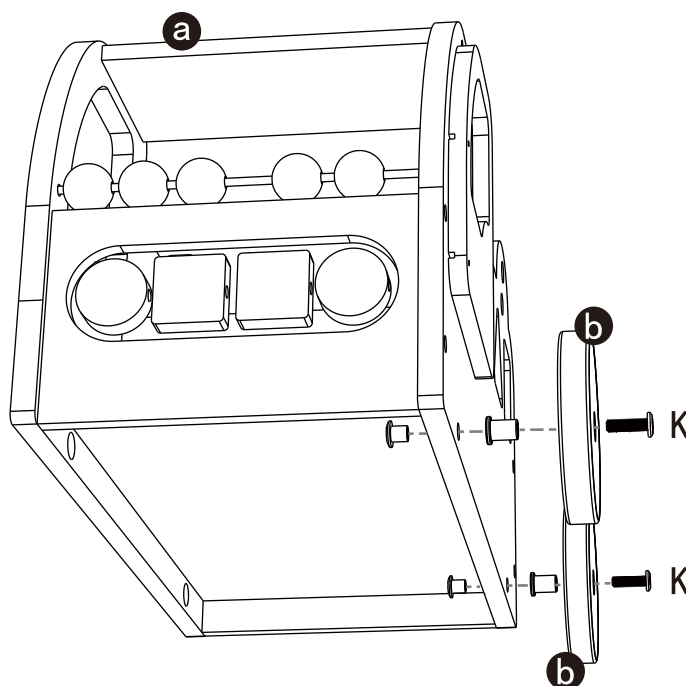
Tools Required Cross screwdriver



(Not Included)

ASSEMBLY

Step 1



CAUTION: ADULT ASSEMBLY AND SUPERVISION REQUIRED.

WARNING: UNASSEMBLED PARTS CONTAIN SCREWS WITH FUNCTIONAL SHARP POINTS, PLEASE KEEP UNASSEMBLED PARTS AWAY FROM SMALL CHILDREN

CAUTION: PLEASE CHECK CONDITION OF ITEM REGULARLY, AS SCREWS MAY LOOSEN WITH USE OVER TIME. TIGHTEN SCREW FITTINGS IF NECESSARY. STOP USING THIS PRODUCT IF THERE IS ANY LOOSE OR MISSING FASTENERS, JOINTS OR BROKEN PARTS.

WARNING: DO NOT SIT AND STAND INSIDE OR ON TOP OF IT.

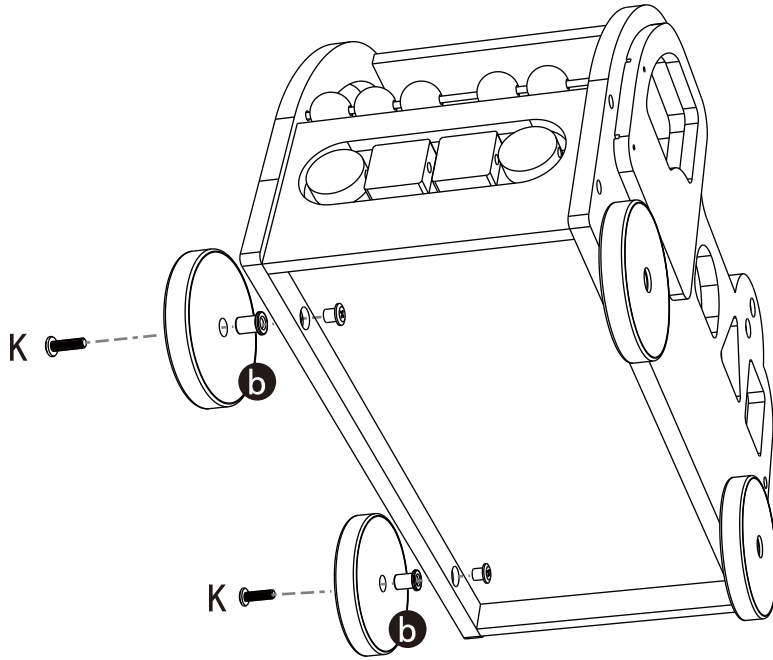
WARNING: FOR SAFETY REASONS, REMOVE ALL TAG, LABELS AND PLASTIC FASTENERS BEFORE GIVING THIS TOY TO YOUR CHILD.

MADE IN CHINA

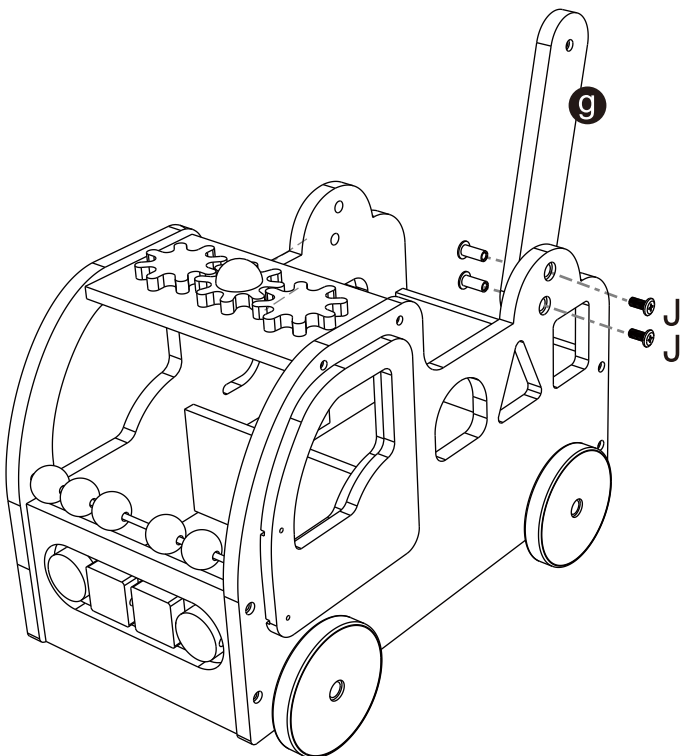
Read and follow instructions carefully and keep for future reference.

ASSEMBLY

Step 2



Step 3



Step 4

