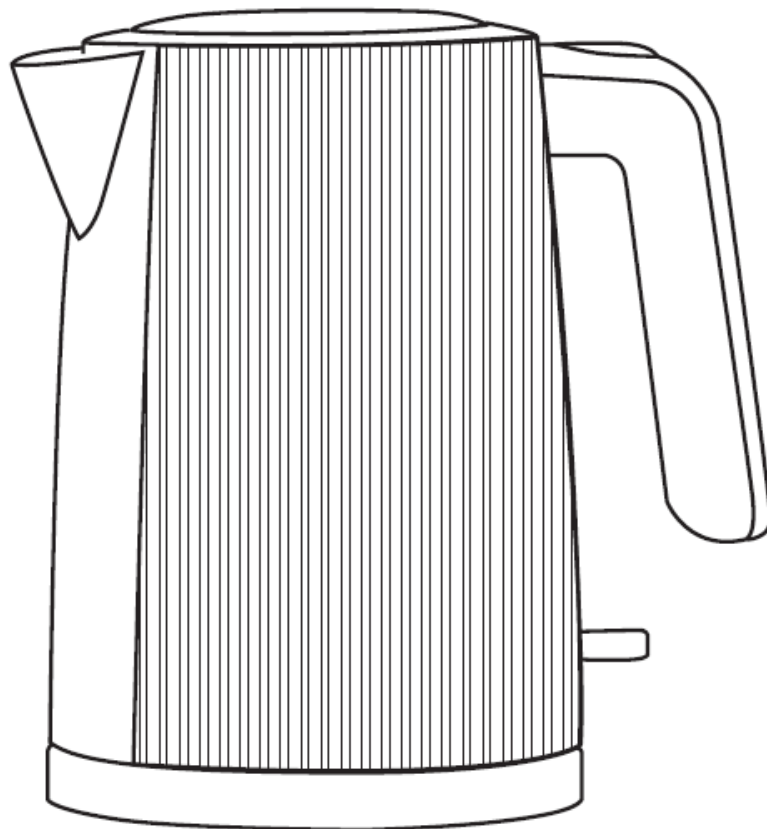


anko

ELECTRIC KETTLE

Instruction Manual



Model No.: AKT561

To ensure the proper operation of this appliance, please read this instruction manual carefully before using the appliance and keep them for further reference.

Important Safeguards



Read all instructions thoroughly before first use, even if you are familiar with this type of product. The safety precautions mentioned in this manual reduce the risk of burns, fire, electric shock, and injury when correctly followed. Keep this manual in a safe place for future reference, along with the purchase receipt and packaging. If applicable, pass these instructions onto the next owner of this appliance.

Explanation of Symbols



This signal symbol/word designates a hazard with moderate risk, which may result in death or severe injury if not avoided.



This signal symbol/word designates a hazard with low risk, which may result in minor or moderate injury if not avoided.



This signal word warns of possible damage to property.



This symbol provides you with useful additional information about assembly or operation.

When using an electrical appliance, to reduce the risk of personal injury or damage to property, basic safety precautions must be observed, including the following:

READ ALL INSTRUCTIONS

1. Before connecting the kettle to the mains supply, check that the voltage indicated on the appliance (underside the kettle & base) matches the mains voltage in your home. If this is not the case, do not use the kettle.
2. Do not let the power cord hang over the edge of the table or counter.
3. Do not place the kettle on or near a hot gas or electric burner or in a heated oven.

4. **CAUTION!** Do not operate the kettle without filling with water to avoid damage to the heating element.
 5. Ensure that the kettle is used on a stable, flat, heat-resistant surface, this will prevent the kettle from overturning and avoid damage or injury.
 6. Keep the appliance and its cord out of reach of children.
 7. To protect against a fire, electric shock or personal injury, do not immerse the supply cord, plug or kettle in water or other liquids.
 8. Avoid contact with steam from the spout when the water is boiling or just after it has switched off.
 9. Always take care to pour boiling water slowly and carefully without tipping the kettle too quickly.
 10. This appliance is not intended for use by persons (including children) with reduced physical, sensory or mental capabilities, or lack of experience and knowledge, unless they have been given supervision or instruction concerning use of the appliance by a person responsible for their safety.
 11. Children should be supervised to ensure that they do not play with the appliance.
 12. Do not touch hot surfaces. Use the handle when moving the kettle.
 13. The power base supplied is only for use with this kettle.
 14. Extreme caution must be used when moving the kettle with hot water.
 15. The appliance is not a toy. Do not let the children play with it.
 16. The kettle is for household use only, not designed for commercial use. Do not use outdoors.
 17. The use of accessories, which are not recommended by the appliance manufacturer, may result in fire, electric shock or personal injury.
- IMPORTANT!** Unplug the kettle from mains power outlet when not in use and before cleaning.
19. Allow the kettle to cool thoroughly before putting on or taking off parts, and before cleaning the appliance.
 20. To disconnect the kettle, switch "OFF" the power switch on the kettle first, then remove the plug from the mains power outlet.
 21. If the supply cord is damaged, it must be replaced by a qualified electrician in order to avoid a hazard or the product must be disposed of.
 22. Do not use the appliance for other than intended use.
 23. The kettle is only to be used with the base provided.
 24. **CAUTION!** If the kettle is overfilled, boiling water may spill out.
 25. Always ensure the kettle lid is closed and do not open it while the water is boiling. Scalding may occur if the lid is opened when water is still boiling.
 26. The appliance must not be immersed in water or other liquids.
 27. Avoid liquid spillage on the electrical connectors.

28. This appliance is intended to be used in household and similar applications such as:

- Staff kitchen areas in shops, offices and other working environments;
- Farm houses;
- By clients in hotels, motels and other residential type environments;
- Bed and breakfast type environments.

29. The kettle base and outer surface is subject to residual heat after use.

30. Misuse may cause injury or property damage.

31. **CAUTION:** The heating element surface is subject to residual heat after use.

32. **CAUTION:** Do not operate the kettle on an inclined plane. Do not operate the kettle without filling it with water above the Min level. Do not move while the kettle is switch on.

33. **CAUTION:** To prevent damage to the appliance, do not use alkaline cleaning agents when cleaning, use a soft cloth and mild detergent.

WARNING!

- To reduce the risk of electric shock, do not immerse or expose the product, flexible cord or plug to rain, moisture, or any other liquid.
- Do not use the product near baths, basins or other vessels containing water or other liquids, or when standing in or on damp or wet surfaces.
- In the event where the appliance is dropped into water, turn off the power at the power outlet and remove the plug immediately.
DO NOT REACH INTO THE WATER TO RETRIEVE IT UNTIL IT HAS BEEN DISCONNECTED FROM THE POWER OUTLET.
- It is important to note that the appliance will have to be inspected by a qualified technician before using it again.

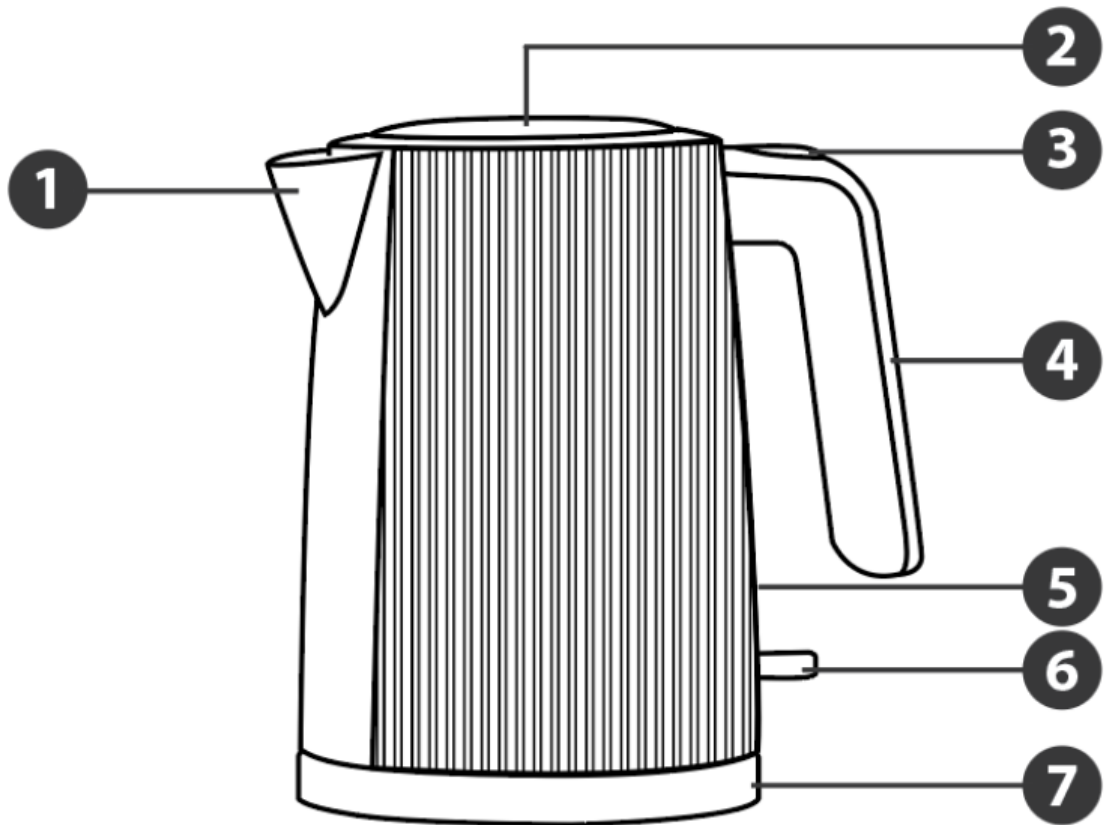
SAVE THESE INSTRUCTIONS FOR HOUSEHOLD USE ONLY.



WARNING! HOT SURFACE

HOT SURFACE! The surfaces are likely to get hot during use. This temperature of the outer surface may be high when the appliance is working. Please do not touch the outer surface by hand. Use the handle.

Parts Guide



1. Spout (with removable filter)
2. Lid
3. Lid release button
4. Handle
5. Water Level Indicator
6. Power switch with indicator light
7. Base

Instructions

GETTING STARTED

NOTICE!

Before using the Kettle for the first time

Read the safety instructions in this manual before operating.

Before using the appliance for the first time, follow the steps below.

- Stand the kettle on a flat, level and heat-resistant surface.
- Open the lid and fill the kettle so that it is half full. Close the lid.
- Place the kettle on the base.
- Connect the power cord to the wall outlet and turn the socket on.
- Press the power switch on the kettle to turn the kettle on.
- The power switch will illuminate while the kettle is operating.
- When the water has boiled the kettle will turn off automatically and the indicator light will turn off.
- Empty the boiled water from the kettle.

Using the Kettle

- Place the kettle base on a flat, stable and heat-resistant surface.
- Lift the lid and fill the kettle with clean cold water.
- **DO NOT OVERFILL!** Use the water level indicator to ensure that the water is between the MIN and MAX markings. Close the lid.
- Place the kettle on the base.
- Press the power switch on the kettle to turn the kettle on.
- The power switch will illuminate while the kettle is operating.
- When the water has boiled the kettle will turn off automatically and the indicator light will turn off.

NOTE! The water will be very **HOT!** Take care to avoid burns.

WARNING! DO NOT remove the lid when pouring water from the kettle.

Special safeguards

- Place the kettle base on a flat, stable and heat-resistant surface.
- Do not use or keep the kettle outside.
- Do not store the kettle near hot ovens or heating appliances.
- Certain parts of the kettle can become hot. Do not touch them as you may burn yourself.
- Never modify the kettle in any way.
- Use only cold water when filling the kettle.
- The water level must be between MIN and MAX markings.
- Switch the kettle off before removing it from the base.
- Always ensure that the lid is tightly closed.
- The base and exterior of the kettle must not become wet.
- The kettle body must be used with the kettle base.

Cleaning and Maintenance

- Before cleaning, turn off the kettle and disconnect it from the power outlet.
- Always disconnect the kettle and let it cool completely before cleaning.
- Clean the outside of the kettle with a damp sponge or cloth.
- Never immerse the kettle in water or any other liquid.
- Do not use abrasive cleaners or scourers to clean the kettle.
- Make sure it is completely dry before storing in a cool and dry area or using it again.
- The kettle has a removable filter than can be gently cleaned with a damp cloth.

Technical Specifications

Model Number	AKT561
Power Supply	220-240V~ 50-60Hz
Rated Power	1850-2200W

12 MONTH WARRANTY

Thank you for your purchase.

Your new product is warranted to be free from defects in materials and workmanship for the period stated above, from the date of purchase, provided that the product is used in accordance with accompanying recommendations or instructions where provided. This warranty is in addition to your rights under the Australian Consumer Law.

For New Zealand customers, this warranty is in addition to statutory rights observed under New Zealand legislation.

We will provide you with your choice of a refund, repair (where possible) or exchange (availability dependent) for this product if it becomes defective within the warranty period. The business will bear the reasonable expense of claiming the warranty.

The warranty will no longer apply where the defect is a result of alteration, accident, misuse, abuse, or neglect.

Please retain your receipt as proof of purchase and contact our Customer Service Centre as listed below, for the entity you purchased this product from, for any difficulties with your product. Warranty claims and claims for expenses incurred in returning this product can be addressed with the respective Customer Service Centre.

Our goods come with guarantees that cannot be excluded under the Australian Consumer Law. You are entitled to a replacement or refund for a major failure and compensation for any other reasonably foreseeable loss or damage. You are also entitled to have the goods repaired or replaced if the goods fail to be of acceptable quality and the failure does not amount to a major failure.

Contact for Kmart purchases	Contact for Target purchases
Kmart Australia Ltd. C/-Customer Service Centre 690 Springvale Road, Mulgrave VIC 3170 Customer Service: 1800 124 125 (Australia) or 0800 945 995 (New Zealand) or via Customer Help at kmart.com.au	Target Australia Pty Ltd C/- Customer Service Centre 2 Kendall Street, Williams Landing, VIC, 3027 Customer Service: 1300 753 567 or via Customer Help at target.com.au/help/contact-us