

# Instructions

5+  
years

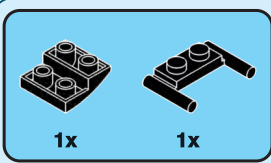


ADULT ASSISTANCE IS RECOMMENDED

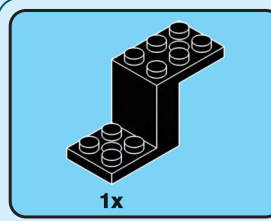
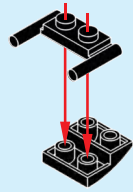
**WARNING: CHOKING HAZARD**  
SMALL PARTS. NOT FOR CHILDREN UNDER 3 YEARS.

Green Monster

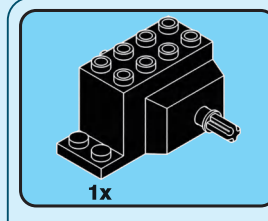
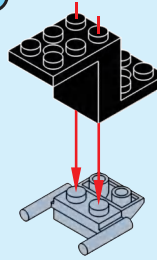
Vehicle Series  
**84**  
PIECES  
Difficulty Level



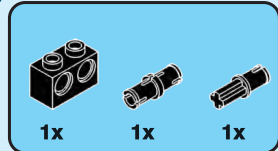
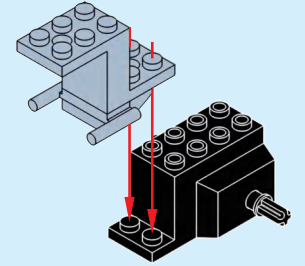
1



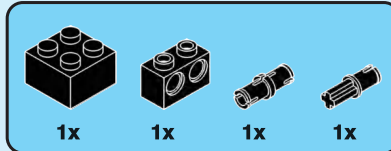
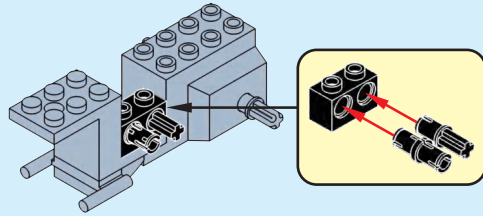
2



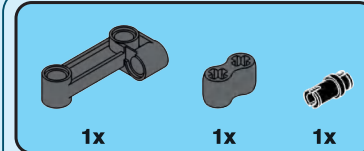
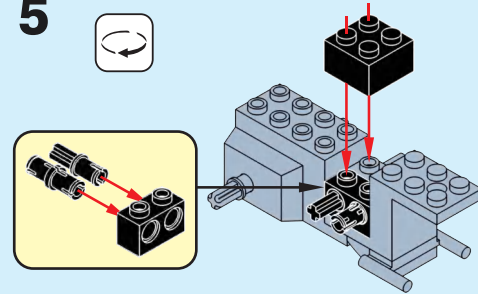
3



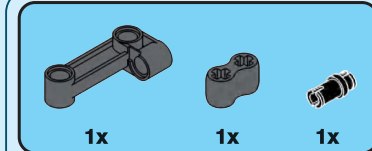
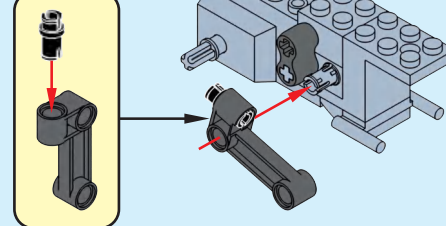
4



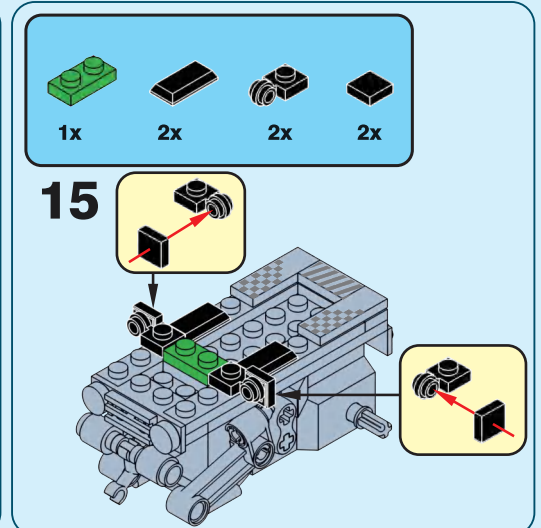
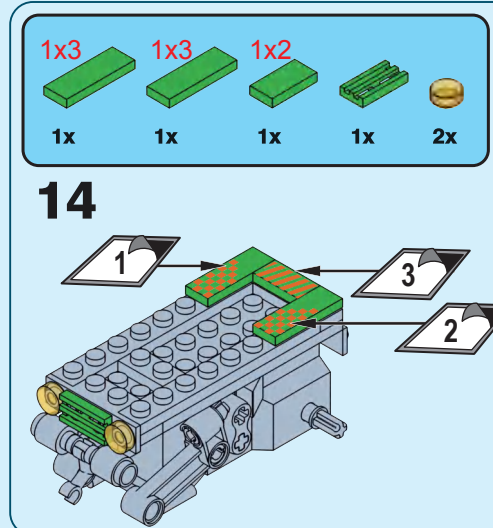
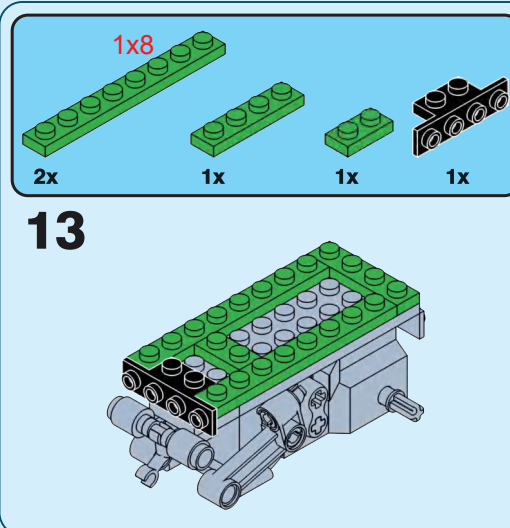
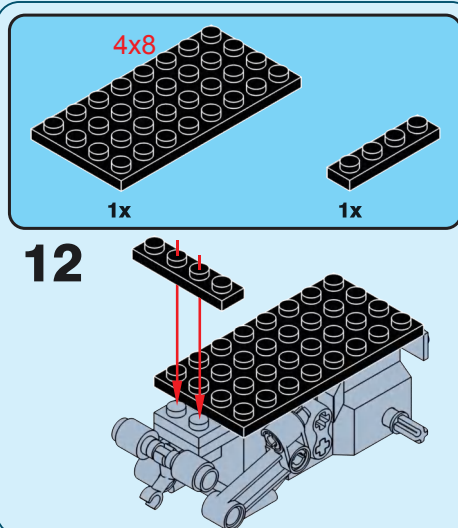
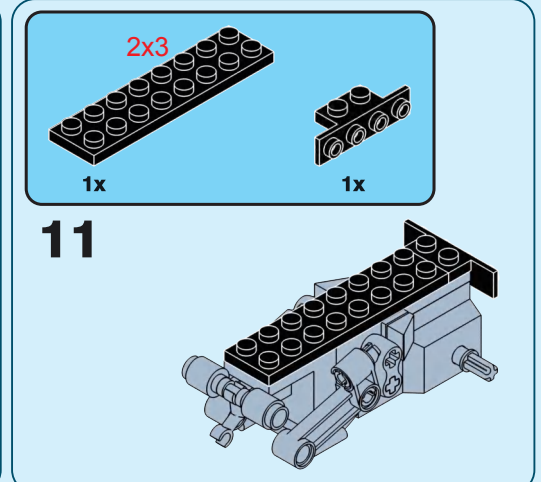
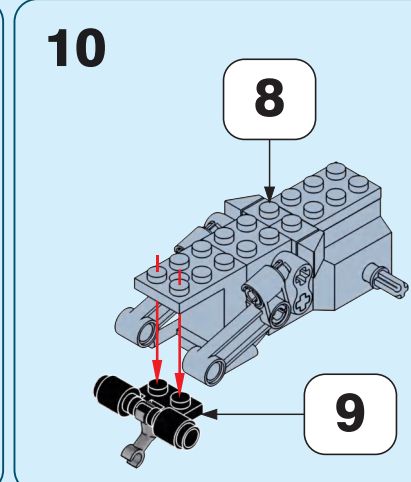
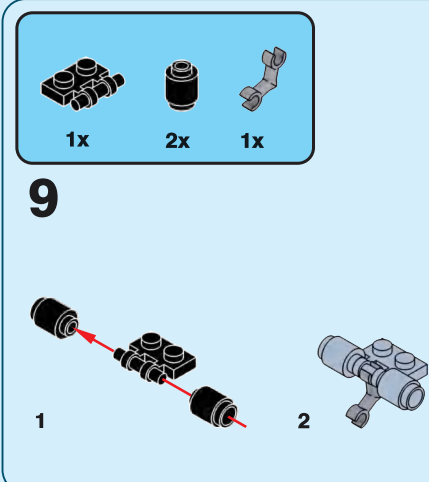
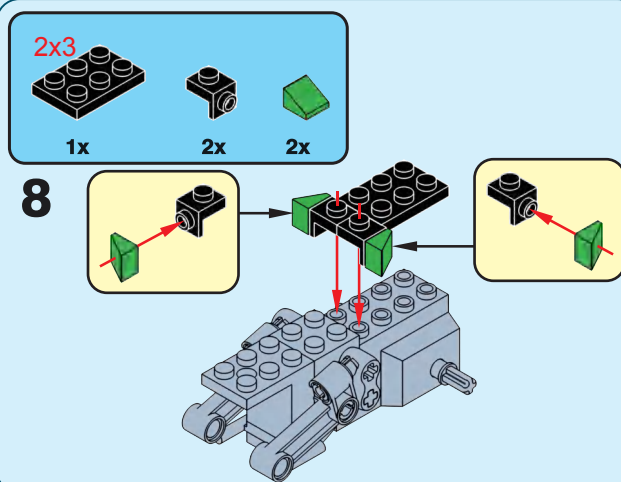
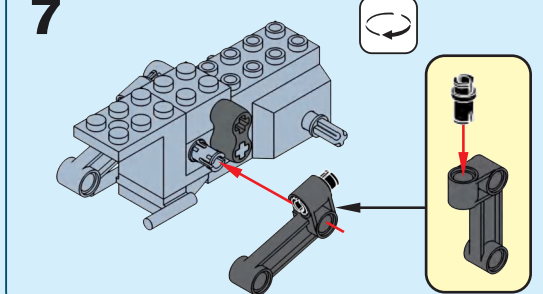
5



6



7



**2x4**  
1x 2x 1x

**16**

2x 1x 1x

**17**

1x 1x

**18**

1:1

**19**

18

16

1x 1x2 2x 2x

**20**

1x 2x 2x

**21**

**22**

1x 2x 2x

**23**

1x 1x

**24**

1:1

4x 4x

**25**

# Instructions

5+  
years

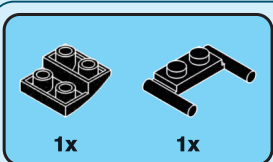
Vehicle Series  
**89**  
PIECES  
Difficulty Level



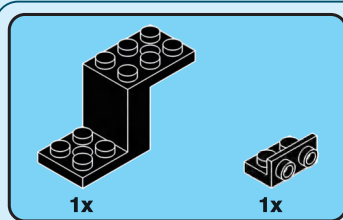
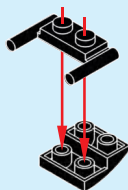
ADULT ASSISTANCE IS RECOMMENDED

**WARNING: CHOKING HAZARD**  
SMALL PARTS. NOT FOR CHILDREN UNDER 3 YEARS.

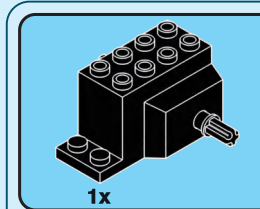
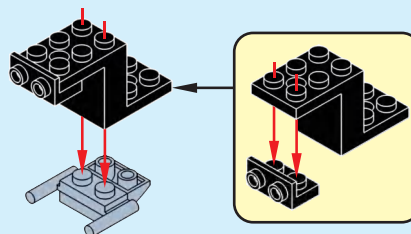
Purple Monster



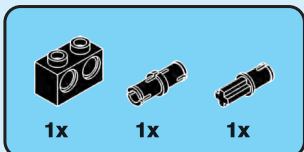
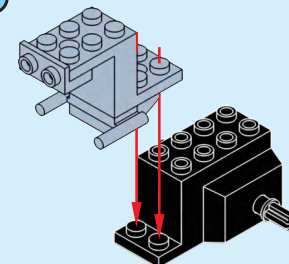
1



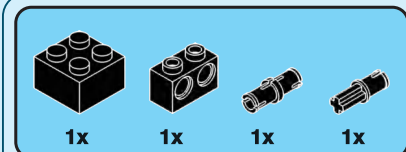
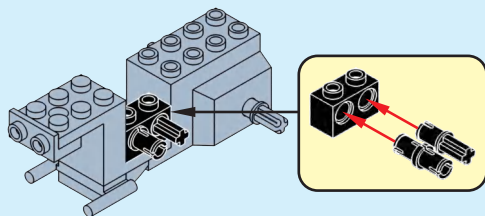
2



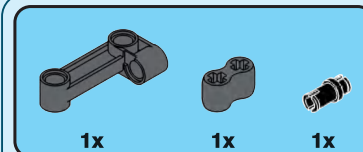
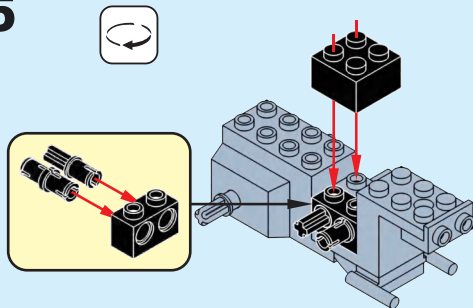
3



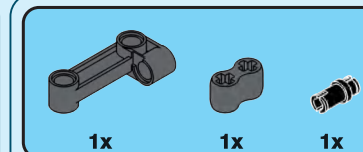
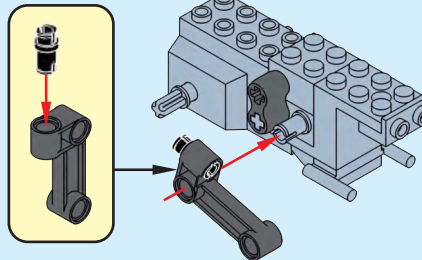
4



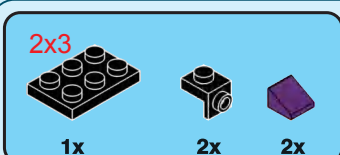
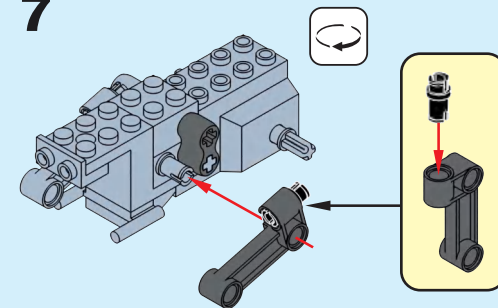
5



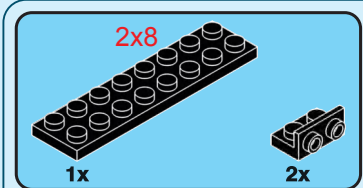
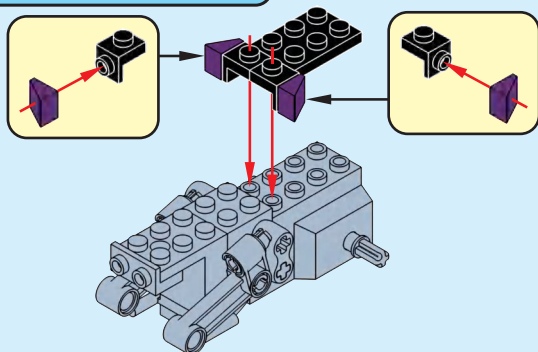
6



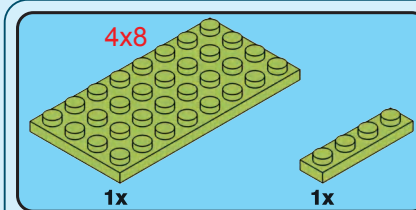
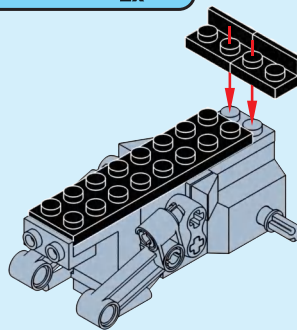
7



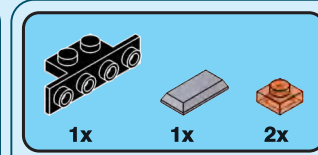
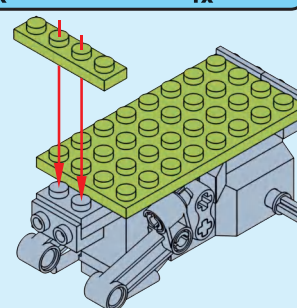
8



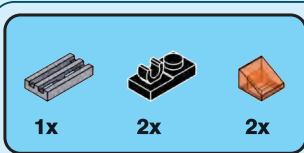
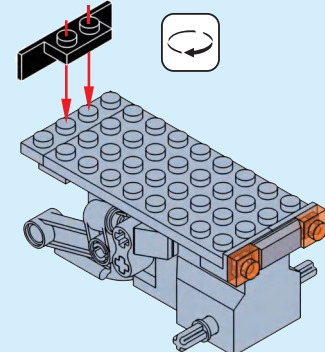
9



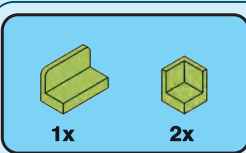
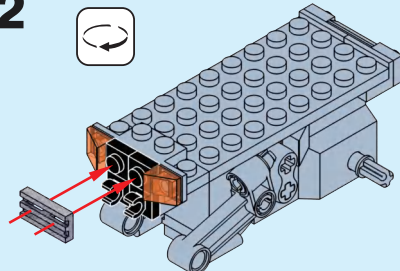
10



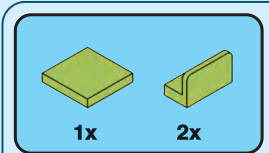
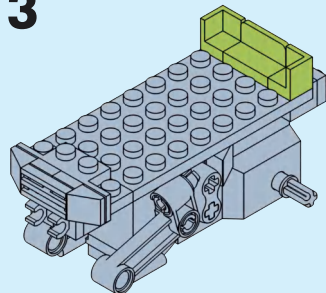
11



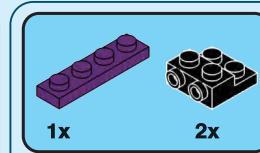
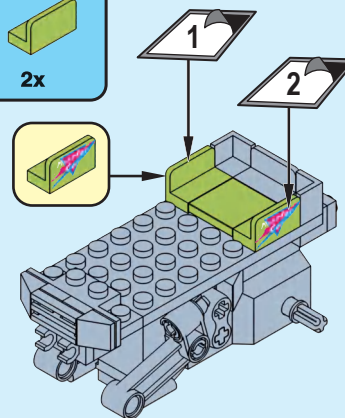
12



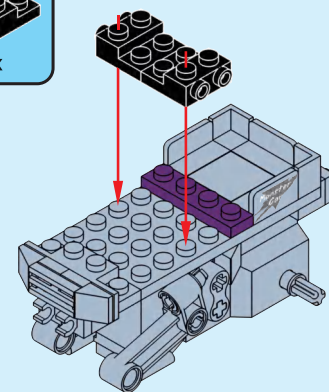
13



14



15



**1x3**  
2x

**16**

1x 1x 2x

**17**

1x 2x

**18**

1x 2x

**19**

1x 1x

**20**

1x 1x

**21**

1x 4x4

**22**

2x 1x 1x 4x

**23**

1x 2x

**24**

2x 2x

**25**

1x 1x

**26**

4x 4x

**27**

# Instructions

5+  
years

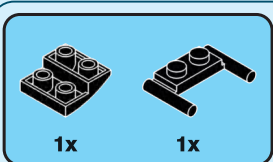


ADULT ASSISTANCE IS RECOMMENDED

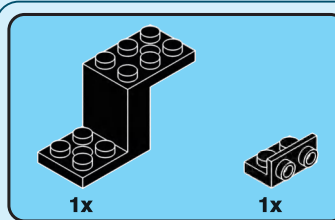
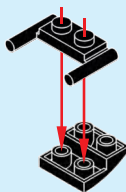
**WARNING: CHOKING HAZARD**  
SMALL PARTS. NOT FOR CHILDREN UNDER 3 YEARS.

Red Monster

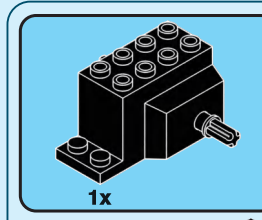
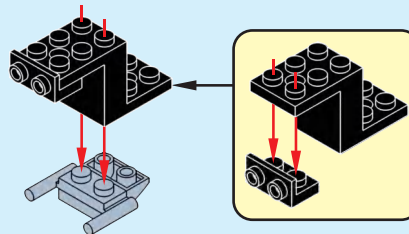
Vehicle Series  
**98**  
PIECES  
Difficulty Level



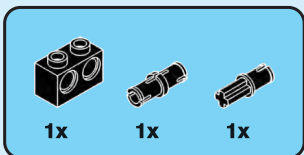
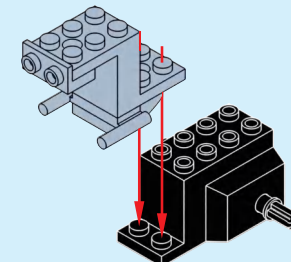
1



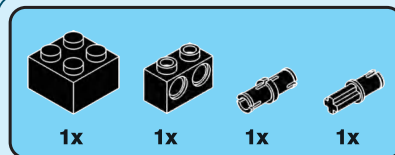
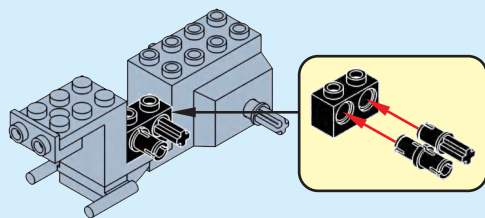
2



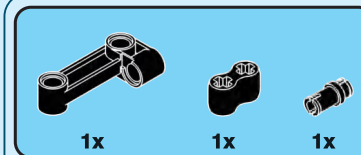
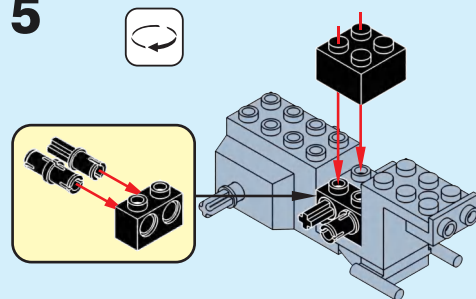
3



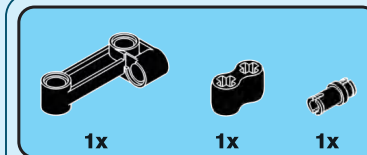
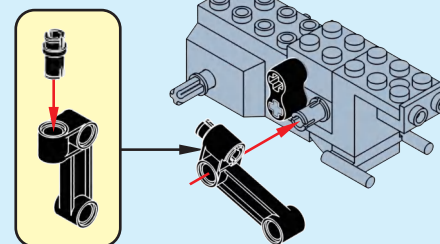
4



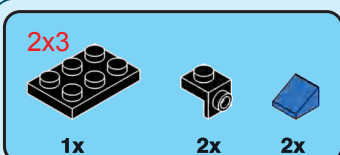
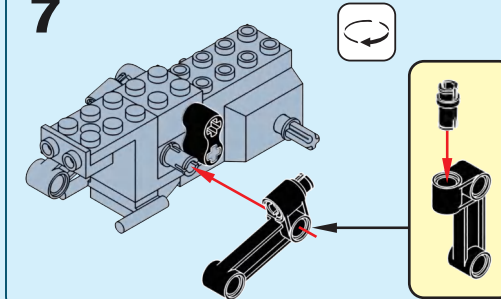
5



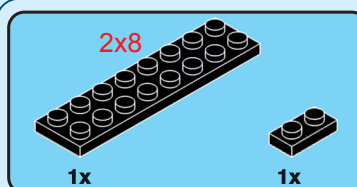
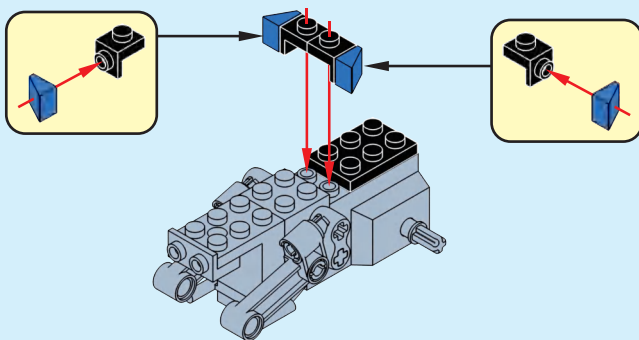
6



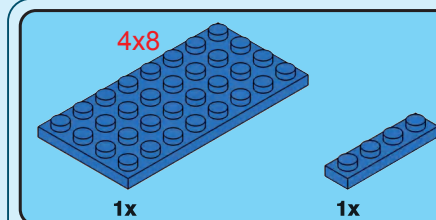
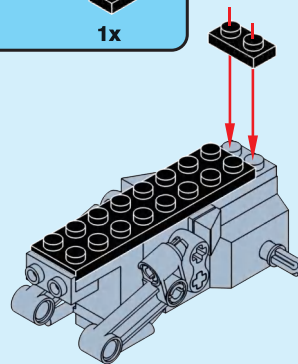
7



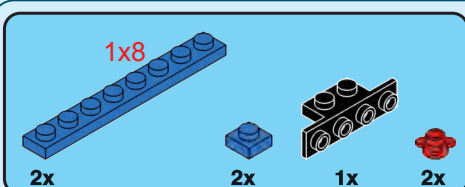
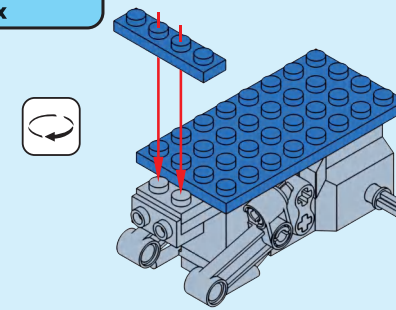
8



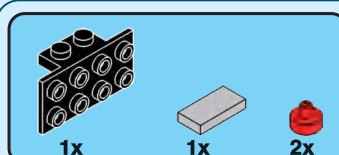
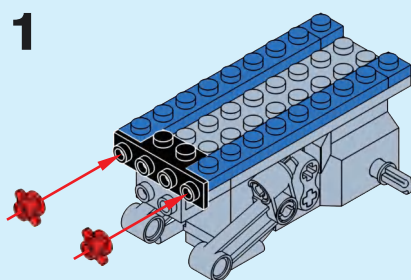
9



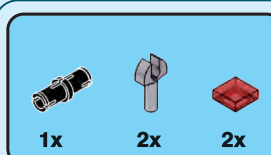
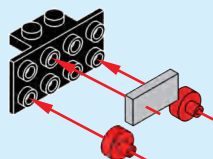
10



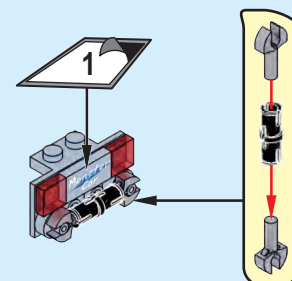
11



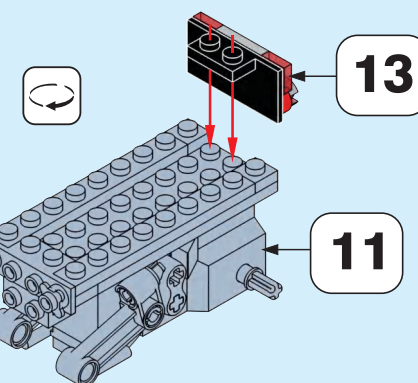
12



13



14



**15**

2x 1x 2x 1x

**16**

1x 3x 3x

1:1

**17**

15

16

**18**

3x 1x 1x

**19**

1x 1x 1x

**20**

1x 3x 2x 4x

**21**

4x6

1x 1x 1x

2

**22**

1x 1x 4x

**23**

1x 2x

**24**

2x

**26**

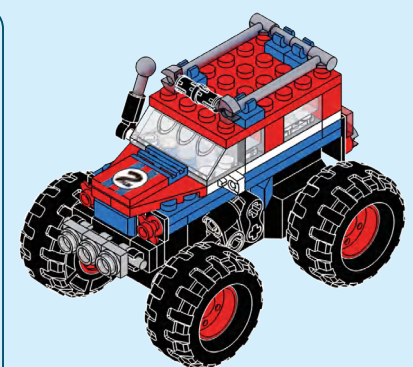
1x 1x

1:1

**27**

4x 4x

4x



**25**

24

22

