

Assembly Instructions







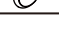
43463800 BOBBY BEDSIDE TABLE

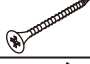





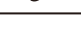
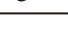
CARE INSTRUCTION: Wipe clean with a soft dry or damp cloth. Keep away from water and direct sunlight. For indoor and domestic use. Check and tighten all parts regularly.

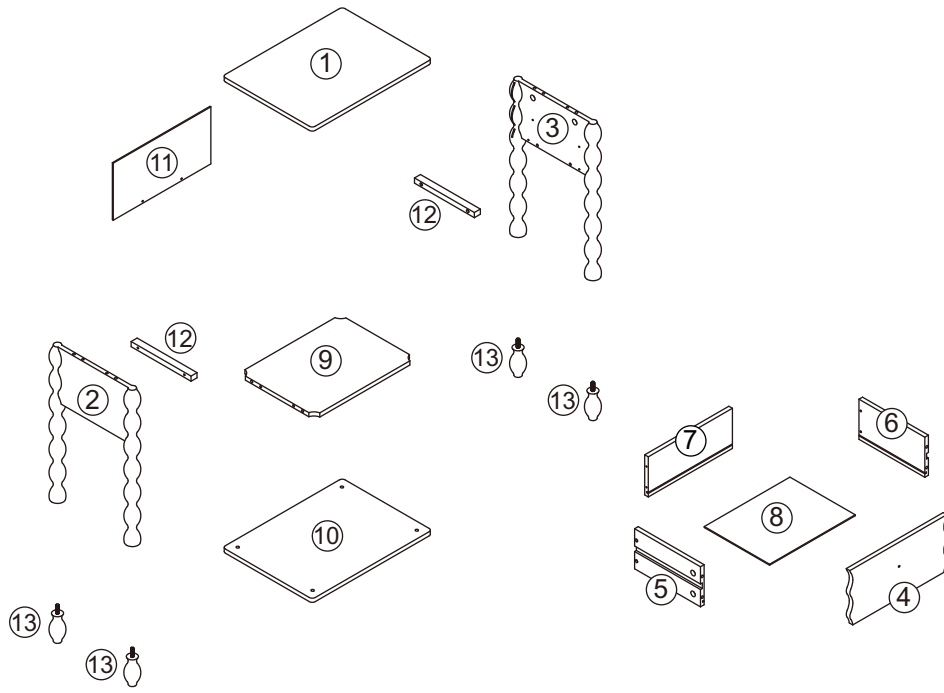
WARNINGS: Do not stand or sit on the unit. Do not lean on the product. Do not drag the product. Use only on a flat surface. Do not use until all screws, bolts and knobs are firmly secured. This product contains small parts and sharp points, keep away from children and babies. Adult assembly required. Failure to follow these warnings could result in serious injury.

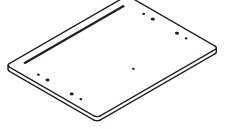
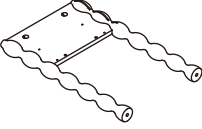
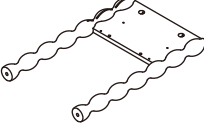
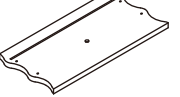
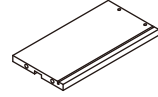
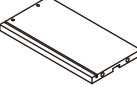
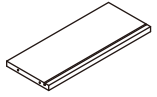
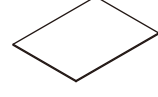
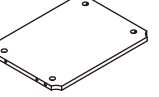
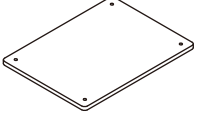
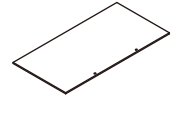
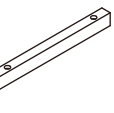

MAXIMUM TOTAL LOADING WEIGHT: 5KGS FOR TOP PANEL, 5KGS FOR SHELF, 2KGS FOR DRAWER, 12KGS IN TOTAL.

Hardware list

	a		12PCS
	b		12PCS
	c	4X25mm	4PCS
	d	6X30mm	8PCS
	e	3X12mm	3PCS
	f	4X18mm	1PC
	g		1PC

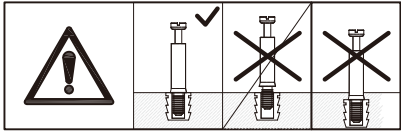
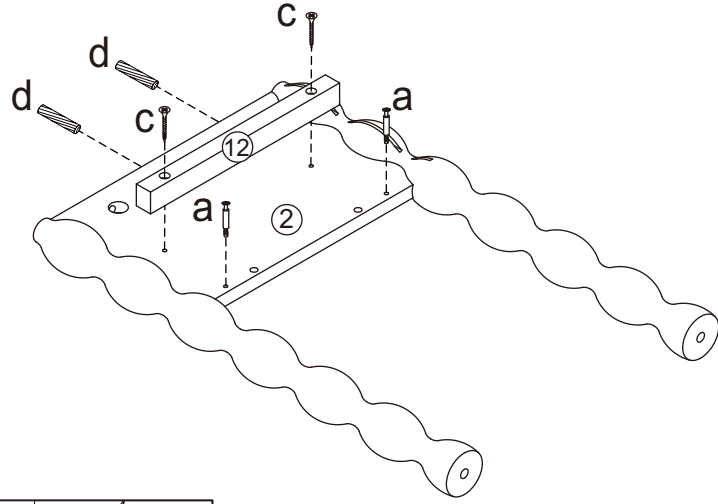
	h	4X35mm	4PCS
	i		1PC
	j		2PCS
	k		1PC
	l	4X14mm	1PC
	m	4X35mm	1PC
	n		1PC
	o		4PCS



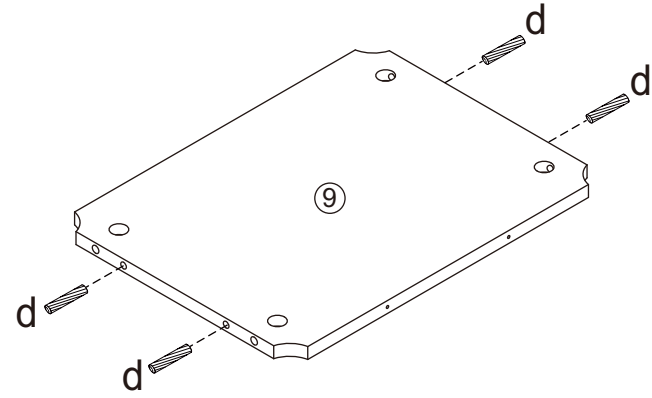
		
① 1 PC	② 1 PC	③ 1 PC
		
④ 1 PC	⑤ 1 PC	⑥ 1 PC
		
⑦ 1 PC	⑧ 1 PC	⑨ 1 PC
		
⑩ 1 PC	⑪ 1 PC	⑫ 2 PCS
		
⑬ 4 PCS		

DO NOT TIGHTEN THE SCREWS UNTIL THE PRODUCT IS FULLY ASSEMBLED.

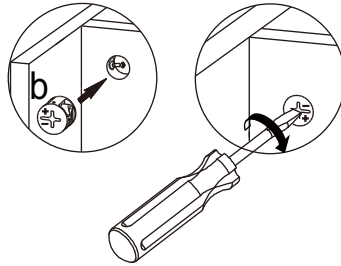
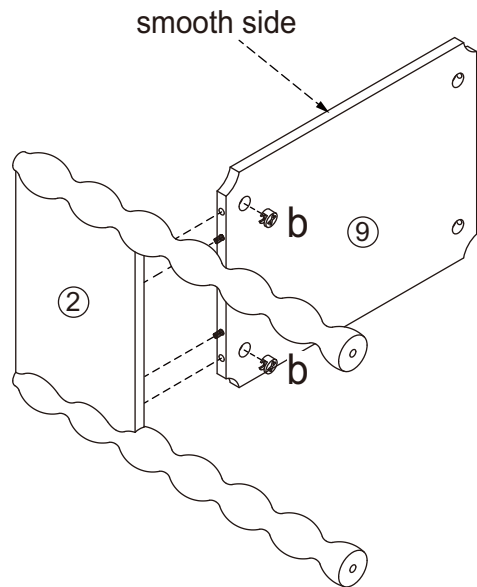
STEP 1



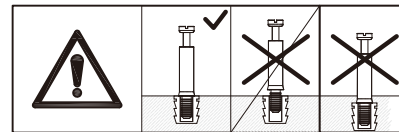
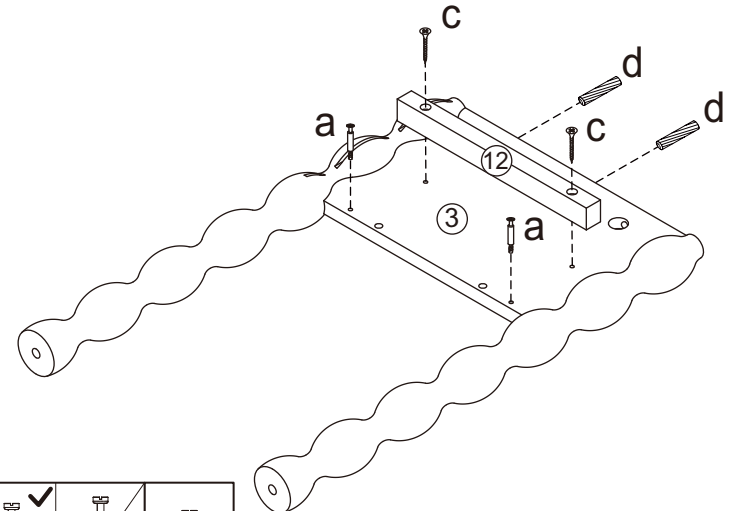
STEP 2



STEP 3

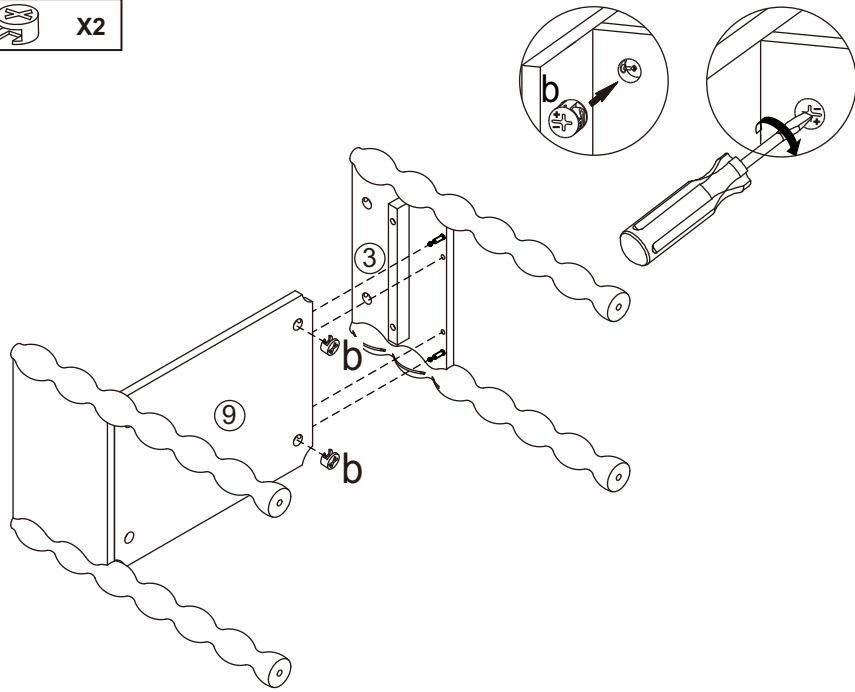


STEP 4

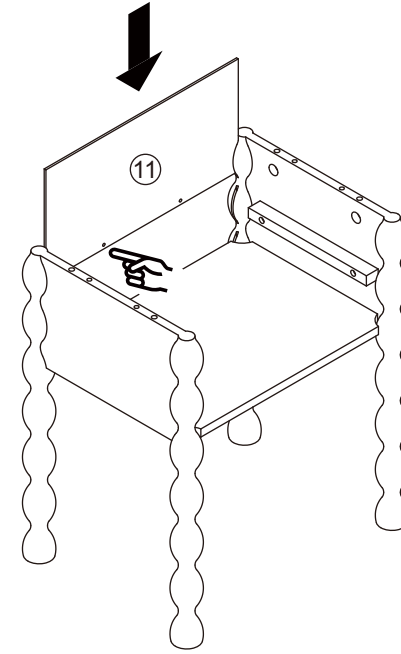


STEP 5

 X2

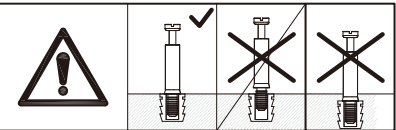
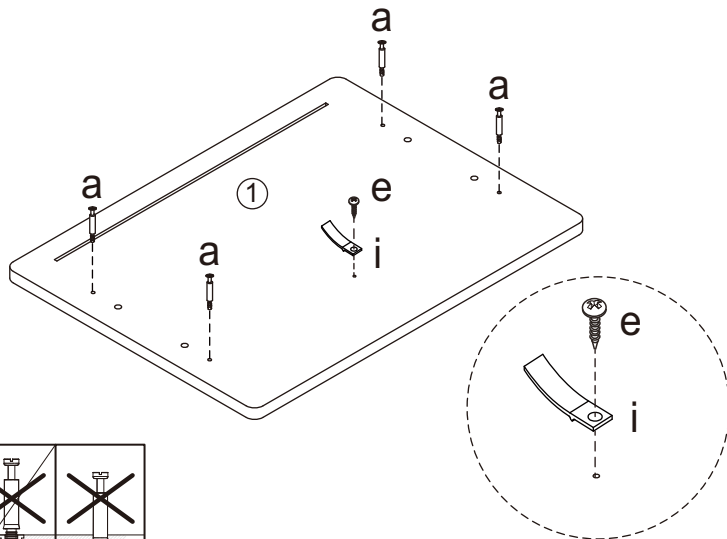


STEP 6



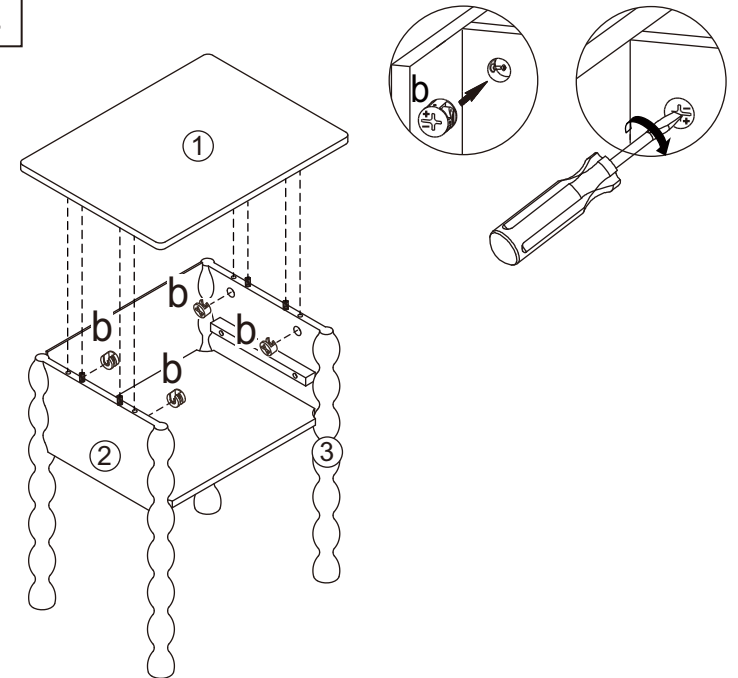
STEP 7

 X4  X1  X1



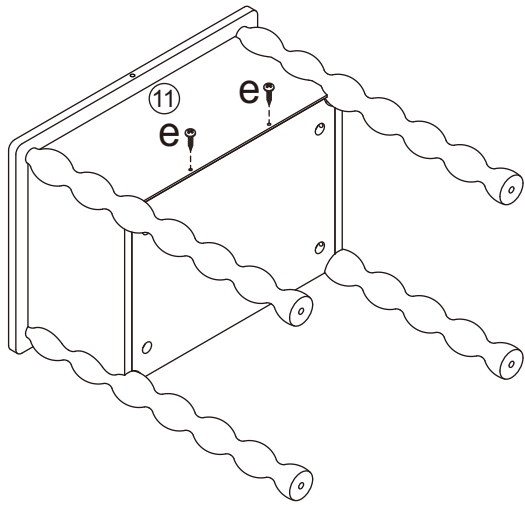
STEP 8

 X4

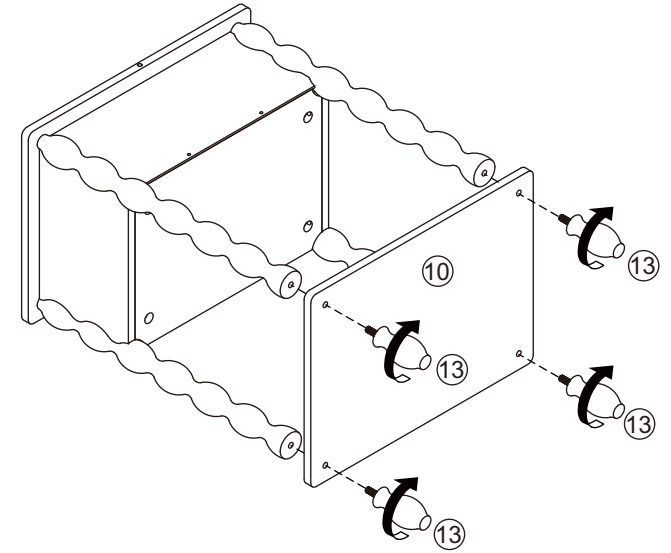


STEP 9

 X2

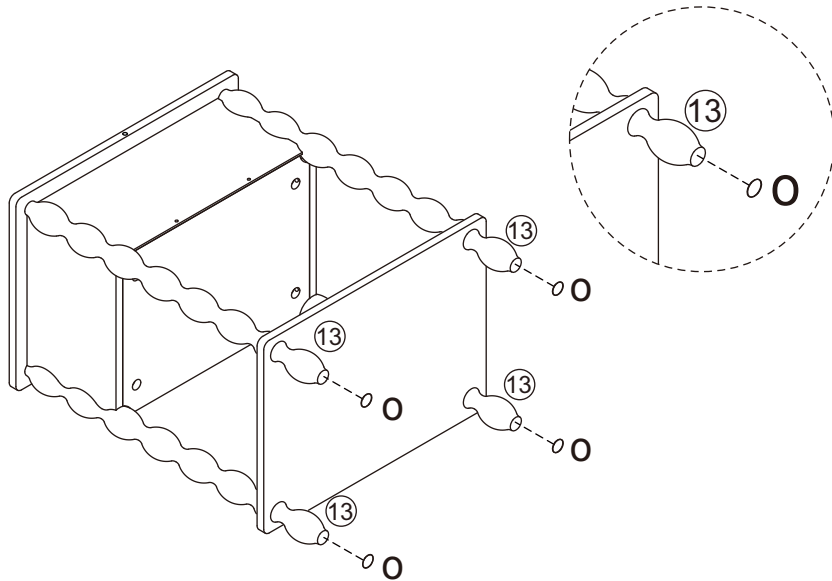


STEP 10



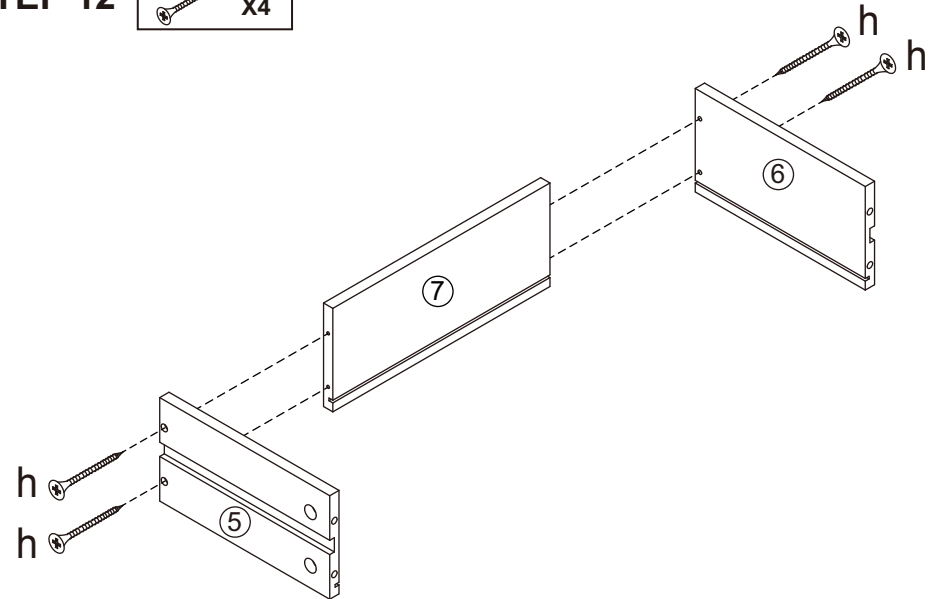
STEP 11

 X4

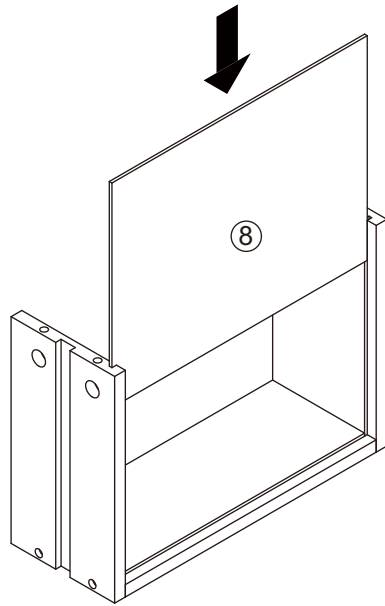


STEP 12

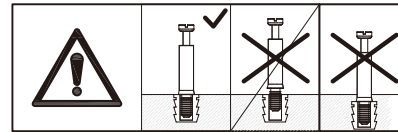
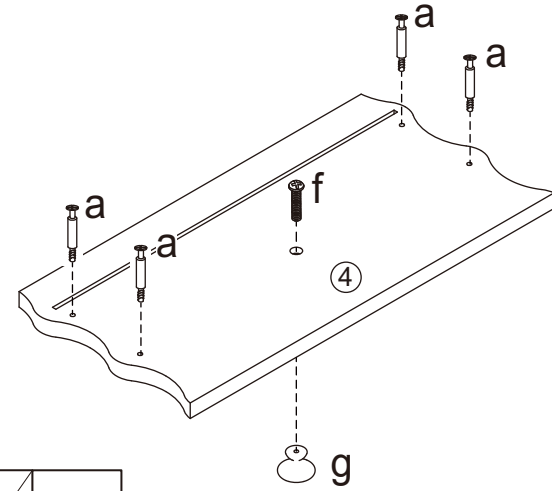
 X4



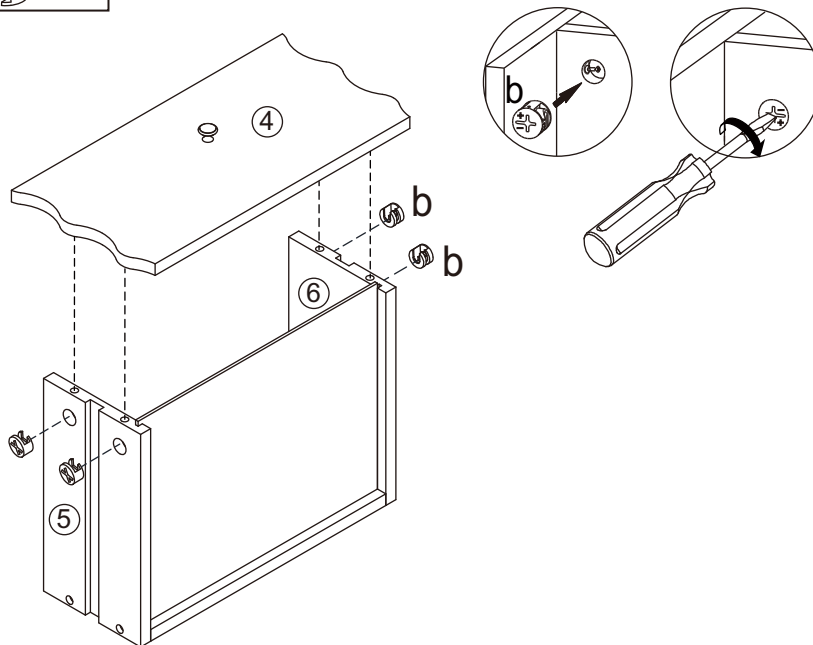
STEP 13



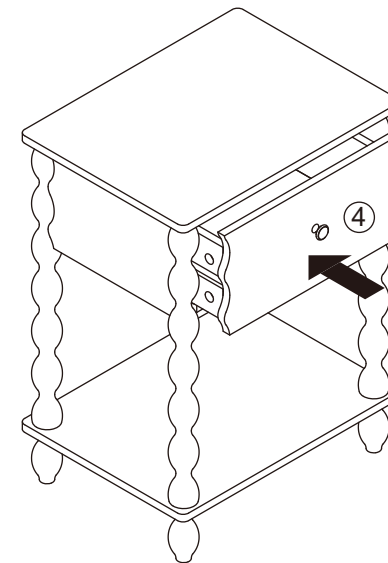
STEP 14



STEP 15



STEP 16

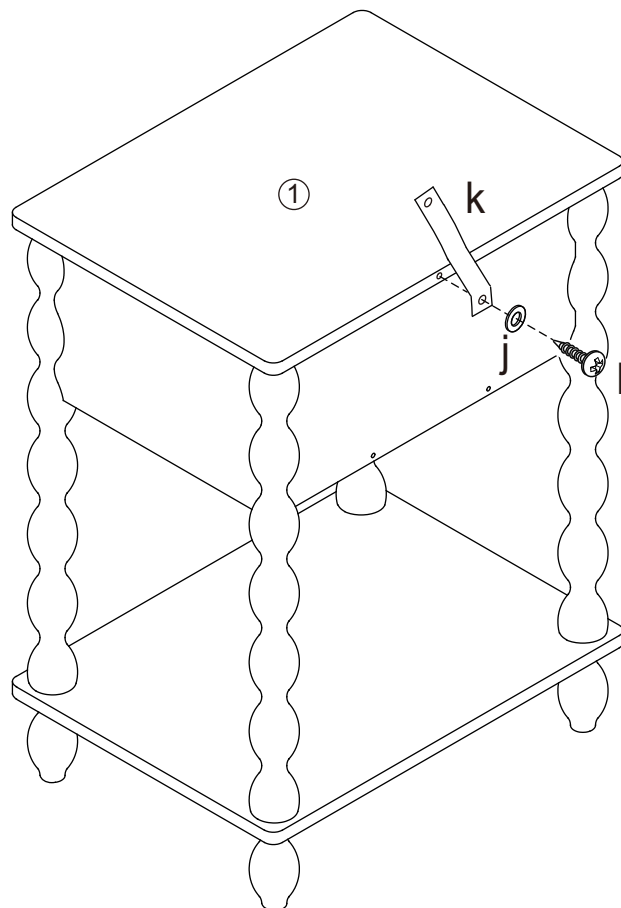


STEP 17

@ X1

X1

X1



STEP 18

@ X1

X1

X1

Warning:

- It is strongly recommended that this product is permanently fixed to the wall.
- Please seek professional advice if you are in doubt of what fixing device to use.
- Regularly check that anchors are securely maintained.
- Use safety drawer locks to prevent children climbing.
- Stability of tall items may be affected by thick pile carpet or uneven floors.
- Do not place unanchored televisions on furniture.

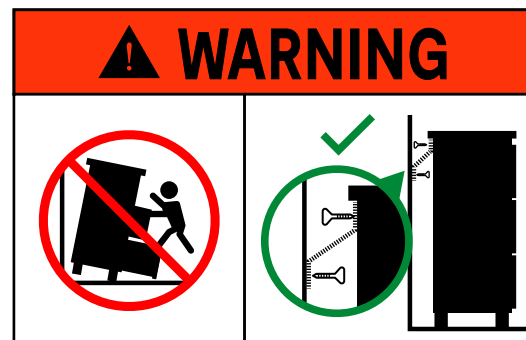
Caution: for your safety when attaching the anchor fixings, please note the following:

- Check any electrical wires or plumbing inside the wall before drilling any holes (if you are unsure please seek professional advice from a qualified tradesperson)



TOPPLING HAZARD

WARNING: PLEASE SECURE YOUR FURNITURE WITH THE SUPPLIED WALL FIXING. SCAN THE CODE FOR MORE INFORMATION.



Children have died from furniture tipover.

- ALWAYS secure it with an anchor device.
- NEVER allow children to stand, climb or hang on drawers, doors, or shelves.
- NEVER open more than one drawer at a time.
- Place heavy items down low.
- Furniture type is at risk of toppling over.

NEVER put a TV on this furniture



This is a permanent label. Do not remove!

