

Assembly Instructions

CARE INSTRUCTIONS: 43463824 CAMILLE CHEST OF DRAWER






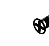
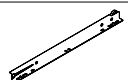

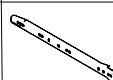







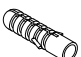


TO BE ASSEMBLED ON A CLEAN, DRY AND SMOOTH SURFACE. WIPE CLEAN WITH A SOFT DAMP CLOTH. NEVER USE SCOURERS, ABRASIVES OR CHEMICAL SOLVENTS. CHECK AND TIGHTEN ALL PARTS REGULARLY. KEEP AWAY FROM MOISTURE AND DIRECT SUNLIGHT. STORE IN A DRY PLACE. FOR INDOOR AND DOMESTIC USE ONLY.

WARNING:

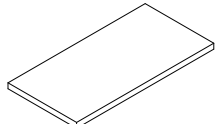
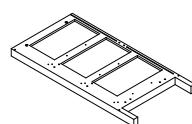
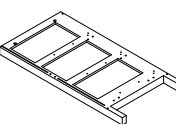
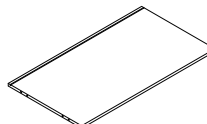
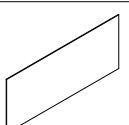
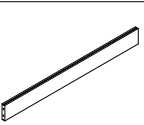
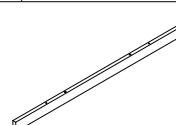
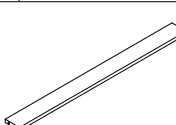
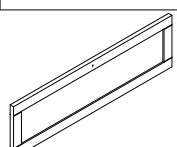
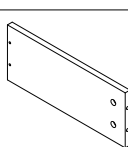
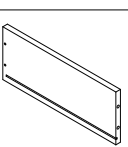
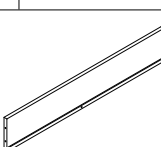
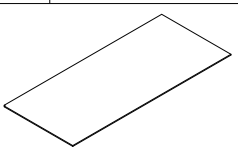
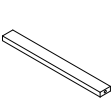
DO NOT STAND, SIT OR LEAN ON THIS UNIT. DO NOT USE THIS UNIT AS A STEP LADDER OR AS A CHOPPING SURFACE. KEEP AWAY FROM CHILDREN AND BABIES. ADULT ASSEMBLY REQUIRED. USE ONLY ON A FLAT SURFACE. DO NOT USE THIS UNIT UNLESS ALL BOLTS AND SCREWS ARE FIRMLY SECURED.

MAXIMUM SAFE LOAD: 15KG FOR TOP, 7KG FOR EACH DRAWER.

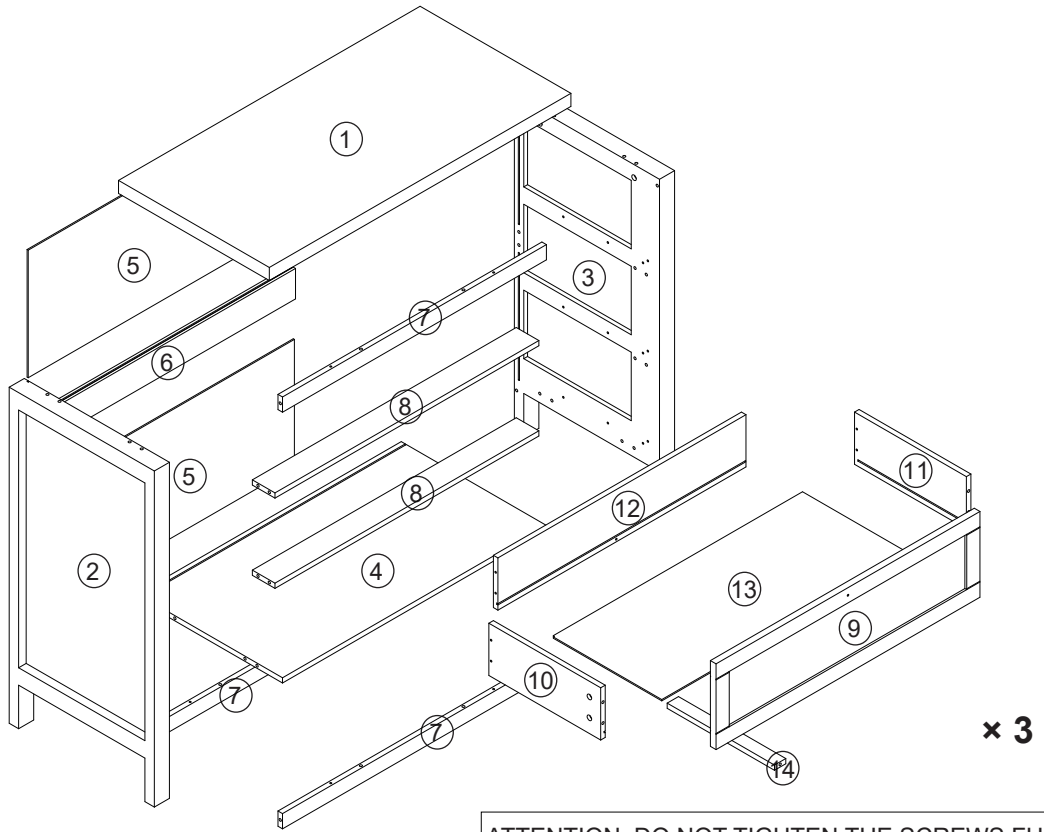
1 Hardware List

	A	6x30mm	20pcs		B	4x35mm	6pcs		C	4x30mm	15pcs
	D	6x35mm	35pcs		E	15x10mm	35pcs		F	3x12mm	44pcs
	G		3pcs		H		3pcs		I		3pcs
	J		3pcs		K		4pcs		L		3pcs
	M	4x25mm	3pcs		N		8pcs		O	3x14mm	8pcs
	P	4x40mm	2pcs		Q		2pcs		R		4pcs
	S		2pcs								

2 Parts List




							
①	1pc	②	1pc	③	1pc	④	1pc
							
⑤	2pcs	⑥	1pc	⑦	3pcs	⑧	2pcs
							
⑨	3pcs	⑩	3pcs	⑪	3pcs	⑫	3pcs
							
⑬	3pcs	⑭	3pcs				

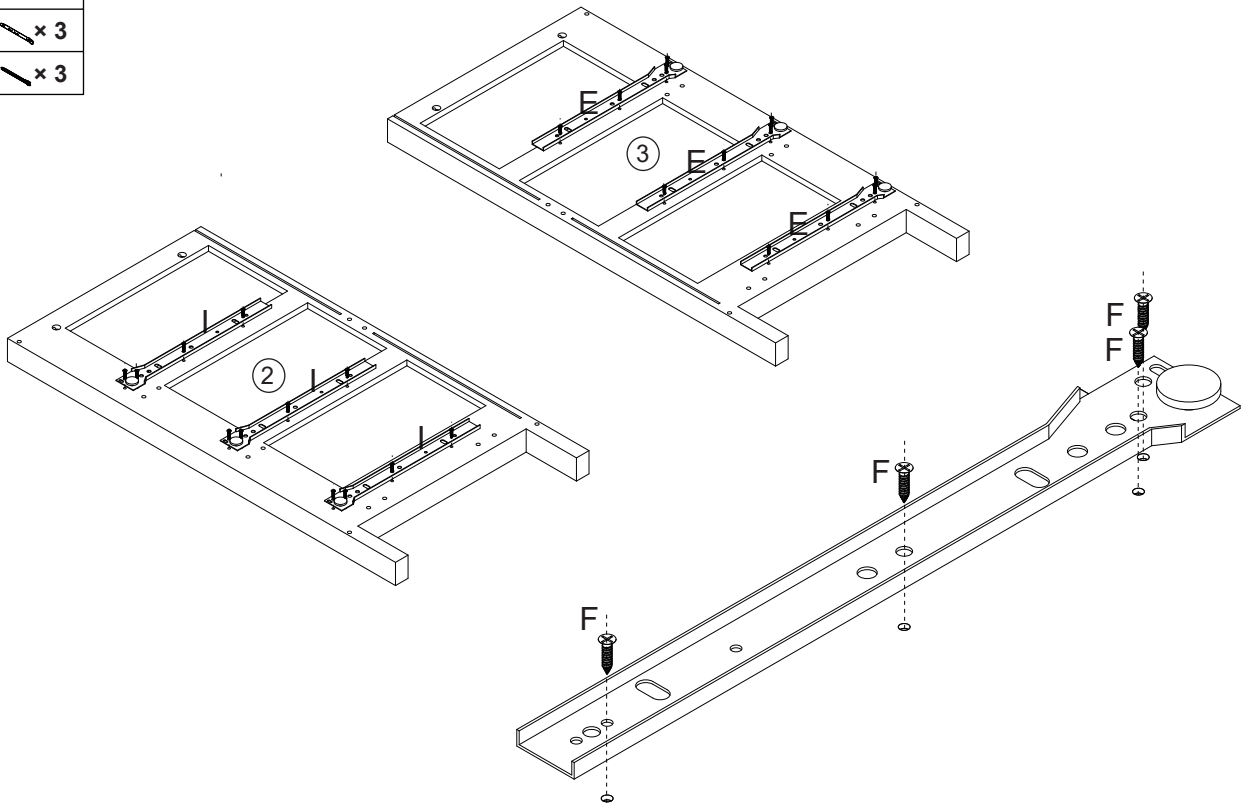
3





ATTENTION: DO NOT TIGHTEN THE SCREWS FULLY DURING ASSEMBLY. FULLY TIGHTEN SCREWS AFTER THE FINAL ASSEMBLY STEP.

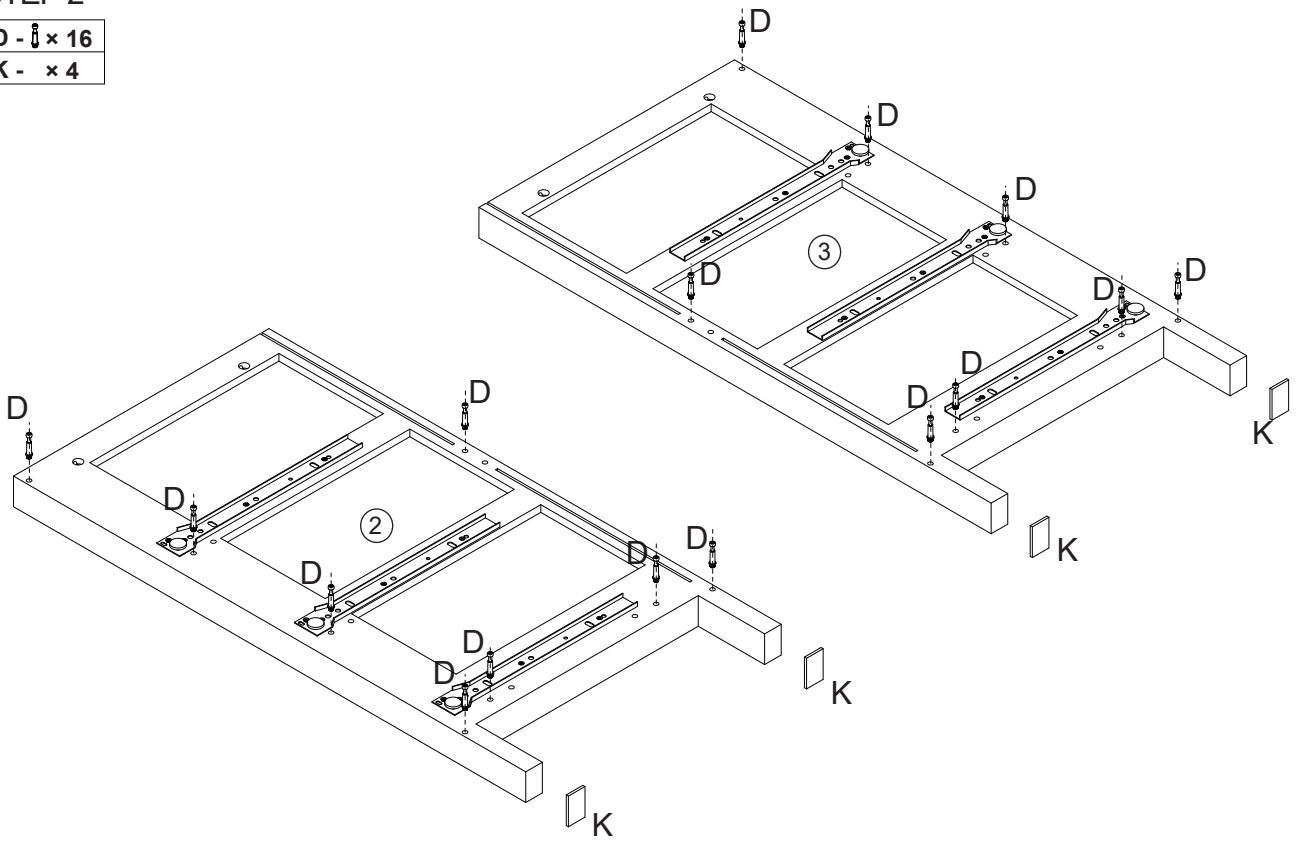
STEP 1

- F -  x 24
- I -  x 3
- E -  x 3





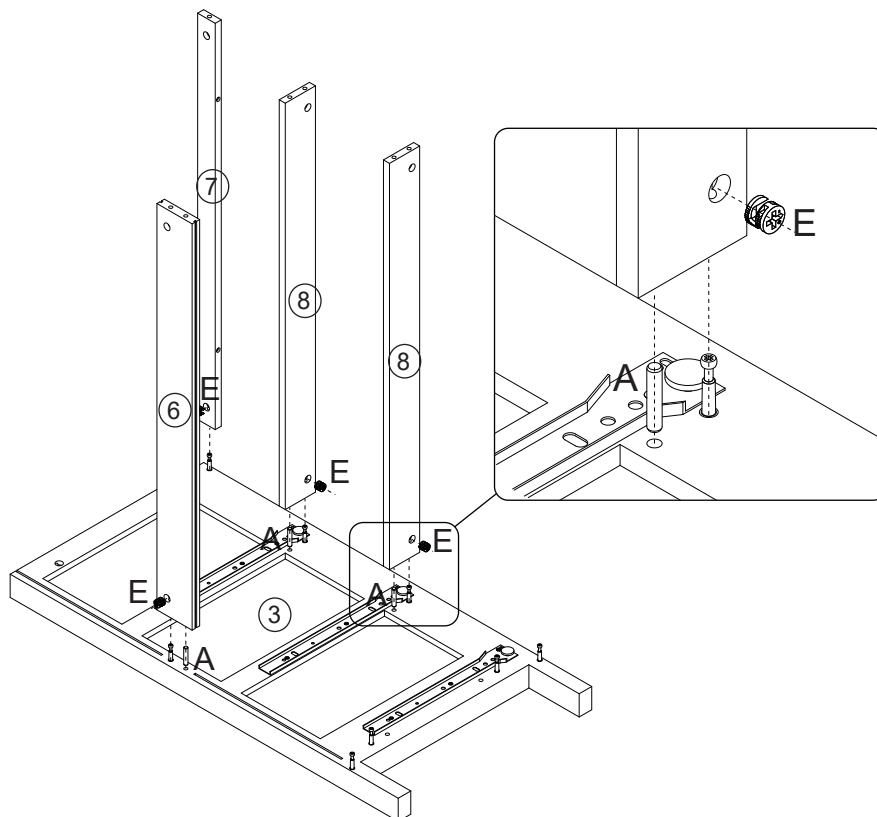
STEP 2

- D -  x 16
- K -  x 4

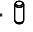



STEP 3

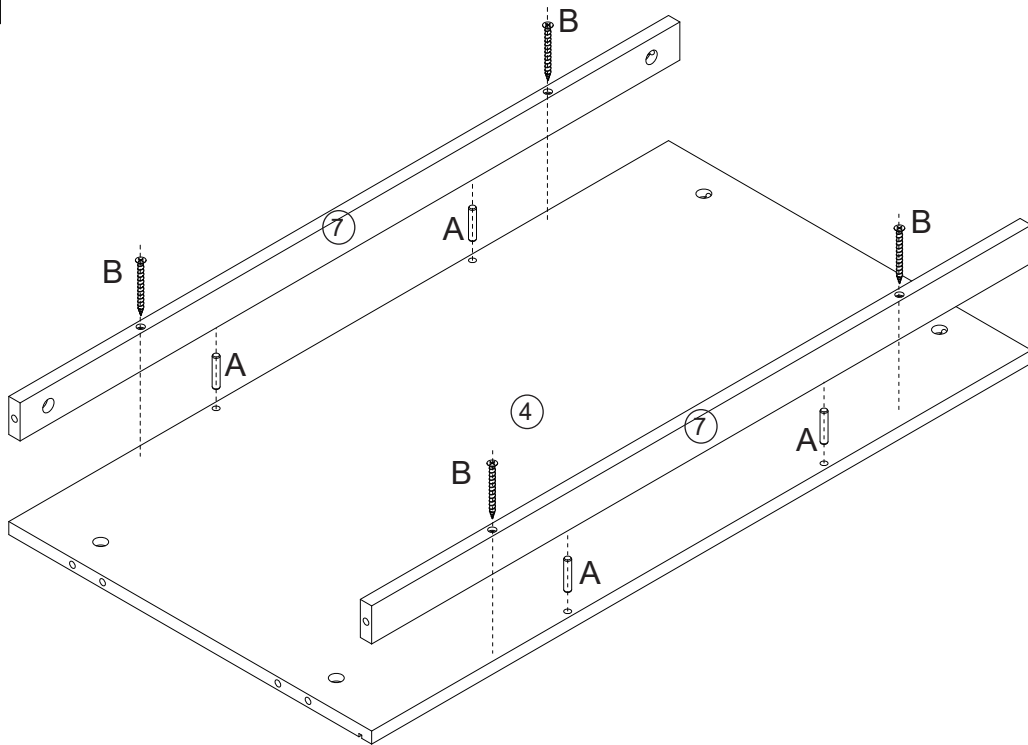
- A -  x 3
- E -  x 4



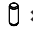
STEP 4

A -  x 4

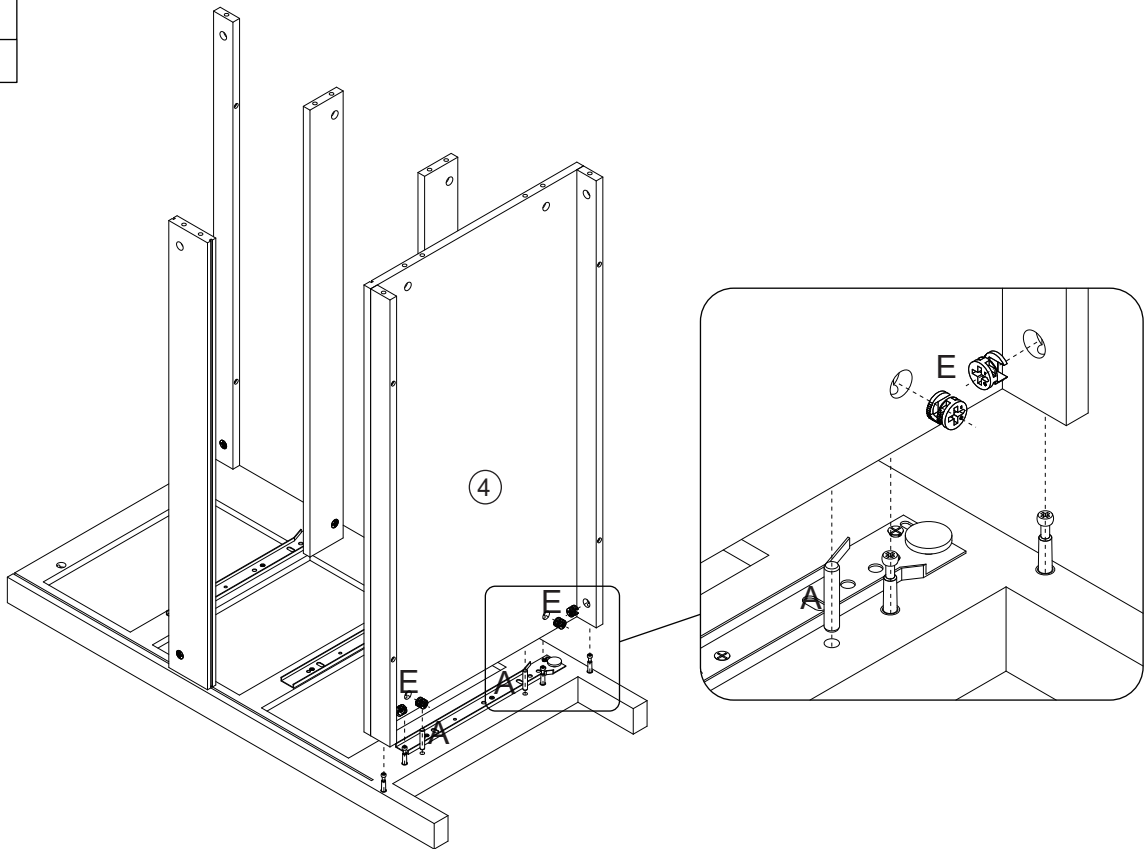
B -  x 4



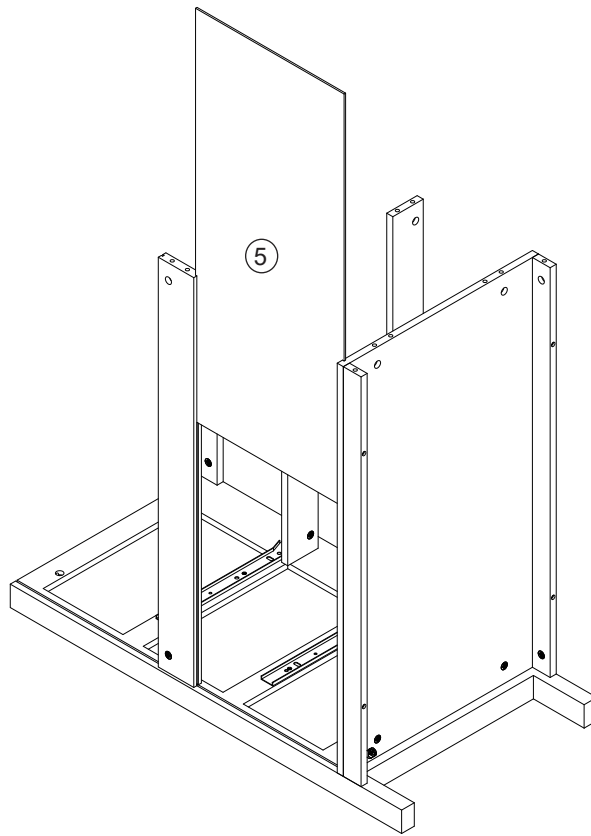
STEP 5

A -  x 2



E -  x 4

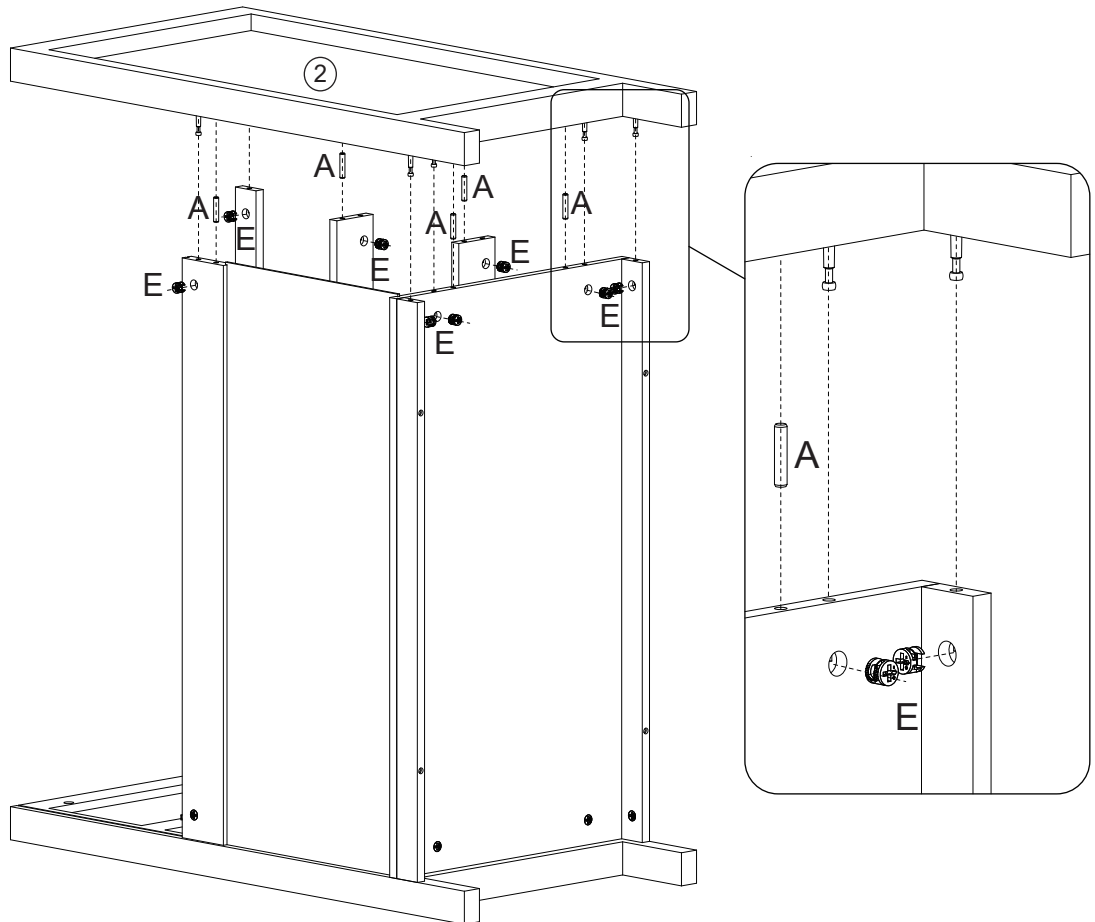


STEP 6

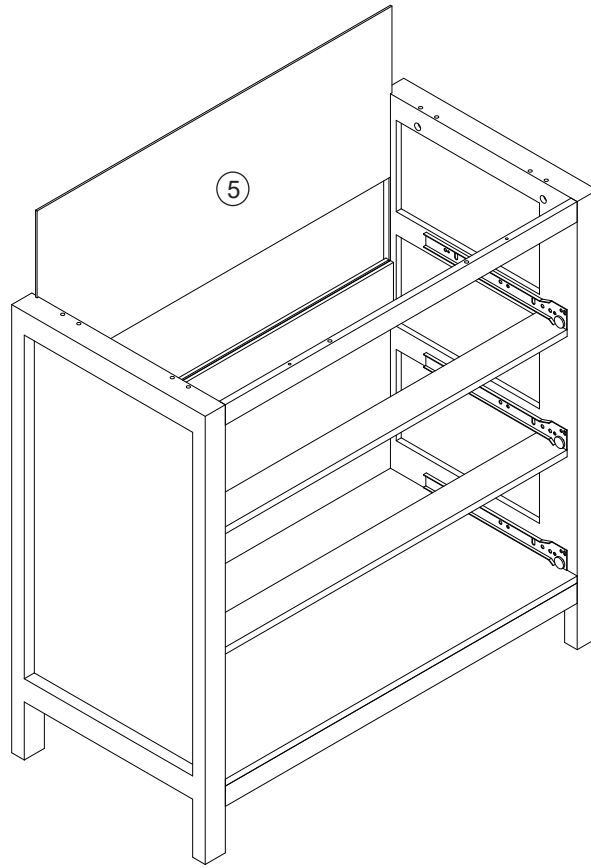


STEP 7

- A -  x 5
- E -  x 8

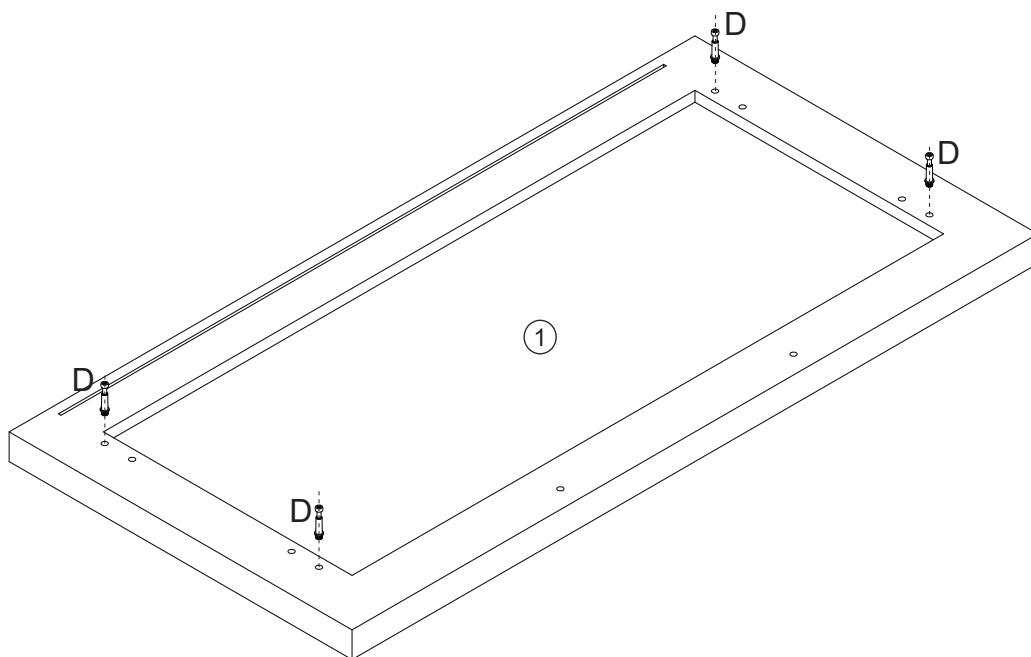


STEP 8






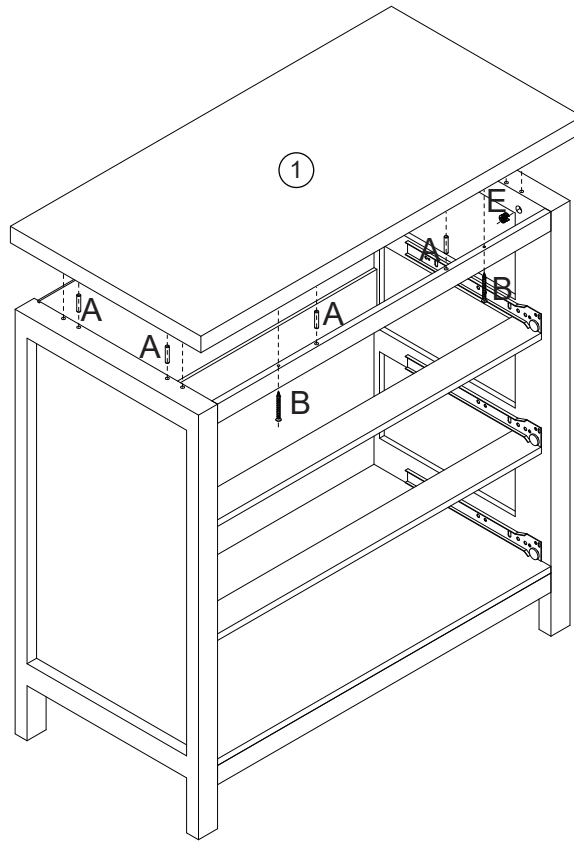
STEP 9

D - \bar{i} x 4





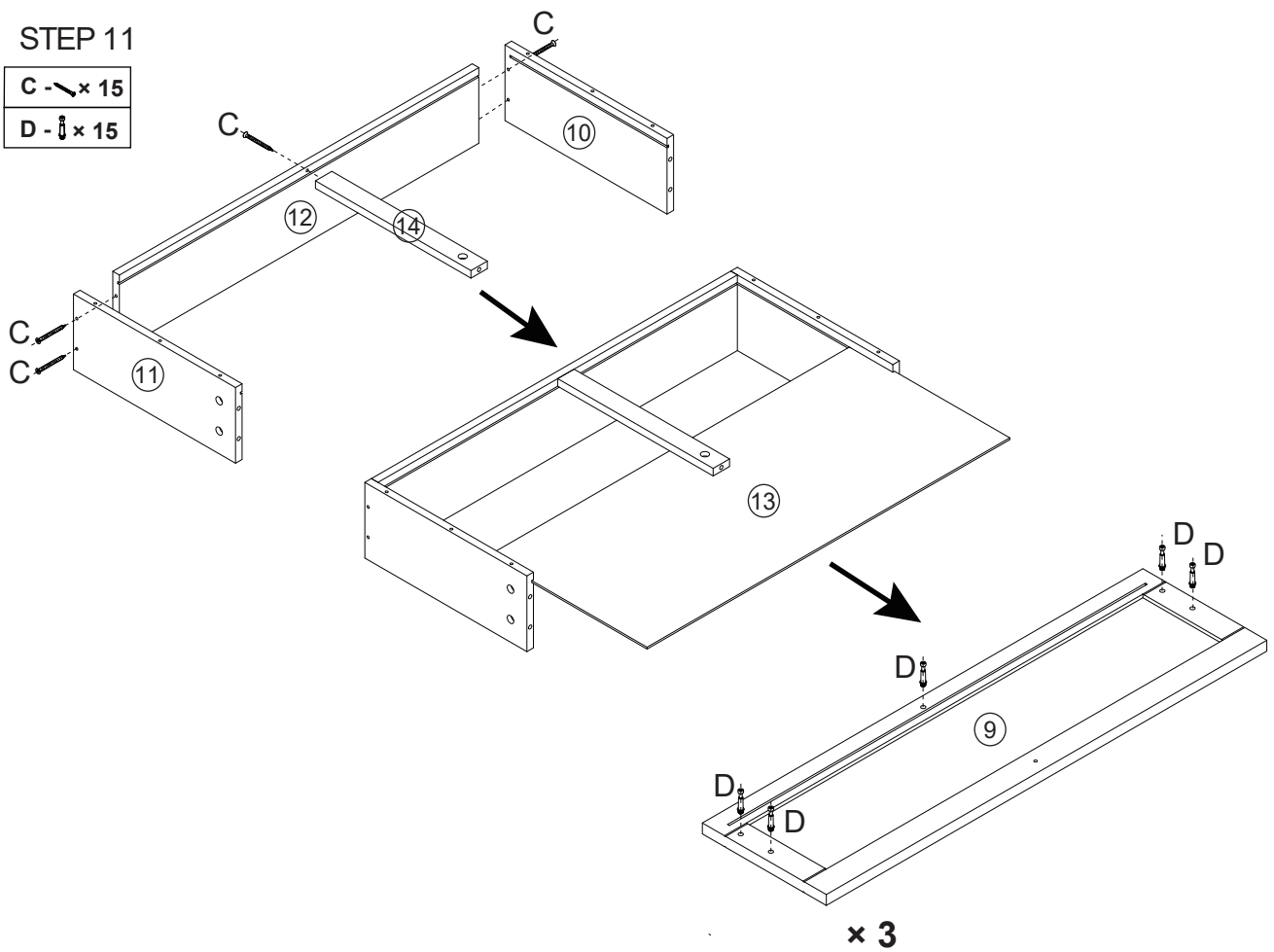
STEP 10

- A -  × 6
- B -  × 2
- E -  × 4



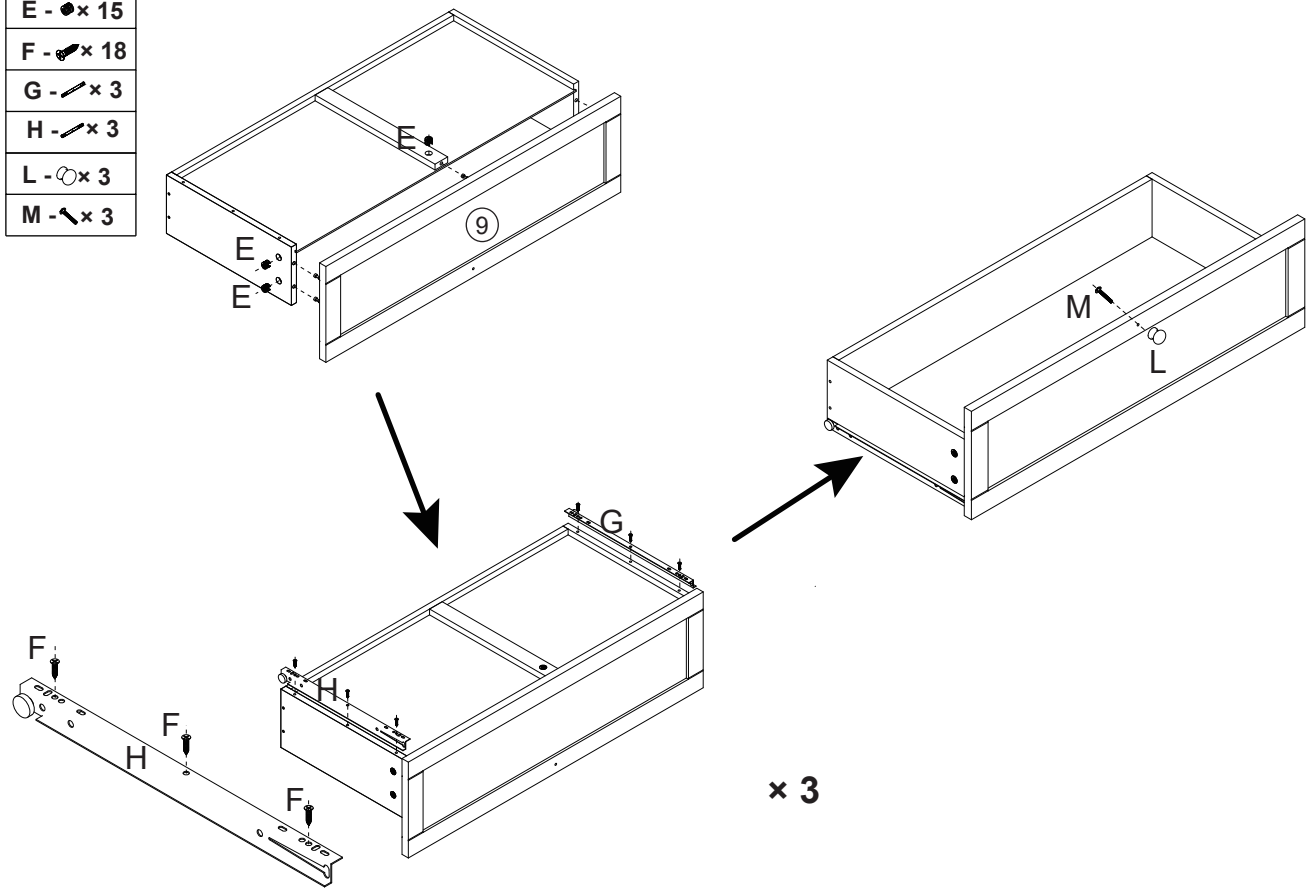
STEP 11

- C -  × 15
- D -  × 15

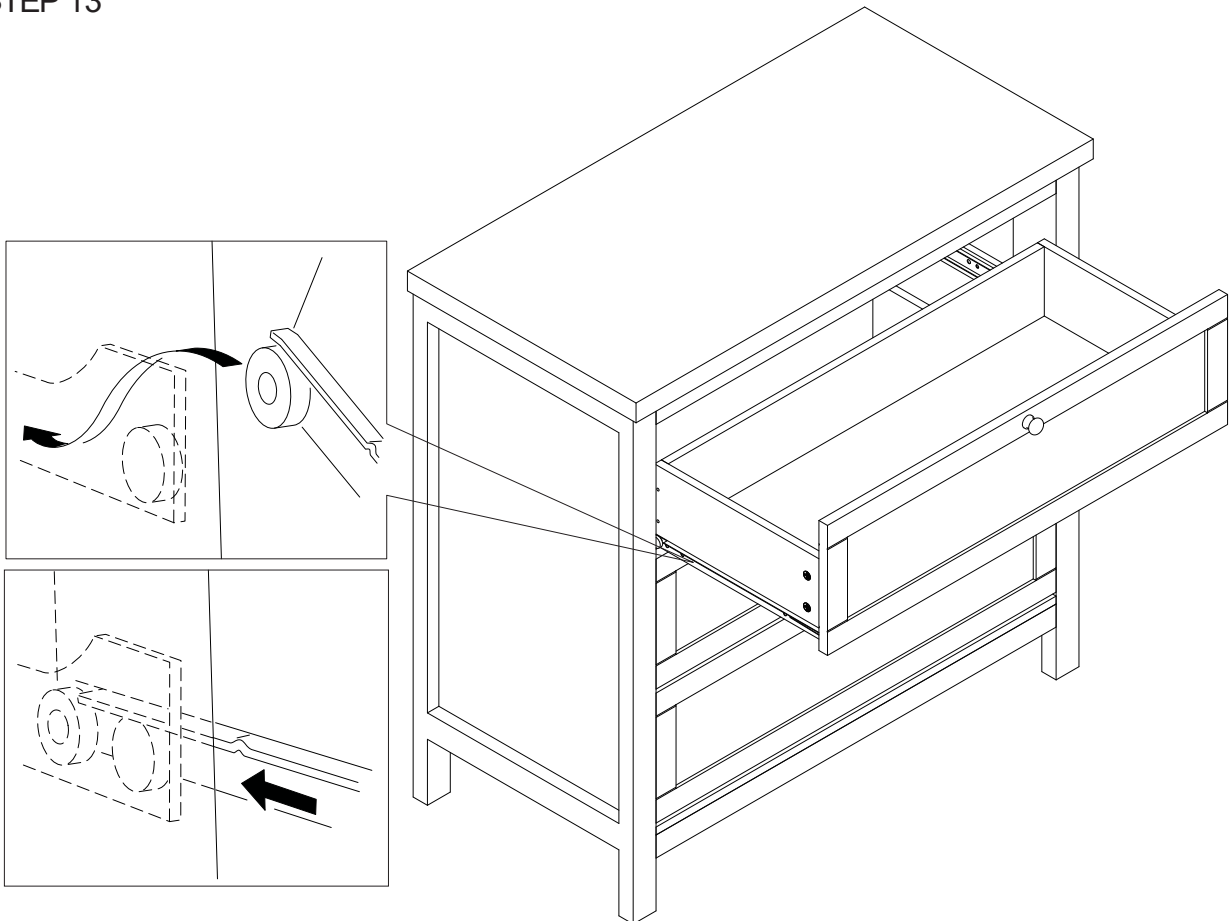


STEP 12




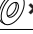

- E - ● × 15
- F - ⚡ × 18
- G - / × 3
- H - / × 3
- L - ○ × 3
- M - ↘ × 3

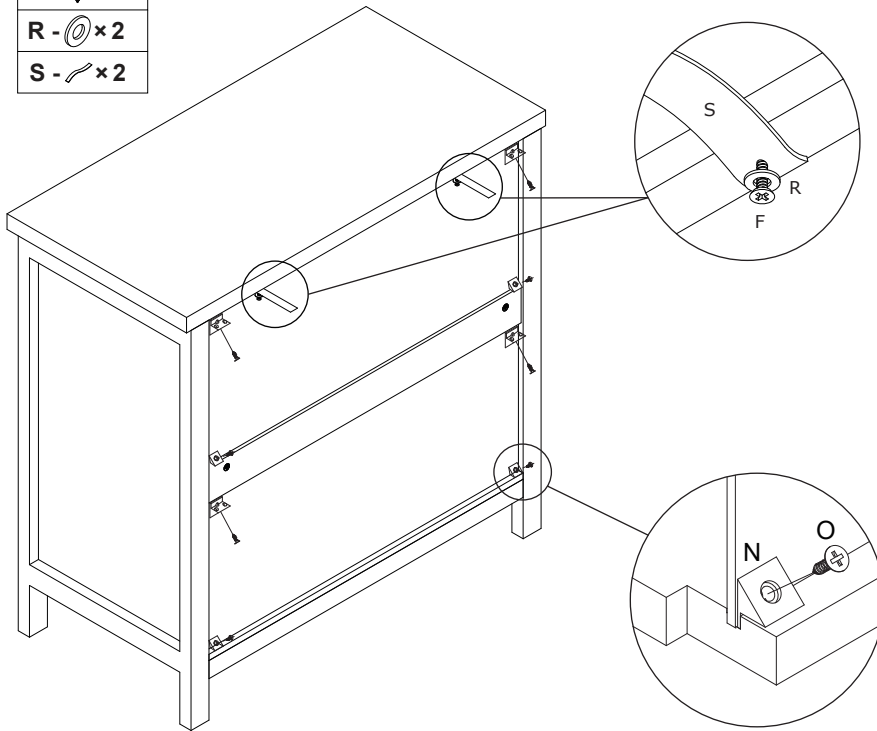


STEP 13

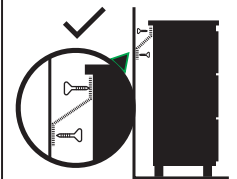


STEP 14

N -  × 8
F -  × 2
O -  × 8
R -  × 2
S -  × 2



⚠ WARNING



Children have died from furniture tipover.




- ALWAYS secure it with an anchor device.
- NEVER allow children to stand, climb or hang on drawers, doors, or shelves.
- NEVER open more than one drawer at a time.
- Place heavy items down low.

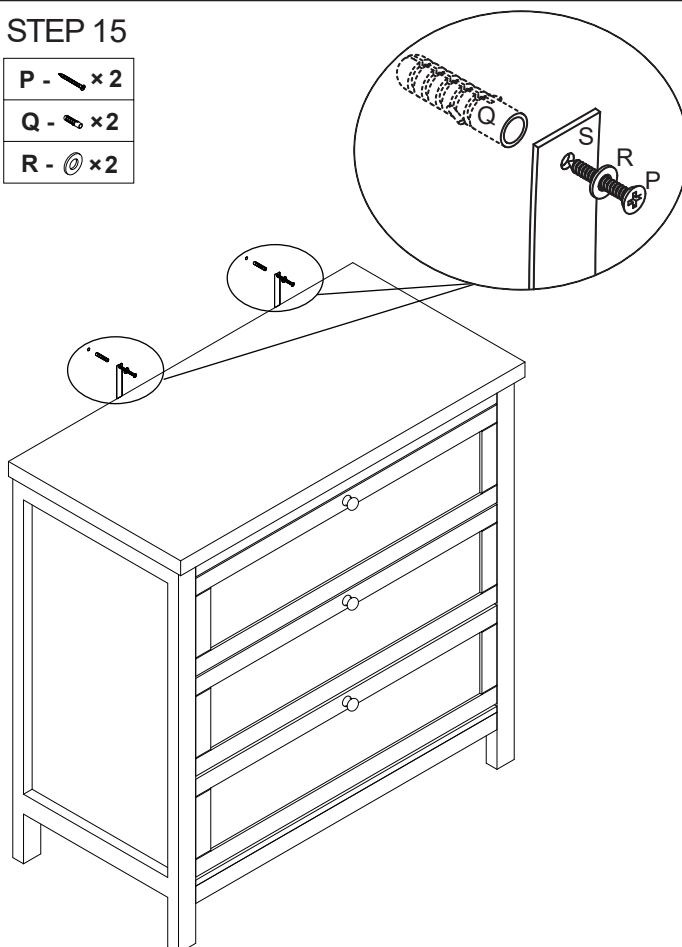
NEVER put a TV on this furniture



This is a permanent label. Do not remove!

STEP 15

P -  × 2
Q -  × 2
R -  × 2



TOPPLING FURNITURE WARNING:

- It is strongly recommended that this product is permanently fixed to the wall.
- Please seek professional advice if you are in doubt of what fixing device to use.
- Regularly check that anchors are securely maintained.
- Use safety drawer locks to prevent children climbing.
- Stability of tall items may be affected by thick pile carpet or uneven floors .
- Do not place unanchored televisions on furniture .

CAUTION: for your safety when attaching the anchor fixings, please note the following:

- Check any electrical wires or plumbing inside the wall before drilling any holes (if you are unsure please seek professional advice from a qualified tradesperson).



WARNING: PLEASE SECURE YOUR FURNITURE WITH THE SUPPLIED WALL FIXING. SCAN THE CODE FOR MORE INFORMATION.

