

Assembly Instructions










43463879 LINEAR SIDEBORD









CARE INSTRUCTION: Wipe clean with a soft dry or damp cloth. Keep away from water and direct sunlight. For indoor and domestic use. Check and tighten all parts regularly.

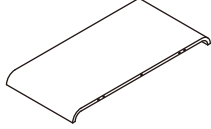
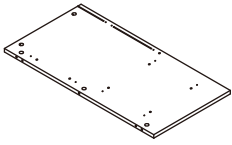
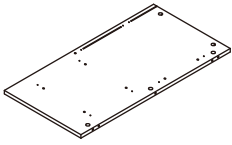
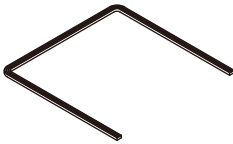
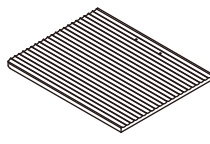
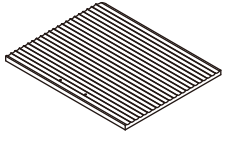
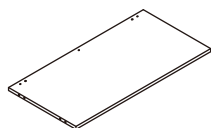
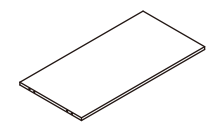
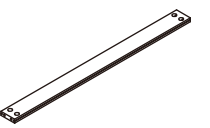
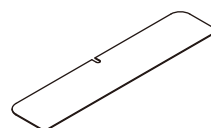
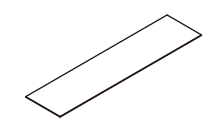
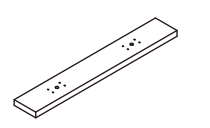

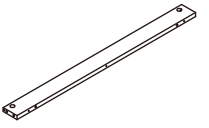
WARNINGS: Do not stand or sit on the unit. Do not lean on the product. Do not drag the product. Use only on a flat surface. Do not use until all screws, bolts and knobs are firmly secured. This product contains small parts and sharp points, keep away from children and babies. Adult assembly required. Failure to follow these warnings could result in serious injury.

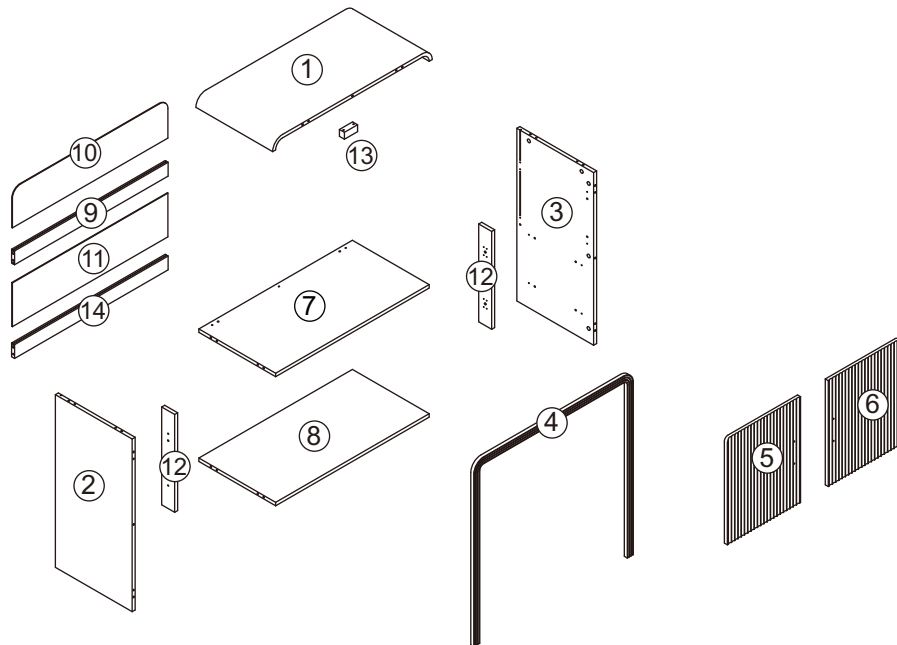
MAXIMUM TOTAL LOADING WEIGHT: 10KGS FOR EACH SHELF, 30KGS IN TOTAL.

Hardware list

	a		27PCS
	b		27PCS
	c	6X30mm	22PCS
	d	4X30mm	5PCS
	e	4X25mm	4PCS
	f		4PCS
	g	3.5X12mm	24PCS
	h		2PCS
	i	4X16mm	4PCS

	j		8PCS
	k	3X14mm	8PCS
	l	6X20mm	4PCS
	m	4X12mm	1PC
	n	4X30mm	1PC
	o		1PC
	p		1PC
	q		2PCS

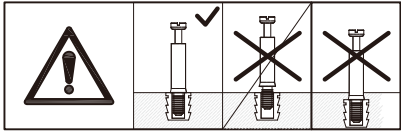
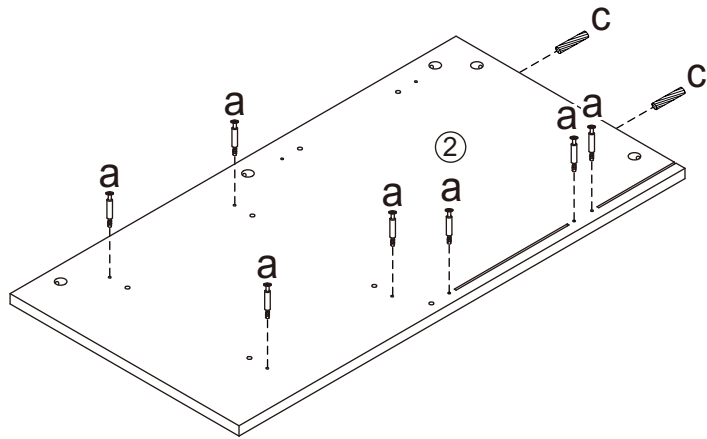
	①	1 PC		②	1 PC		③	1 PC
	④	1 PC		⑤	1 PC		⑥	1 PC
	⑦	1 PC		⑧	1 PC		⑨	1 PC
	⑩	1 PC		⑪	1 PC		⑫	2 PCS
	⑬	1 PC		⑭	1 PC			



DO NOT TIGHTEN THE SCREWS UNTIL THE PRODUCT IS FULLY ASSEMBLED.

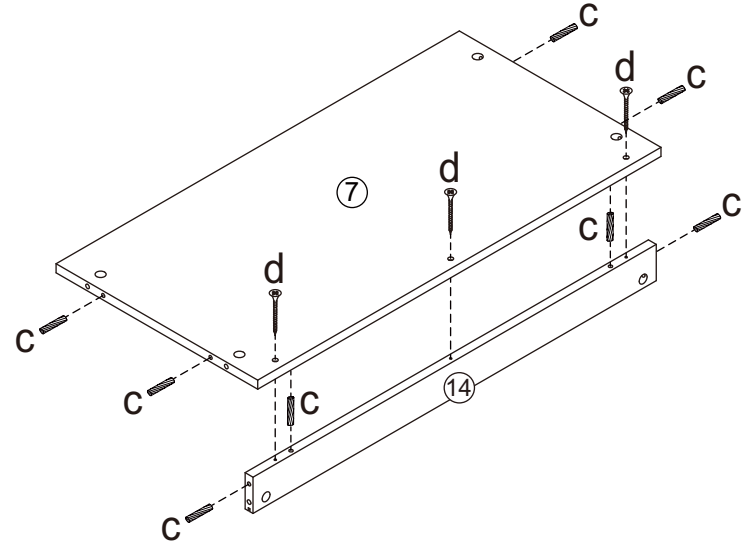
STEP 1

 X7  X2



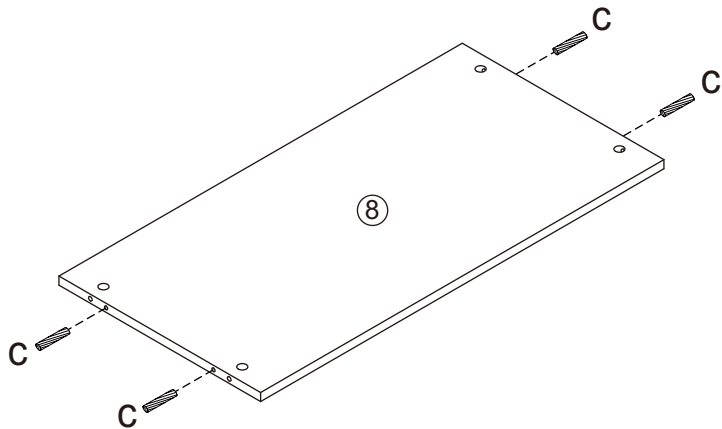
STEP 2

 X8  X3



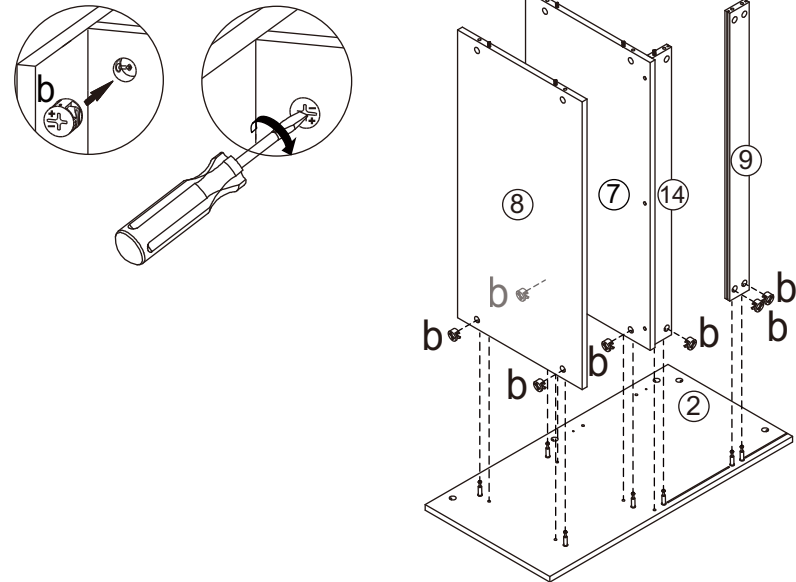
STEP 3

 X4

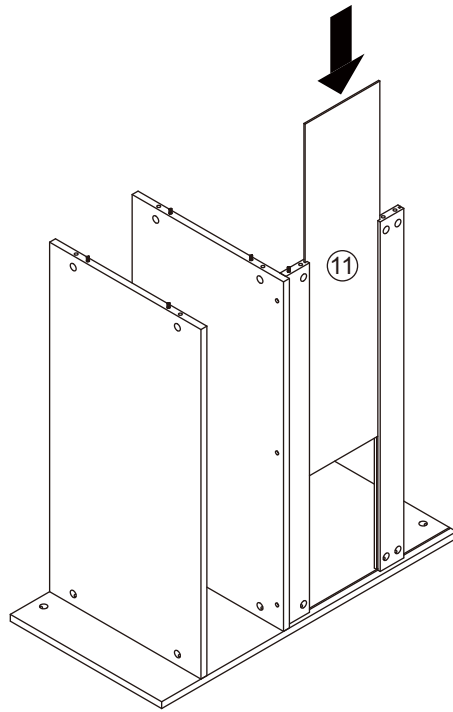


STEP 4

 X7

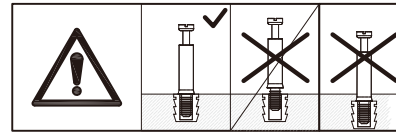
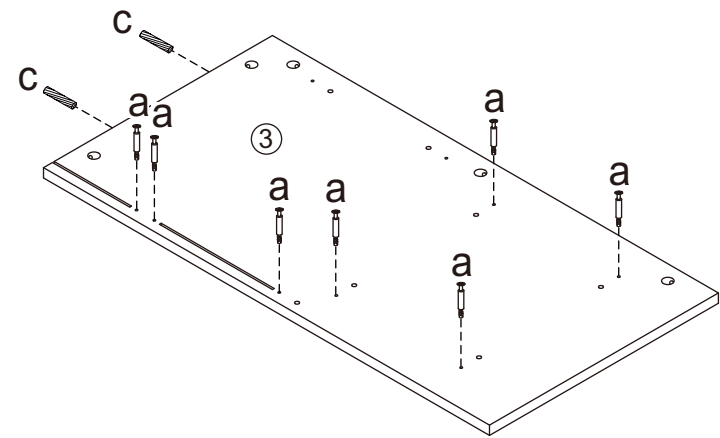


STEP 5



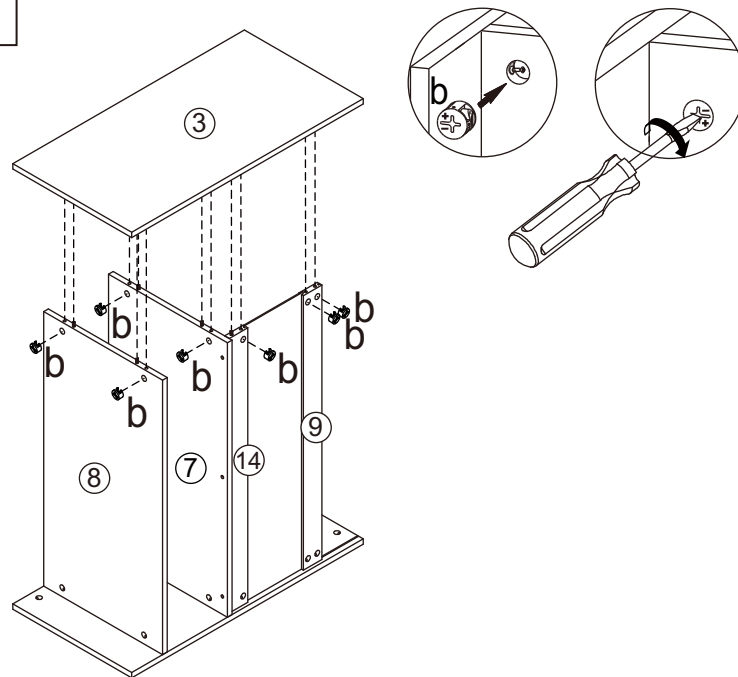
STEP 6

 X7  X2

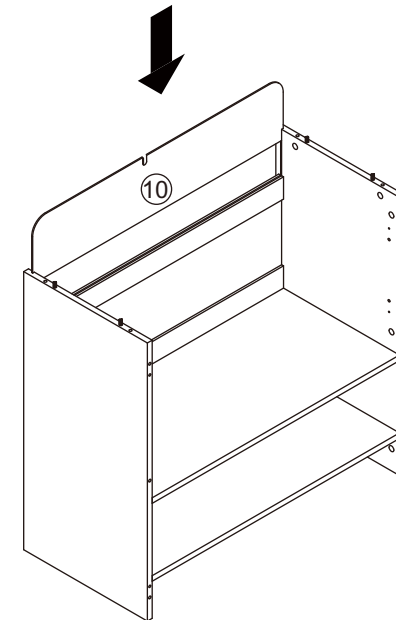


STEP 7

 X7

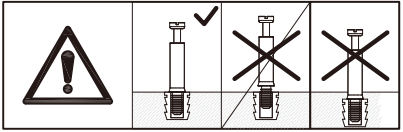
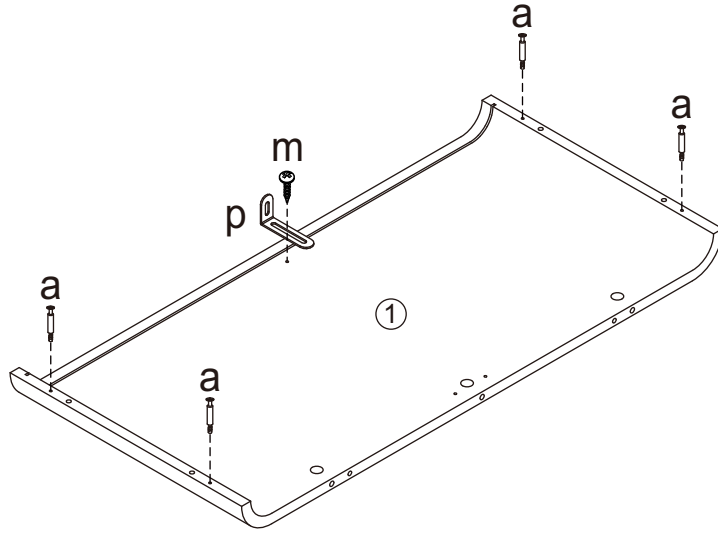
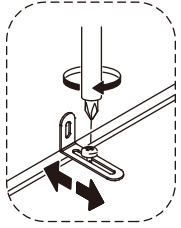
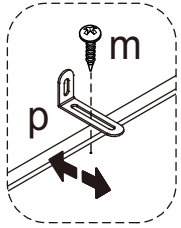


STEP 8




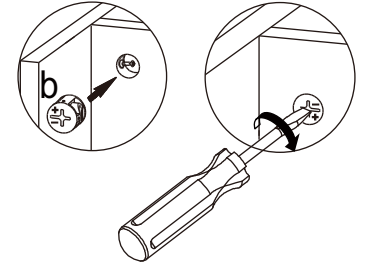
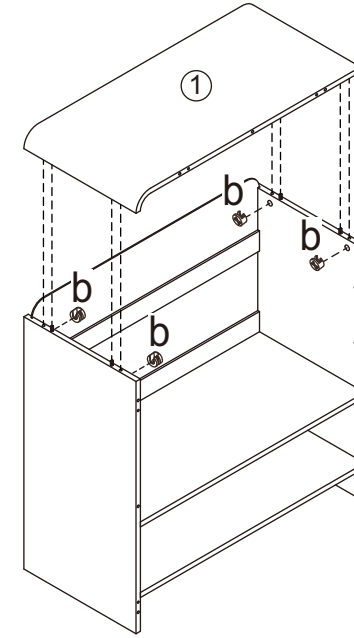
STEP 9

 X4  X1  X1



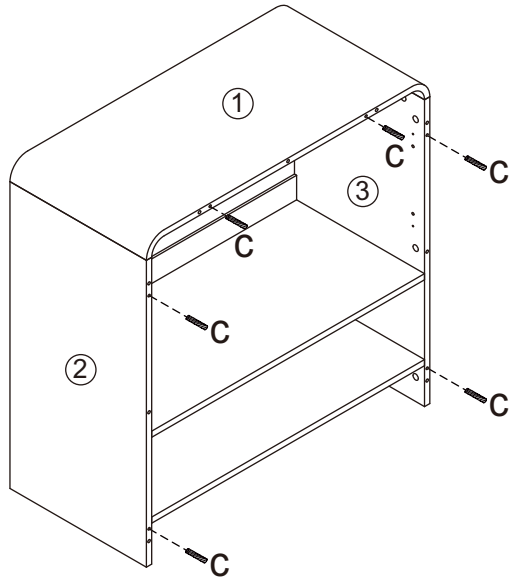
STEP 10

 X4

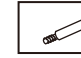


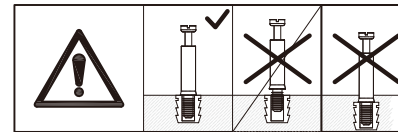
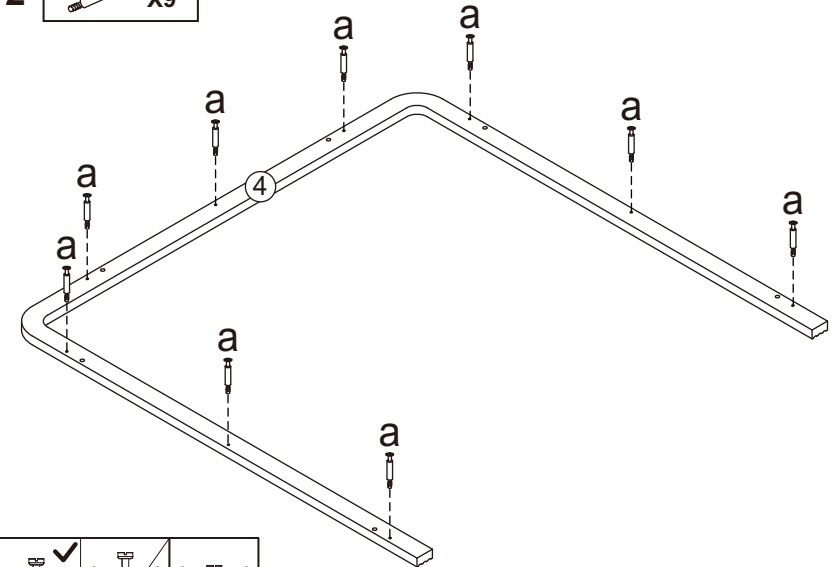
STEP 11

 X6



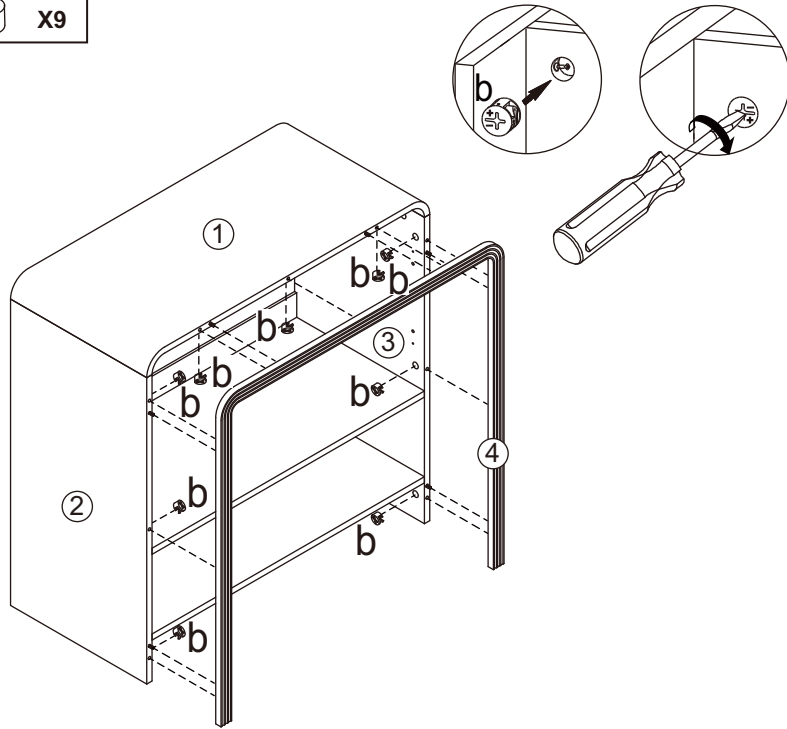
STEP 12

 X9



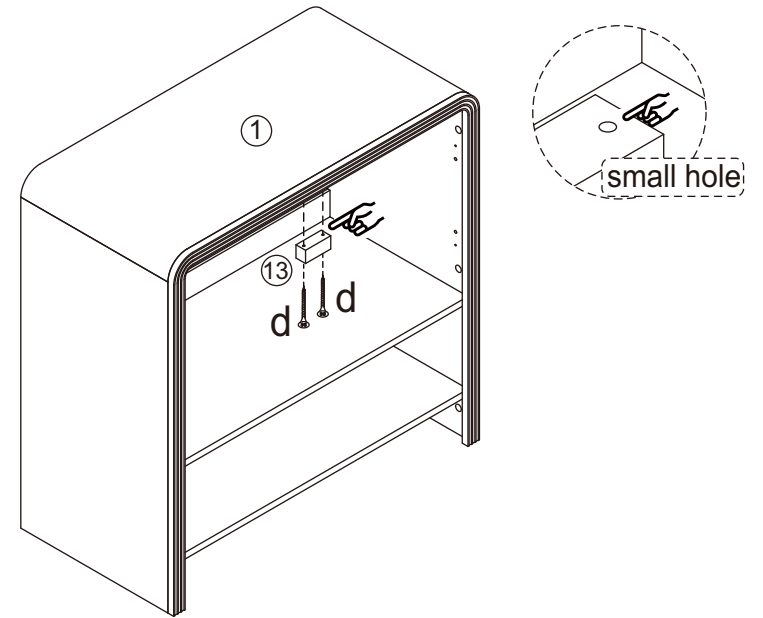
STEP 13

 X9




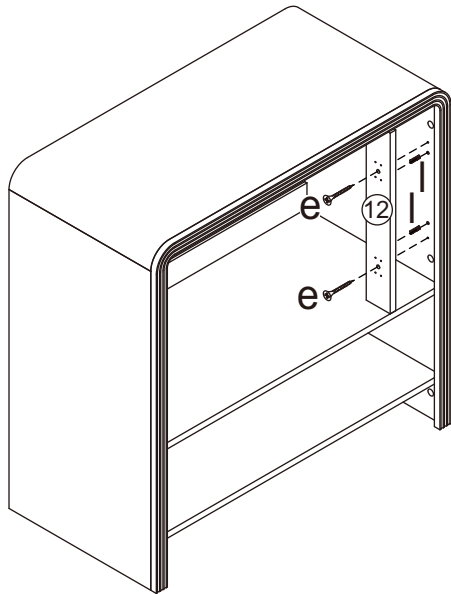
STEP 14

 X2





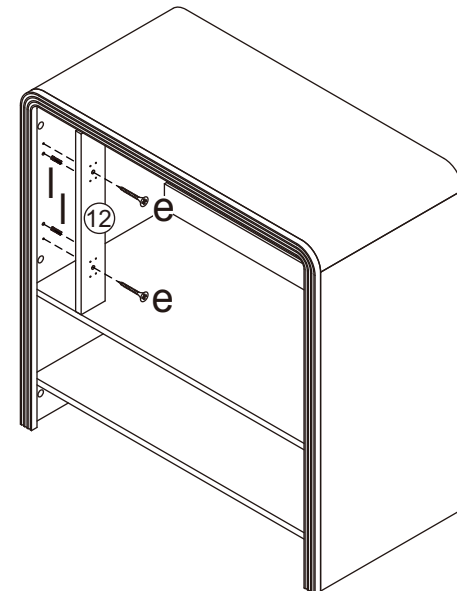
STEP 15

 X2  X2

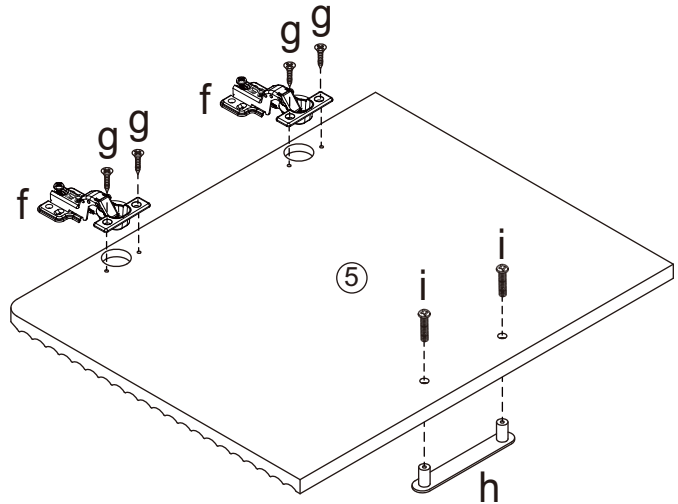


STEP 16

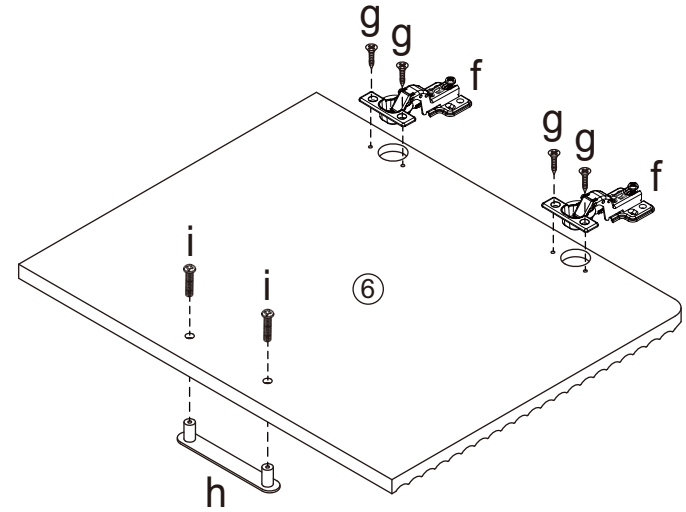
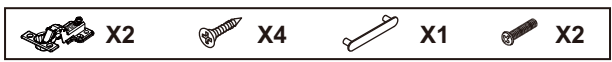
 X2  X2



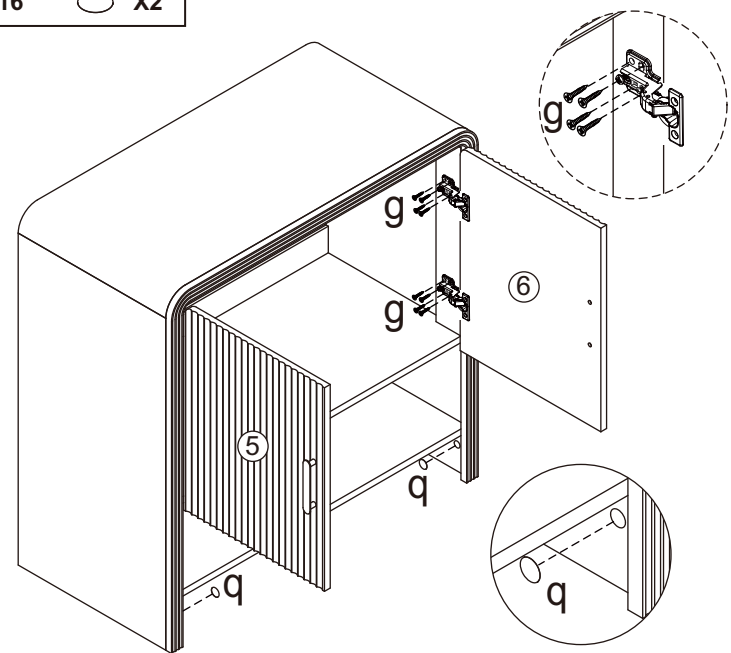
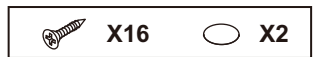
STEP 17



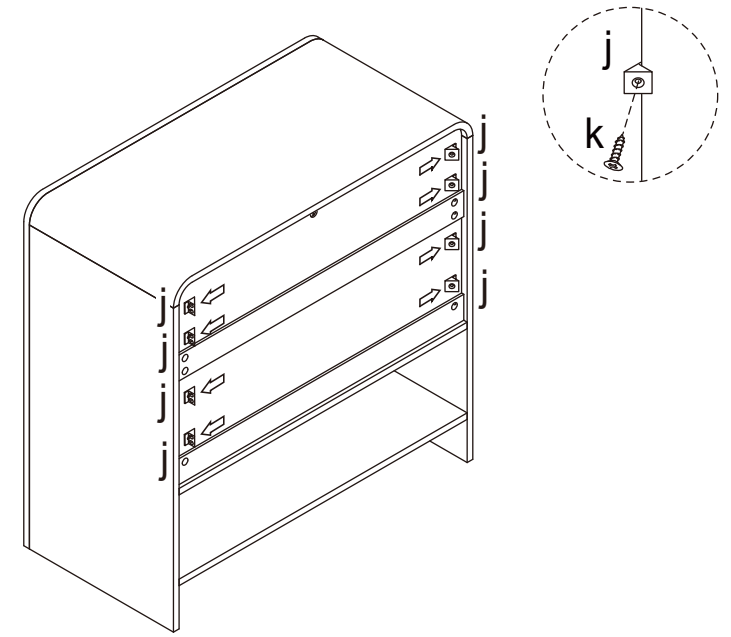
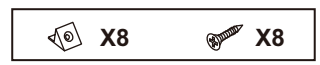
STEP 18



STEP 19



STEP 20



STEP 21

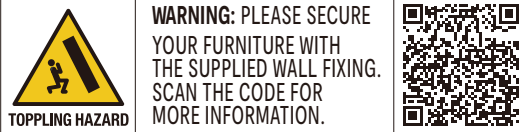


Warning:

- It is strongly recommended that this product is permanently fixed to the wall.
- Please seek professional advice if you are in doubt of what fixing device to use.
- Regularly check that anchors are securely maintained.
- Use safety drawer locks to prevent children climbing.
- Stability of tall items may be affected by thick pile carpet or uneven floors.
- Do not place unanchored televisions on furniture.

Caution: for your safety when attaching the anchor fixings, please note the following:

- Check any electrical wires or plumbing inside the wall before drilling any holes (if you are unsure please seek professional advice from a qualified tradesperson)

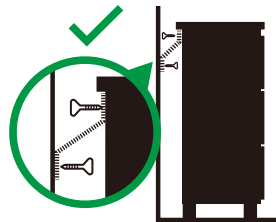


TOPPLING HAZARD

WARNING: PLEASE SECURE YOUR FURNITURE WITH THE SUPPLIED WALL FIXING. SCAN THE CODE FOR MORE INFORMATION.



WARNING



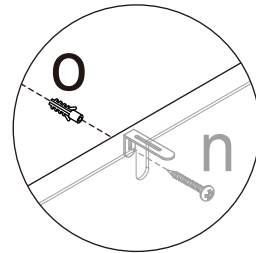
Children have died from furniture tipover.

- ALWAYS secure it with an anchor device.
- NEVER allow children to stand, climb or hang on drawers, doors, or shelves.
- NEVER open more than one drawer at a time.
- Place heavy items down low.
- Furniture type is at risk of toppling over.

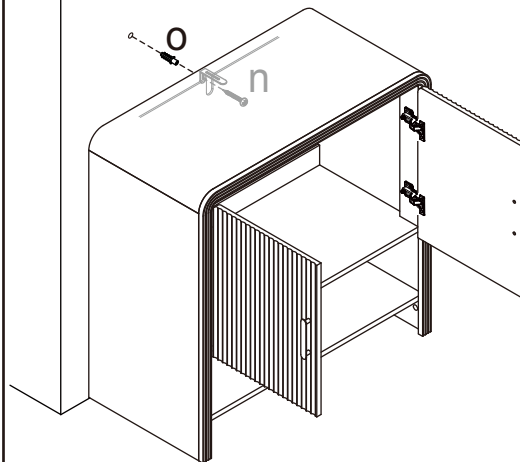
NEVER put a TV on this furniture



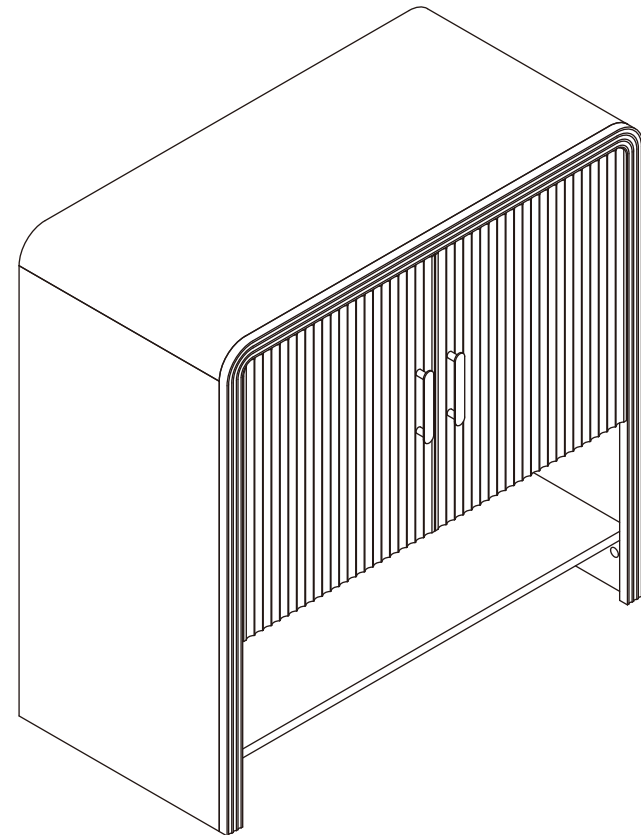
This is a permanent label. Do not remove!



Wall



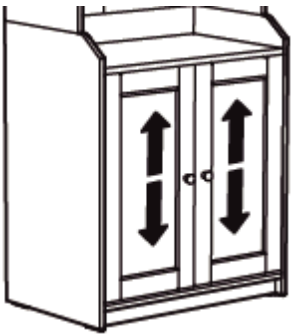
STEP 22



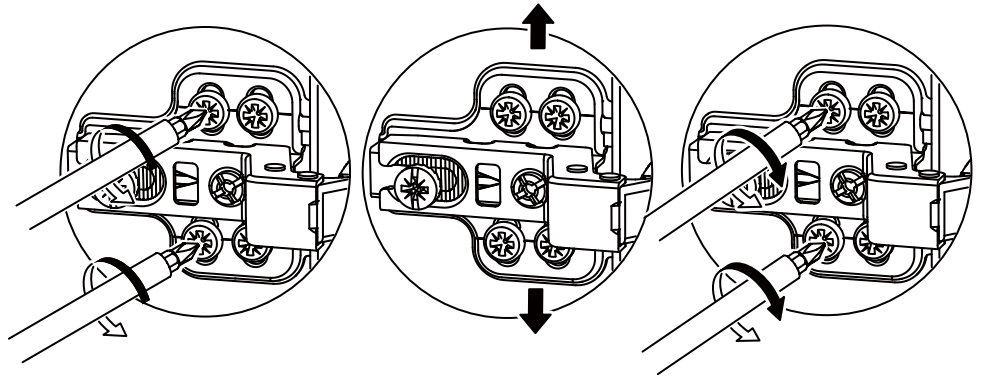
Hinger Adjustment Tips

Noted: The door might be scraping, bumping, misaligned when first assembly.

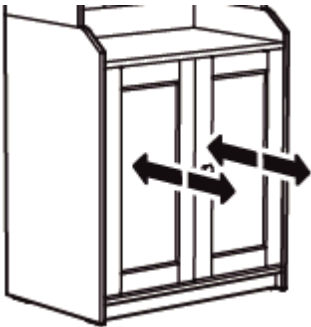
Please follow the below tips:



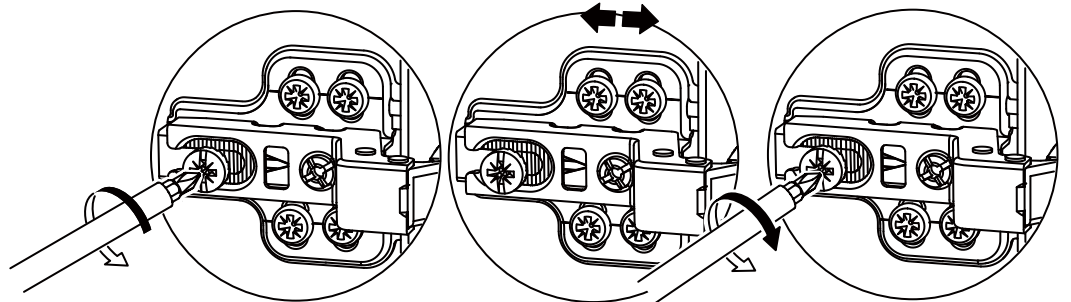
Adjust the door up and down



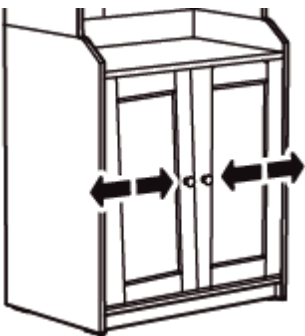
1. Loosen the two mounting screws on both hinges, but only slightly. ...
2. Gently close the cabinet door.
3. With the door still closed, adjust the cabinet door to the desired height.
4. Open the cabinet door again, being careful not to jostle the door out of position.
5. Retighten the screws by hand.



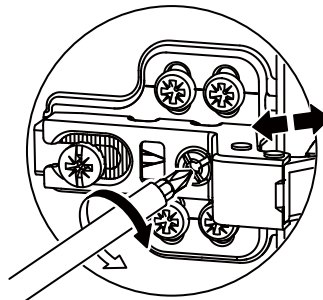
Move the door in and out



If the door doesn't meet the box at the top, adjust the top hinge toward the cabinet and/or adjust the bottom hinge away from the cabinet. If the door is gapped at the bottom, do the reverse.



Move the door right or left



You can adjust one or both hinges on each door, depending on how much correction it needs. If the door seems to be tilting down to the right, turn the side-to-side screw on the top hinge so the hinge pulls closer to the side of the cabinet box, moving the top of the door to the left.