

anko

Breakfast Maker FS-2401 User Manual



**PLEASE READ AND SAVE THESE
INSTRUCTIONS FOR FUTURE REFERENCE**

IMPORTANT SAFEGUARDS


When using any electrical product, always follow these basic safety precautions:



READ ALL INSTRUCTIONS BEFORE USE.

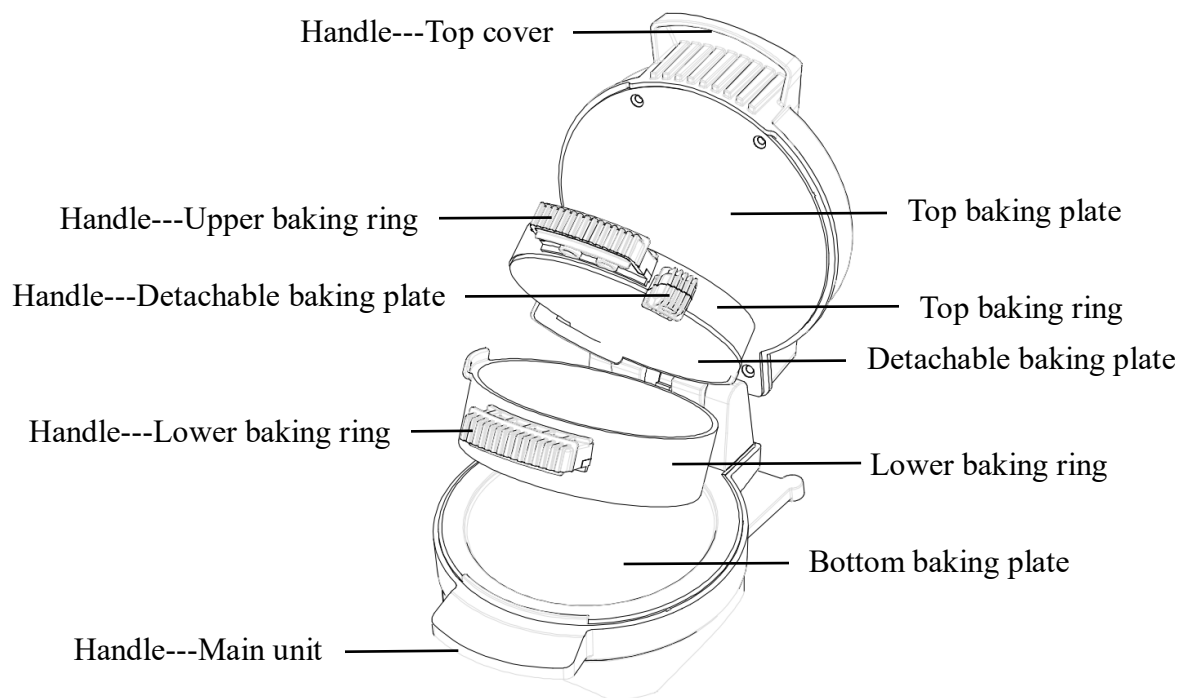
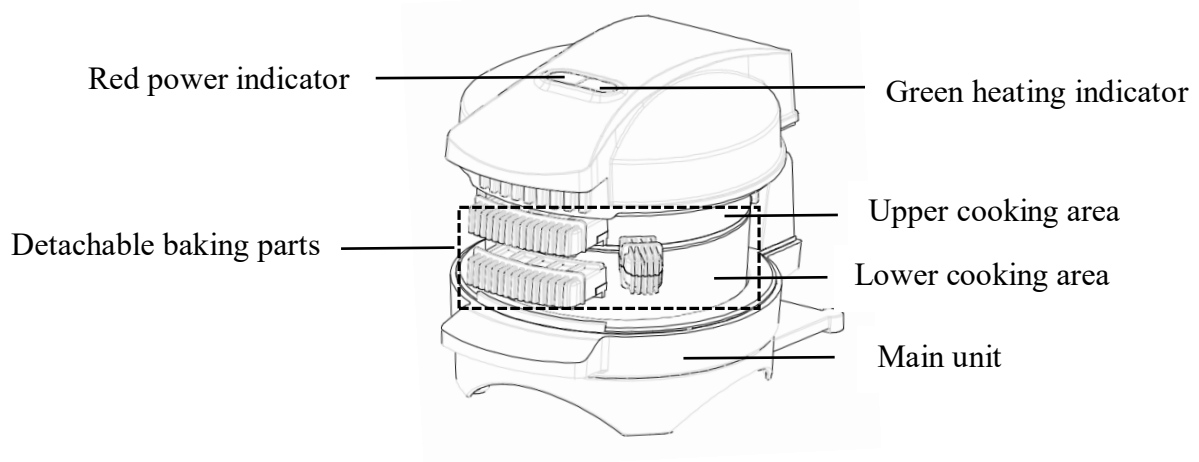
Read and understand all instructions before using this product and follow all warnings and cautions in the manual.

- To protect against risk of electrical hazards, do not immerse the main unit of the appliance, power cord or plug in water or any other liquid.
- For electrical safety, if the supply cord is damaged, it must be replaced by a qualified electrician only or the product must be disposed of.
- Place the cord in such a way that pulling or tripping over it is not possible.
- Always place and operate the appliance on a flat, solid, clean, dry and heat-resistant surface.
- The power socket must be readily accessible so that the appliance can be unplugged in an emergency.
- This appliance is intended to be used indoors in household and similar applications such as: staff kitchen areas in shops, offices and other working environments, farmhouses, by clients in hotels, motels and other residential type environments, bed and breakfast type environments.
- The appliance is intended for household use only. Do not use outdoors or for commercial purpose. Any other use will void the warranty.
- This appliance is not intended for use by persons (including children) with reduced physical, sensory or mental capabilities, or lack of experience and knowledge, unless they have been given supervision or instructions concerning use of the appliance by a person responsible for their safety.
- Children should be supervised to ensure that they do not play with the appliance.
- Always unplug from the mains supply when not in use and allow the appliance to cool down before cleaning.
- Do not operate the appliance if damaged.
- Do not touch hot surfaces. Only use the handle.
- Do not place on or near a hot gas or electric burner, or in a heated oven.
- Do not use an extension cord with this appliance.
- Do not dismantle and repair the appliance by yourself. **DANGER OF AN ELECTRIC SHOCK AND/OR FIRE!**
- Do not allow this appliance to touch curtains, wall coverings, clothing, dish towels or other flammable materials during use.
- **IMPORTANT! Do not leave the appliance unattended when in use or when connected to mains power.**
- Do not operate your appliance inside cabinet or under a wall cabinet. When storing in a cabinet, always unplug the unit from mains power.
- The temperature of accessible surfaces may be high when the appliance is operating.
- This appliance is not intended to be operated by means of an external timer or separate remote-control system.

- Use only heat-proof synthetic or wooden utensils if necessary, this is to prevent damage to the non-stick coating on the heating plates. Make sure that the utensils are not pointed or have sharp edges.
-  **Caution, hot surface. Care must be taken. The surfaces will get hot during and immediately after use.**
- For cleaning cooking surface, please refer to section “Cleaning and Maintenance”.

**SAVE THESE INSTRUCTIONS
FOR HOUSEHOLD USE ONLY**

KNOW YOUR BREAKFAST MAKER



BEFORE FIRST USE

IMPORTANT! Always place and operate the appliance on a flat, solid, clean, dry and heat-resistant surface.

IMPORTANT! Place the appliance on a heat-resistant surface only. Some kitchen bench top surfaces are sensitive to heat and may be damaged due to heat. Placing the appliance on a heat-resistant mat is recommended.

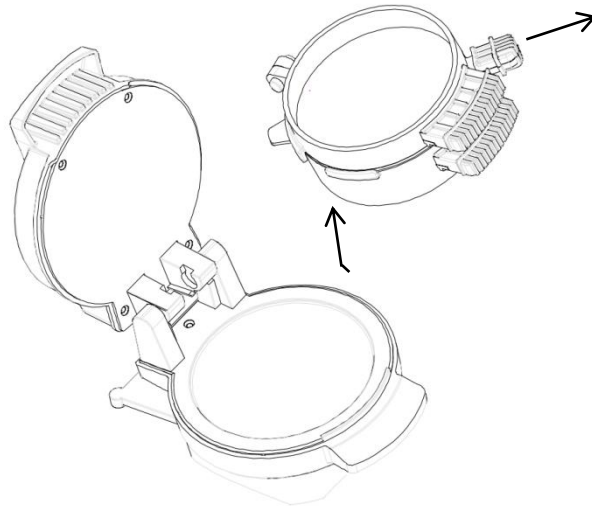
- Unpack the appliance and check if all parts are there and undamaged.
- Clean the inside/outside of the main body with a damp cloth or sponge. Wipe dry with a soft dry cloth.

WARNING! Do not immerse the main unit, power plug and cord in water or any other liquid to clean.

- Rinse the detachable baking parts with water and dry thoroughly.

To detach the backing parts, take firmly hold of the upper and lower ring handle together, lift a little bit and slightly forward to the joint, then lift up vertically.

To detach the baking plate, just grasp the baking plate handle and pull out horizontally.



- Place the appliance on a flat, heat-resistant stable surface and ensure a minimum of 10cm free space around the appliance. Do not operate your appliance inside a cabinet or directly under a wall cabinet.
- Assemble all the parts after cleaning and dry thoroughly.
- Plug the appliance into an electrical power outlet.

Note: Make sure the voltage indicated on the appliance matches the local voltage before connecting the appliance to mains power. Rated voltage: 220-240V~ 50-60Hz. The appliance is certified for electrical safety in Australia and New Zealand.

- Allow the appliance to heat up for approximately 5 minutes. Apply a thin coating of cooking oil to the baking plates/rings, carefully rub it in with a paper towel. You only need to condition the cooking plates when using your appliance for the first time.

CAUTION! The baking plates/rings will get very hot.

NOTE: On first use there may be a small amount of haze/smoke, and an odour emitted from the appliance. This is perfectly normal and will subside after few minutes of use. Suggest using the appliance in a well-ventilated area.

- Unplug the appliance and now it is ready for use.

HOW TO USE YOUR BREAKFAST MAKER

1. Before using the appliance, clean the baking surfaces with a damp cloth. Dry it with paper towel.
2. Close the appliance and plug it into a mains power outlet socket. The red power indicator and green heating indicator will light up, indicating that the appliance is connected to the mains power and begins heating.

CAUTION! The surfaces will get hot during and immediately after use.

3. It will take approximately 5 minutes to reach the recommended baking temperature. The green heating indicator goes out when the appliance is ready for use.
4. Open the top cover and brush the baking surface with a small amount of vegetable oil.
5. Fill an egg in the detachable baking plate (Fig.1). Close the appliance. The green heating indicator will light up when another baking cycle begins.

NOTE: The egg should be ready in approx.4 minutes (Fig.2) .

If you need to put any meat, the meat must be pre-cooked.

WARNING! DO NOT flip up the baking plate before the egg is solidified by heat.

6. Open the appliance, carefully lift up the upper baking area with egg until lean against the top baking plate. Put a piece of bun, cheese, and sliced ham in the lower baking area (Fig.3).



Fig.1



Fig.2



Fig.3

7. Carefully lift down the upper baking area. Put lettuce and a piece of bun on top of the egg (Fig.4) and close the appliance. The hamburger will get ready in 2 minutes.

WARNING! DO NOT put too many ingredients in the appliance.

Tips: You can extend or shorten the cooking time according to the ingredients and personal taste.

8. When the hamburger is cooked and ready, open the appliance, grasp the handle of the detachable baking plate and pull out horizontally (Fig.5).
9. Firmly grasp the handle of the upper and lower baking ring, lift up until lean against the top baking plate (Fig.6). To remove the hamburger, always use a plastic or wooden spatula. Never use a sharp or metal object, as this will damage the non-stick coating of the baking surface.



Fig.4



Fig.5



Fig.6

10. After using the appliance, disconnect the power plug from the mains power outlet socket.

WARNING! Always unplug the appliance from the power outlet socket when not in use.

CLEANING AND MAINTENANCE

This appliance should be cleaned after each use.

Always unplug the appliance from the mains power supply before cleaning or during maintenance. Ensure that your breakfast maker has completely cooled down before cleaning, as it gets very hot during use.

CAUTION: Do not immerse the main unit in water or in a dishwasher!

- Clean inside and outside of the main unit with a damp cloth or soft brush. Do not use anything abrasive that can scratch or damage the appliance.
- Rinse the detachable baking parts with water or put in dishwasher.

STORAGE

1. Unplug the appliance from mains power.
2. Allow the appliance to cool down completely before storing.
3. Clean and dry the appliance.

WARNING! Do not wrap the power cord around the appliance.

4. Store the appliance in a clean dry location and out of the reach of children.

TECHNICAL SPECIFICATIONS

Voltage: 220-240V~ 50-60Hz

Power: 500-600W

RECIPE

1, Ham, cheese and egg burger

Ingredients

1 burger bun, divided into 2 halves
1 chip of cheese
1 chip of bacon or ham
1 egg

Directions

Preheat the breakfast maker for 5 minutes.

Use a pastry brush to lightly grease coat the detachable baking plate with oil or butter.

Put the egg on the top cooking area, close the appliance and cook 4 minutes.

Put a half of bun, cheese and bacon or ham in the lower cooking area, put a half of bun on top of the egg, close the appliance and cook 2 minutes.

2, Tomato, cheese and beef burger

Ingredients

1 burger bun, divided into 2 halves
1 chip of cheese
1 beef patty, pre-cooked
2 tomato slice

Directions

Preheat the breakfast maker for 5 minutes.

Use a pastry brush to lightly grease coat the detachable baking plate with oil or butter.

Put the beef patty on the top cooking area, close the appliance and cook 4 minutes.

Put a half of bun, cheese and tomato in the lower cooking area, put a half of bun on top of the beef patty, close the appliance and cook 2 minutes.

12 Month Warranty

Thank you for your purchase.

Your new product is warranted to be free from defects in materials and workmanship for the period stated above, from the date of purchase, provided that the product is used in accordance with accompanying recommendations or instructions where provided. This warranty is in addition to your rights under the Australian Consumer Law.

For New Zealand customers, this warranty is in addition to statutory rights observed under New Zealand legislation.

We will provide you with your choice of a refund, repair (where possible) or exchange (availability dependent) for this product if it becomes defective within the warranty period. The business will bear the reasonable expense of claiming the warranty.

This warranty will no longer apply where the defect is a result of alteration, accident, misuse, abuse or neglect.

Please retain your receipt as proof of purchase and contact our Customer Service Centre as listed below, for the entity you purchased this product from, for any difficulties with your product. Warranty claims and claims for expense incurred in returning this product can be addressed to the respective Customer Service Centre.

Our goods come with guarantees that cannot be excluded under the Australian Consumer Law. You are entitled to a replacement or refund for a major failure and compensation for any other reasonably foreseeable loss or damage. You are also entitled to have the goods repaired or replaced if the goods fail to be of acceptable quality and the failure does not amount to a major failure.

Contact for Kmart purchases	Contact for Target purchases
Kmart Australia Ltd. C/- Customer Service Centre 690 Springvale Road, Mulgrave Vic 3170 Customer Service: 1800 124 125 (Australia) or 0800 945 995 (New Zealand) or via Customer Help at kmart.com.au	Target Australia Pty Ltd C/- Customer Service Centre 2 Kendall Street, Williams Landing, Vic, 3027 Customer Service: 1300 753 567 or via Customer Help at target.com.au/help/contact-us