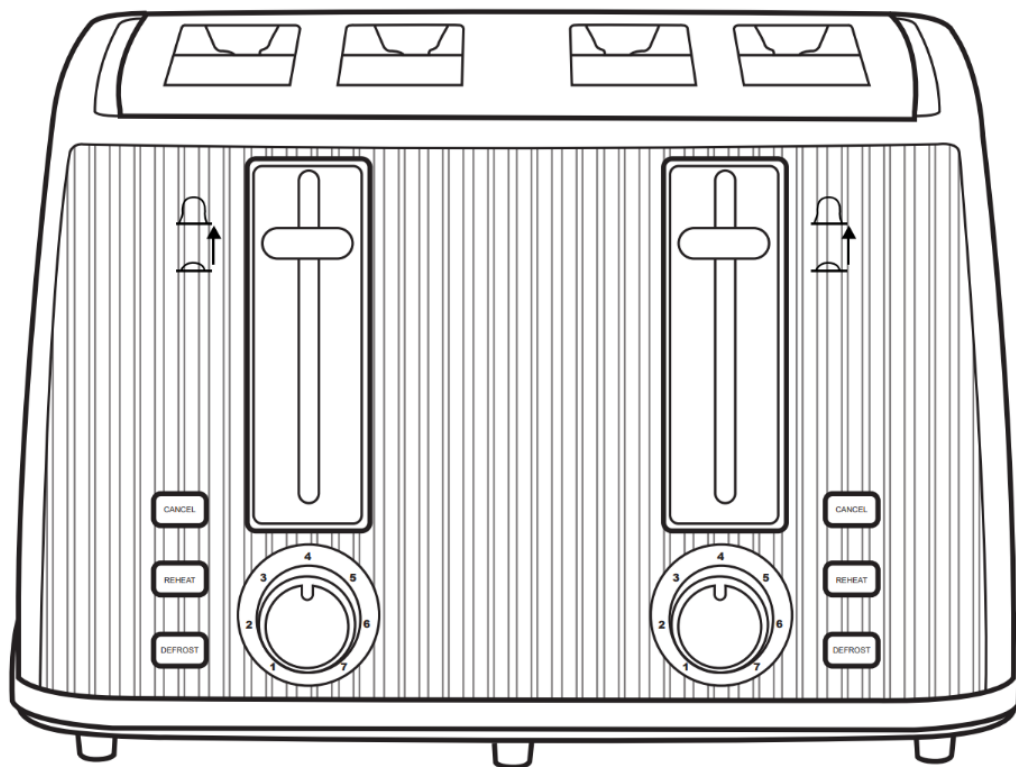


anko

4 SLICE TOASTER

Instruction Manual



Model No.: ATA461

To ensure the proper operation of this device, please read this instruction manual carefully before using the device and keep them for further reference.

Important Safeguards



Read all instructions thoroughly before first use, even if you are familiar with this type of product. The safety precautions mentioned in this manual reduce the risk of burns, fire, electric shock, and injury when correctly followed. Keep this manual in a safe place for future reference, along with the purchase receipt and packaging. If applicable, pass these instructions onto the next owner of this appliance.

Explanation of Symbols



This signal symbol/word designates a hazard with moderate risk, which may result in death or severe injury if not avoided.



This signal symbol/word designates a hazard with low risk, which may result in minor or moderate injury if not avoided.



This signal word warns of possible damage to property.



This symbol provides you with useful additional information about assembly or operation.



CAUTION: HOT SURFACE! The surfaces are likely to get hot during use.

Read all instructions thoroughly before first use, even if you are familiar with this type of product. The safety precautions mentioned in this manual reduce the risk of burns, fire, electric shock and injury when correctly followed. Keep this manual in a safe place for future reference, along with the purchase receipt and packaging. If applicable, pass these instructions on to the next owner of the appliance.

When using electrical appliances, to reduce the risk of personal injury or damage to property, basic safety precautions must be observed, including the following:

- **Limited to household use only:** This appliance is intended for and limited to household use only. Do not use it outdoors.
- **Intended purpose:** Do not use this appliance for anything other than its intended purpose, and only use it as described in this manual.
- **Accessories:** Do not use any accessories with this appliance that are not supplied or specifically recommended. If used, they may cause injury and void the warranty.
- Do not spray water directly onto equipment containing electrical components.
- No naked flame sources, such as candles, should be placed near the product.
- The voltage indicated on the rating plate must correspond to the supply voltage.



Risk of injury!

If you do not use the product properly, there is an increased risk of injury.

- Do not operate in areas where petrol, paint or other flammable liquids are used or stored.
- Always allow at least 20cm of space around the exterior of the appliance when in use. **Bread may burn!** Never use near curtains, under cupboards or near flammable materials.

To reduce the risk of burns, fire, electric shock or injury to persons:

- Do not use this appliance near an open window.
- Never leave the appliance unattended when in operation.
- Do not use this appliance with a damaged cord or plug, after a malfunction or if it has been dropped or damaged in any manner.
- **Usage restrictions:** This appliance is not intended for use by persons (including children) with reduced physical sensory or mental capabilities, or lack of experience and knowledge, unless they have been given supervision or instructions concerning the use of the appliance by a person responsible for their safety.
- **Children:** Supervise children to ensure that they do not play with the product. Close supervision is necessary when any appliance is used by or near children. Keep the appliance and its cord out of reach of children less than 8 years old.
- Do not allow children to play with the appliance or the packing film.
- **Danger of suffocation!**
- Never let children use electrical equipment unsupervised.

- Do not place the appliance on or near a flammable or hot object.
- Always disconnect the appliance from the wall socket and allow to cool down before cleaning.
- Do not store the appliance whilst it is still hot.
- Do not use this appliance outdoors or on a damp floor.
- Do not cover the appliance when it is in operation or storage.
- To disconnect, grip the plug and pull it from the wall outlet. Never pull by the cord.
- **Bread may burn!** Therefore, the toaster must not be used near or below combustible materials such as curtains. The toaster should not be left unattended when in use.
- Make sure that the air around the toaster can circulate freely.
- Do not place anything on top of the toaster.
- Do not try to remove food from the toaster when it is still in operation.
- If the supply cord is damaged, it must be replaced by the manufacturer, its service agent, or similarly qualified persons in order to avoid a hazard.
- Oversized foods, metal foil packages, metal implements, or utensils must not be inserted in the toaster as they may involve a risk of fire or electric shock.



Usage Conditions and Restrictions

- **Domestic use only:** This appliance is intended for private domestic use only. It is not suitable for commercial or industrial use.
- **Intended purpose:** Do not use the appliance for anything other than its intended purpose, and only use it as described in this manual. Any other use is not recommended and may cause fire, electric shock or injury.
- **Keep clear:** Never place anything on top of the appliance while it is still in use.
- **Repair:** The appliance has no user-serviceable parts contained inside. Do not attempt to repair, disassemble, or modify it yourself.
- **Liability:** Misuse or improper installation may result in the risk of fire, electric shock and/or injury. We assume no liability for any eventual damage or injury caused by misuse of the product or noncompliance with the instructions.



CAUTION: HOT SURFACE! The surfaces are likely to get hot during use.

This appliance is intended to be used in households and similar applications such as:

- Staff Kitchen areas in shops, offices and other working environments.
 - Farmhouses.
 - By clients in hotels, motels and other residential type environments.
 - Bed and breakfast type environments.
- To reduce the risk of electric shock, do not immerse or expose the product, flexible cord or plug to rain, moisture or any other liquid.
 - Do not use the product near baths, basin or other vessels containing water or other liquids, or when standing in or on damp or wet surfaces.
 - In the event where the appliance is dropped into water, turn off the power at the power outlet and remove the plug immediately.
 - For Cleaning instructions, please refer to "Cleaning & Maintenance Section".

DO NOT REACH INTO THE WATER OR RETRIEVE IT UNTIL IT HAS BEEN DISCONNECTED FROM THE POWER OUTLET.

- It is important to note that the appliance will have to be inspected by a qualified technician before using it again.
- This appliance heats up while in use. To avoid burns, do not let bare skin touch hot surfaces.
- Switch off the appliance, remove the plug from the wall socket and allow to cool completely before moving.
- Never use this appliance below wall cupboards or shelving.
- Do not touch the body of the toaster and beware of the heat and hot surfaces. Always use the lever and control dials.

NOTE: The first time the appliance is used a slight odour may develop. This is entirely harmless and will soon dissipate. Ensure there is adequate ventilation when using the appliance.

- Be extra cautious when toasting bread products which contain fats and sugars as they may burn. If the bread smokes, press the CANCEL button and use a lower setting.
- Never use the toaster without bread.
- This appliance is not intended to be operated by means of an external timer or separate remote-control system.
- Never use wet hands to touch the mains plug.
- Never leave the appliance unsupervised. To protect children from the dangers posed by an electrical appliance, make sure that the cable is hanging low and that children do not have access to the appliance.
- Do not immerse it in water.
- Do not operate with the cord coiled up as a build-up of heat may occur.
- Do not remove the plug from the wall socket until the appliance has been switched off.
- Always unplug the appliance when not in use.
- Do not allow the power cord to come in contact with heated surfaces during operation.

- Do not allow the power cord to hang over the edge of a table or bench top or touch any hot or sharp surfaces.

NOTICE!

Modifications of the appliance by the user/s may cause damage to property or persons and will be deemed as not in accordance with the instruction manual and no liability for damages will be accepted by the manufacturer.

NOTICE!

Non-compliance: We accept no liability for any eventual damages caused by improper use or inappropriate handling, or by any other non-compliance with the instructions in this manual.



WARNING!

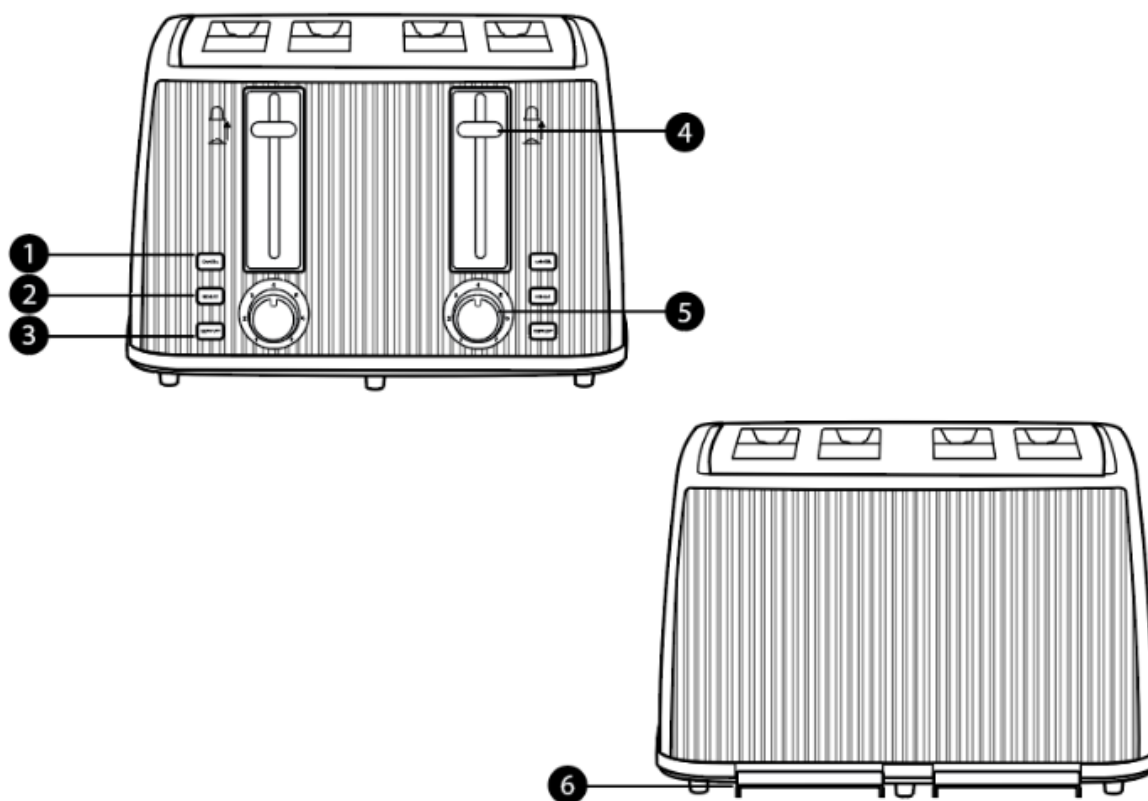
- To reduce the risk of electric shock, do not immerse or expose the product, flexible cord or plug to rain, moisture, or any liquid.
- Do not use the product near baths, basins or other vessels containing water or other liquids, or when standing in or on damp or wet surfaces.
- In the event that the appliance is dropped into water, turn off the power at the power outlet and remove the plug immediately.

DO NOT REACH INTO THE WATER TO RETRIEVE IT UNTIL IT HAS BEEN DISCONNECTED FROM THE POWER OUTLET.

- It is important to note that the appliance will have to be inspected by a qualified technician before using it again.

SAVE THESE INSTRUCTIONS

Parts Guide



1. Cancel button with indicator light
2. Reheat button with indicator light
3. Defrost button with indicator light
4. Leve with high lift function
5. Variable browning control
6. Crumb tray

Instructions

GETTING STARTED

NOTICE!

Risk of damage!

If you are not cautious when opening the packaging with a sharp knife or other pointed object, you may quickly damage the product.

Carefully unpack the toaster and remove any packaging. Check to make sure that all parts are included (see "Parts Guide") and check whether the product or individual parts are damaged. If this is the case, do not use the product. Ensure to read all instructions carefully and keep them for future use.

- Ensure you clean all parts with a soft, damp cloth.
 - Thoroughly wipe all parts dry.
1. Stand the toaster on a flat, heat-resistant surface.
 2. Plug the power cord into the mains socket and turn on at the power point.

NOTE

THE FIRST TIME THE TOASTER IS USED, A SLIGHT ODOUR MAY DEVELOP. THIS IS ENTIRELY HARMLESS AND WILL SOON DISSIPATE. ENSURE THERE IS ADEQUATE VENTILATION WHEN USING THE APPLIANCE.

Toaster Functions

- **REHEAT (3):** Use this function to warm up already toasted or cooled bread. Press down the lever, then press the REHEAT button (LED indicator light around the button will light up).
- **DEFROST (4):** This function is used to toast frozen sliced bread. Adjust the toasting level setting to your preference, press down the lever, then press the DEFROST button. (LED indicator light around the button will light up).
- **CANCEL (2):** If you need to stop toasting during a cycle, press the CANCEL button and the bread will pop up immediately.

Toaster Settings

- Using the variable browning dial (5), adjust the toasting settings to your preferred setting (1: Light / 4: Medium / 7: Dark) and press down the lever to start. To re-adjust the settings during toasting, press the CANCEL button.

How to use your toaster

All types of bread can be used for toasting, but the slices should not be too thick or too thin. Fresh bread and dark coarse bread require longer toasting than drier bread; the toaster must be set with this in mind. It may take a few tries to find your preferred setting.

- Insert the slices of bread into the bread slots of your toaster.
- Adjust the toasting settings to your preferred setting: (1: Light / 4: Medium / 7: Dark).
- Press down the lever (6) completely. The lever will then lock into position.
- After completion of each toasting cycle, the bread will pop up automatically and the toaster will switch itself off.
- Carefully remove the bread from the toaster.
BEWARE OF HOT SURFACES WHEN REMOVING BREAD!
- Allow the toaster to cool down between each use.

NOTE: The toaster is equipped with a high lift function – if you can't reach your toast from the toaster, lift the lever towards the top of the toaster.

NOTE: DO NOT insert anything into the toaster to help lift the bread out.

NOTE: Never use the toaster without the crumb tray in position.

Cleaning and Maintenance

WARNING

Risk of injury!

Improper handling of the product may increase the risk of injury.

- To avoid risk of electric shock, always unplug the product before cleaning.
- To avoid the risk of electric shock, do not allow liquids to get on to the mains connections.
- The product will get hot during operation. Let the product cool down completely before each cleaning to avoid burns.

CAUTION:

Risk of short circuit!

Water or other liquids that have penetrated the housing may cause a short circuit.

- Make sure that no water or other liquids penetrate the housing.
- Never immerse the product in water or other liquids.

CAUTION:

Risk of damage!

Improper handling of the product may result in damage.

- Do not use any aggressive cleaners, brushes with metal or nylon bristles or sharp metallic cleaning utensils such as knives, hard scrapers, and the like. They could damage the surfaces.
- Do not put the product in the dishwasher, as this will destroy the product.

General cleaning

Clean the appliance after every use and before storing.

1. Unplug the appliance from the power socket and allow the appliance to cool completely.
2. Remove the crumb tray at the bottom of the toaster and empty it. If the toaster is used frequently, accumulated breadcrumbs should be removed at least once a week. Make sure that the crumb tray is inserted before using the toaster again.
3. Wipe the outside of the unit housing with a damp cloth. Do not immerse the unit housing in water or any other liquid and do not rinse under running water.
4. When storing, the cord may be wound around the cord storage on the base of the toaster.

To clean the interior, turn the toaster upside down over the sink and shake crumbs free.

NOTE: DO NOT place this appliance in the dishwasher.

Risk of fire!

NOTE: The crumb tray should be cleaned regularly. Do not allow breadcrumbs to accumulate in the bottom of the toaster.

STORAGE

All parts must be completely dry before being stored.

- Always store the product in a dry and clean area.
- Protect the product from direct sunlight.
- Store the product so that it is not accessible to children.

TECHNICAL SPECIFICATIONS

Model Number	ATA461
Power Supply	220-240V~ 50Hz
Rated Power	1350-1600W

12 MONTH WARRANTY

Thank you for your purchase.

Your new product is warranted to be free from defects in materials and workmanship for the period stated above, from the date of purchase, provided that the product is used in accordance with accompanying recommendations or instructions where provided. This warranty is in addition to your rights under the Australian Consumer Law.

For New Zealand customers, this warranty is in addition to statutory rights observed under New Zealand legislation.

We will provide you with your choice of a refund, repair (where possible) or exchange (availability dependent) for this product if it becomes defective within the warranty period. The business will bear the reasonable expense of claiming the warranty.

The warranty will no longer apply where the defect is a result of alteration, accident, misuse, abuse, or neglect.

Please retain your receipt as proof of purchase and contact our Customer Service Centre as listed below, for the entity you purchased this product from, for any difficulties with your product. Warranty claims and claims for expenses incurred in returning this product can be addressed with the respective Customer Service Centre.

Our goods come with guarantees that cannot be excluded under the Australian Consumer Law. You are entitled to a replacement or refund for a major failure and compensation for any other reasonably foreseeable loss or damage. You are also entitled to have the goods repaired or replaced if the goods fail to be of acceptable quality and the failure does not amount to a major failure.

Contact for Kmart purchases	Contact for Target purchases
Kmart Australia Ltd. C/-Customer Service Centre 690 Springvale Road, Mulgrave VIC 3170 Customer Service: 1800 124 125 (Australia) or 0800 945 995 (New Zealand) or via Customer Help at kmart.com.au	Target Australia Pty Ltd C/- Customer Service Centre 2 Kendall Street, Williams Landing, VIC, 3027 Customer Service: 1300 753 567 or via Customer Help at target.com.au/help/contact-us