

# anko

## MINI VACUUM CLEANER

User Manual



**Model no.: AS-228**

PLEASE READ AND SAVE THESE  
INSTRUCTIONS FOR FUTURE REFERENCE



# IMPORTANT SAFEGUARDS

## FOR HOUSEHOLD USE ONLY.

This appliance should only be used for domestic cleaning, and must only be used indoors, as described in this user guide.

**WARNING:** to reduce the risk of fire, electric shock, or injury:

- This appliance is not intended for use by persons (including children) with reduced physical, sensory, or mental capabilities, or lack of experience and knowledge, unless they have been given supervision or instructions concerning use of the appliance by a person responsible for their safety.
- Children should be supervised to ensure that they do not play with the appliance and/or USB cable.
- Indoor Use Only.
- **DO NOT** use it outdoors or on wet surfaces.
- **DO NOT** handle Charger or Vacuum cleaner with wet hands.
- **DO NOT** vacuum water, wet objects, liquids, ashes, hot coals, cigarette butts, matches or any hot, smoking or burning objects, etc.
- **DO NOT** pick up flammable or combustible materials (i.e., lighter fluid, petrol, kerosene, etc.) or use in the presence of explosive liquids or vapour.
- **DO NOT** pick up toxic material (i.e., chlorine bleach, ammonia, drain cleaner, etc.)
- **DO NOT** vacuum Toner (for laser printers, copy machines etc.) as there is a risk of fire and explosion.
- **DO NOT** store or use the appliance near high-temperature areas.
- **DO NOT** use the vacuum without the filter fitted.
- **DO NOT** use the vacuum cleaner if it is blocked. Turn off and clear all blockages before continuing.
- **DO NOT** use the vacuum cleaner to pick up large objects, hard or sharp objects such as glass, nails, screws, coins, etc. that are likely to cause damage.
- **DO NOT** put any objects into openings
- **DO NOT** use with any openings blocked and do not restrict airflow.
- **DO NOT** use without the filter in place
- **DO** keep hair, loose clothing, fingers, feet, and body parts away from openings or moving parts.
- For electrical safety, any repairs to the product must be performed by a qualified electrical person only, or the product must be disposed of.
- Do not use the vacuum cleaner with a blocked filter, clean filter before continuing. For cleaning the appliance, please refer to User Cleaning and Maintenance section.

**VERY IMPORTANT:**

1. Ensure that the charger (not supplied) and USB cable does not get wet.
2. Do not use your charger or the USB cable with wet hands.
3. Do not immerse the USB cable in water or other liquids or use near sinks, baths or showers.
4. **IMPORTANT! Only Charge the Appliance with the USB cable that was supplied with the Appliance.**
5. Only Charge the Appliance from an Extra Low Voltage Battery Charger (not supplied) with an output rating the same as indicated on the Appliance's rating label.
6. Position the USB cable properly so that it will not be walked on or pinched by items placed on or against them.
7. Use the Appliance, accessories and USB cable only for its intended use. The Appliance, accessories and USB cable are intended for household use only and not for commercial or industrial use.
8. Inspect the USB cable, Appliance and accessories for damage before every use.
9. When charging the appliance, the power switch must be OFF.
10. It is normal for the charger to become warm to touch when charging.
11. Use only attachments provided.
12. Do not replace the batteries with non-rechargeable batteries.



**WARNING: Do not recharge non-rechargeable batteries.**



**WARNING: Before charging the product, please make sure your hands are dry.**



**WARNING**

**Only use the USB cable that was supplied with this Appliance.**

Consumers are cautioned against trying to replace the battery. Using and/or purchasing counterfeit and/or inferior quality batteries have the potential to cause fire, personal injury, and/or damage to property. These batteries are typically found on online-auction websites or from other retailers and are known to pose a potential safety risk.

Never try to charge non-rechargeable batteries as they may explode or catch on fire or cause personal injury and/or damage to property.

- Batteries may explode if disposed of in fire.
- The battery is not replaceable. Do Not open the appliance.
- Do not use or store in temperatures above 40°C.



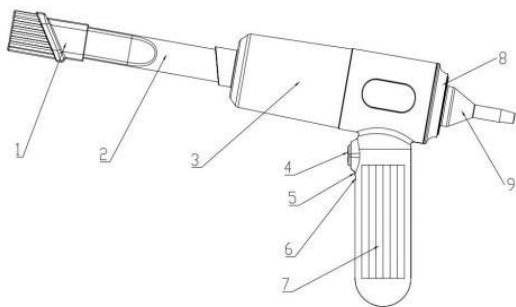
At the end of the appliance's life, it must be disposed of correctly.

Contact your local waste management authority for more information on Battery Recycling and disposal regulations in your area.

Do not dispose of electrical appliances or batteries as unsorted municipal waste, use separate collection facilities. Contact your local council for information regarding the collection systems available in your area. If electrical appliances are disposed of in landfills or dumps, hazardous substances can leak into the groundwater and get into the food chain, damaging your health and well-being. Please contact your local council or regional authority for more information on the collection, reuse, and recycling programmes.

## Read and Save These Instructions

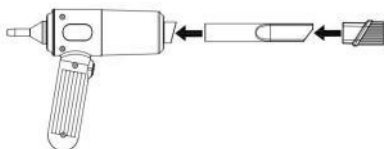
### PARTS



- |    |                  |    |                          |
|----|------------------|----|--------------------------|
| 1. | Small brush head | 5. | Power/Charging indicator |
| 2. | Crevice tool     | 6. | Charging port            |
| 3. | Dust cup         | 7. | Handle                   |
| 4. | ON/OFF button    | 8. | Air outlet               |
|    |                  | 9. | Blowing nozzle           |

## **ASSEMBLY**

- Attaching the blowing nozzle
- Attaching the nozzle/ small brush head



## **CHARGING**

**IMPORTANT:** This Appliance contains a built-in lithium-ion battery pack which must only be charged using the supplied USB cable.

Always switch off and unplug the USB cable when charging is completed or when not in use.

**NEVER LEAVE THE APPLIANCE UNATTENDED WHEN CHARGING.**

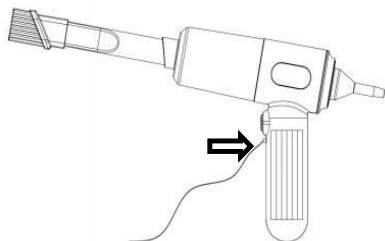
If any abnormality occurs during charging, (such as a burning smell or excessive heat or even a strange sound) immediately turn off the charger and disconnect the USB cable, and have it checked by a competent electrical person.

**NOTE:** The Appliance must be fully charged prior to first use.

Normal charging time will take approx. 3.5 hours using a 5Vd.c. 1A charger.

The appliance cannot be used during charging. The USB cable must be removed from the appliance before turning on.

- Plug the small end of the USB cable directly into the Charging Port on the appliance
- Plug the large end of the USB cable into your 5Vd.c. charger, then switch on the charger.
- During charging, the Charging indicator will have RED light flashing.
- The Charging indicator shows steady GREEN when fully charged.
- When the battery is fully charged, switch off and unplug the battery charger.




## USING THE VACUUM CLEANER



Before use, make sure that:

- the battery is fully charged.
- the dust cup and filters are cleaned, dried, and fixed in place.

1. Press ON/OFF switch  to switch ON the vacuum cleaner.
2. To stop the unit, press the ON/OFF switch
3. Charge the product after each use.

**Note:** When the charging indicator flashes RED, it means battery low and needs recharging.



- For cleaning furniture and into corners etc., use the crevice or brush tool.
- To fit the tool, line up with the end of dust cup and push in.



- For dust blowing, computer dedusting, balloon blowing, etc., use the blowing nozzle.



## **CLEANING AND MAINTENANCE**

To maximise the performance of your vacuum cleaner, you should clean the dust cup and filters regularly.

### **Clean the dust cup**

Grasp the dust cup body, whilst holding the vacuum cleaner body, twist the dust cup anticlockwise and pull down to remove it.

Empty the Dust cup.

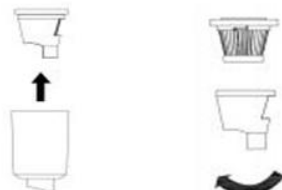
Wash the dust cup in warm mild soapy water, rinse in clean fresh cold water and let it completely dry.



### **Clean the filters**

Pull the filter holder straight up and out, rotate the dust cone, and take out the filter.

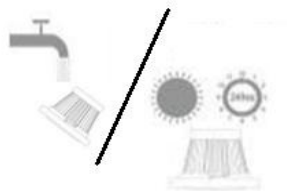
Only wash the filter if it is very dirty, otherwise, just tap the edge of the filter on a hard surface to dislodge any dust and debris.



If needed, wash the filter under rinsing water.

Leave to dry for 24 hours. Make sure filter and dust bin are dried thoroughly before fitting them back to the unit.

**IMPORTANT! Filters must be cleaned regularly for best suction performance and to prevent over-heating and damaging the vacuum cleaner.**



## **STORAGE**

If you do not intend to use the vacuum cleaner for a long time, clean as described in the part of "CLEANING AND MAINTENANCE". Then store the vacuum cleaner and all accessories in a dry, clean place, away from direct sunlight and heat.



## **SPECIFICATION**

Model no.: AS-228  
Battery type: 3.7V 2000mAh, li-ion  
Working time: Approx. 15min  
Charging time: Approx. 3.5hr

### **12 Month Warranty**

Thank you for your purchase.

Your new product is warrantied to be free from defects in materials and workmanship for the period stated above, from the date of purchase, provided that the product is used in accordance with accompanying recommendations or instructions where provided. This warranty is in addition to your rights under the Australian Consumer Law.

For New Zealand customers, this warranty is in addition to statutory rights observed under New Zealand legislation.

We will provide you with your choice of a refund, repair (where possible) or exchange (availability dependent) for this product if it becomes defective within the warranty period. The business will bear the reasonable expense of claiming the warranty.

This warranty will no longer apply where the defect is a result of alteration, accident, misuse, abuse or neglect.

Please retain your receipt as proof of purchase and contact our Customer Service Centre as listed below, for the entity you purchased this product from, for any difficulties with your product. Warranty claims and claims for expense incurred in returning this product can be addressed to the respective Customer Service Centre.

Our goods come with guarantees that cannot be excluded under the Australian Consumer Law. You are entitled to a replacement or refund for a major failure and compensation for any other reasonably foreseeable loss or damage. You are also entitled to have the goods repaired or replaced if the goods fail to be of acceptable quality and the failure does not amount to a major failure.

<b>Contact for Kmart purchases</b>	<b>Contact for Target purchases</b>
Kmart Australia Ltd. C/- Customer Service Centre 690 Springvale Road, Mulgrave Vic 3170 Customer Service: 1800 124 125 (Australia) or 0800 945 995 (New Zealand) or via Customer Help at <a href="http://kmart.com.au">kmart.com.au</a>	Target Australia Pty Ltd C/- Customer Service Centre 2 Kendall Street, Williams Landing, Vic, 3027 Customer Service: 1300 753 567 or via Customer Help at <a href="http://target.com.au/help/contact-us">target.com.au/help/contact-us</a>





