

# anko

## Epilator Instruction Manual



**Model no.: LD-7741**

the 1990s, the number of people in the UK who are employed in the public sector has increased from 10.5 million to 12.5 million, and the number of people in the public sector who are employed in health care has increased from 1.5 million to 2.5 million (Department of Health 2000).

There are a number of reasons for this increase. One of the main reasons is the increasing demand for health care services. The population of the UK is ageing, and there is a growing number of people with chronic conditions such as diabetes, heart disease, and cancer. This has led to an increase in the number of people who need to be treated in hospitals and other health care settings.

Another reason for the increase in the number of people employed in the public sector is the increasing number of people who are employed in the public sector who are employed in health care. This is due to the increasing demand for health care services, and the increasing number of people who are employed in the public sector who are employed in health care.

There are a number of reasons for this increase. One of the main reasons is the increasing demand for health care services. The population of the UK is ageing, and there is a growing number of people with chronic conditions such as diabetes, heart disease, and cancer. This has led to an increase in the number of people who need to be treated in hospitals and other health care settings.

Another reason for the increase in the number of people employed in the public sector is the increasing number of people who are employed in the public sector who are employed in health care. This is due to the increasing demand for health care services, and the increasing number of people who are employed in the public sector who are employed in health care.

There are a number of reasons for this increase. One of the main reasons is the increasing demand for health care services. The population of the UK is ageing, and there is a growing number of people with chronic conditions such as diabetes, heart disease, and cancer. This has led to an increase in the number of people who need to be treated in hospitals and other health care settings.

Another reason for the increase in the number of people employed in the public sector is the increasing number of people who are employed in the public sector who are employed in health care. This is due to the increasing demand for health care services, and the increasing number of people who are employed in the public sector who are employed in health care.

There are a number of reasons for this increase. One of the main reasons is the increasing demand for health care services. The population of the UK is ageing, and there is a growing number of people with chronic conditions such as diabetes, heart disease, and cancer. This has led to an increase in the number of people who need to be treated in hospitals and other health care settings.

Another reason for the increase in the number of people employed in the public sector is the increasing number of people who are employed in the public sector who are employed in health care. This is due to the increasing demand for health care services, and the increasing number of people who are employed in the public sector who are employed in health care.

# SAFETY GUIDE

## PLEASE READ CAREFULLY BEFORE USING THIS APPLIANCE

Please follow all the precautions listed below for safety and to reduce the risk of injury or electric shock.



**WARNING: READ ALL INSTRUCTIONS; FAILURE TO FOLLOW ALL INSTRUCTIONS LISTED BELOW MAY RESULT IN ELECTRIC SHOCK, FIRE OR SERIOUS PERSONAL INJURY.**

## SAVE THESE INSTRUCTIONS FOR FUTURE REFERENCE

1. For hygienic reasons, do not share this appliance with other people.
2. This appliance contains batteries that are non-replaceable.
3. When switched ON, the appliance must never come in contact with the hair on your head, eyelashes, ribbons, etc. to prevent any danger or injury as well as to prevent blockage or damage to the appliance.
4. Only use the appliance as described in this manual.
5. Do not immerse the appliance in water or any other liquid.  
**Warning: Keep the appliance dry**
6. Do not allow the appliance to be exposed to rain or moisture during use or storage.
7. Always check the appliance for damage prior to use. If any damage is observed, do not use the appliance.
8. The appliance is intended for indoor use only.
9. Always switch the appliance OFF after use.
10. This appliance has no user serviceable parts inside. Do not attempt to access the internal components in the appliance.
11. This appliance is for personal use only, not designed for commercial use.
12. Do not use it outdoors.
13. Do not use the appliance if it is not working properly, if it has been dropped or if it has been immersed in any liquid.
14. Before using the appliance, ensure that the epilator head are securely fitted.
15. Do not use it on children or allow children to play with the appliance.
16. The appliance is not to be used by persons (including children) with reduced physical, sensory or mental capabilities, or lack of experience and knowledge, unless they have been given supervision or instructions concerning use of the appliance by a person responsible for their safety.
17. Children must be supervised to ensure that they do not play with the appliance.
18. Do not use the appliance if it has been dropped or any part of the Appliance, accessories and/or the USB cable has been damaged.

**VERY IMPORTANT:**

19. Ensure that the charger (not supplied) and/or USB cable does not get wet, i.e., water splashes etc.
20. Do not use your charger or the USB cable with wet hands.
21. Do not immerse the USB cable in water or other liquids or use near sinks, baths or showers.
22. Only Charge the Appliance with the USB cable that was supplied with the Appliance.
23. Only Charge the Appliance from an Extra Low Voltage Battery Charger (not supplied) with an output rating the same as indicated on the Appliance's rating label.
24. Position the USB cable properly so that it will not be walked on or pinched by items placed on or against them.
25. Use the Appliance, accessories and USB cable only for its intended use. The Appliance, accessories and USB cable are intended for household use only and not for commercial or industrial use.
26. Inspect the USB cable, Appliance and accessories for damage before every use.
27. When charging the appliance, the power switch must be OFF.
28. It is normal for the charger to become warm to touch when charging.
29. Use only attachments provided.
30. This product contains sharp blades, please take utmost care during handling and use.
31. Do not stretch, twist and curl the cable around the appliance.
32. Keep the cable away from hot surfaces.
33. Do not replace the batteries with non-rechargeable batteries.

**CAUTION: To avoid personal injury, do not use the epilator if it has a damaged blade.**

34. Detach the attachment head for cleaning. Only the attachment can be washed under tap water.
35. Do not submerge the appliance, nor make it flow under water-tap.
36. Do not use salt water or boiling water. Also, do not use cleaning products that are designed for toilets, bathrooms or kitchen appliances



**WARNING: Do not recharge non-rechargeable batteries.**



**WARNING: Before charging the product, please make sure your hands are dry.**



## **WARNING**

Only use the USB cable that was supplied with this Appliance.

Consumers are cautioned against trying to replace the battery. Using and/or purchasing counterfeit and/or inferior quality batteries have the potential to cause fire, personal injury, and/or damage to property. These batteries are typically found on online-auction websites or from other retailers and are known to pose a potential safety risk.

Never try to charge non-rechargeable batteries as they may explode or catch on fire or cause personal injury and/or damage to property.

- Batteries may explode if disposed of in fire.
- The battery is not replaceable. Do Not open the appliance.
- Do not use or store in temperatures above 40°C.



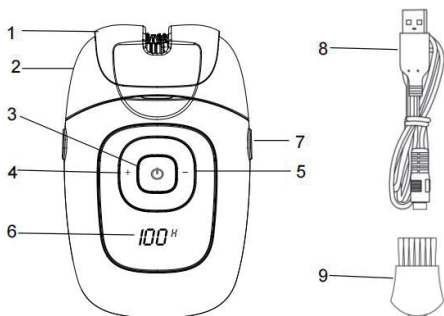
At the end of the appliance's life, it must be disposed of correctly.

Contact your local waste management authority for more information on Battery Recycling and disposal regulations in your area.

Do not dispose of electrical appliances or batteries as unsorted municipal waste, use separate collection facilities. Contact your local council for information regarding the collection systems available. If electrical appliances are disposed of in landfills or dumps, hazardous substances can leak into the groundwater and get into the food chain, damaging your health and well-being. Please contact your local council or regional authority for more information on the collection, reuse, and recycling programmes.

## **Read and Save These Instructions**

## PARTS



- 1 Protective cover
- 2 Epilator head
- 3 On/Off switch
- 4 Speed increase button
- 5 Speed decrease button

- 6 LED display
- 7 Head release button
- 8 USB charging cable
- 9 Cleaning brush

## CHARGING

**IMPORTANT:** This Appliance contains a built-in lithium-ion battery which must only be charged using the supplied USB cable.

Always switch off and unplug the USB cable when charging is completed or when not in use.

**DO NOT allow to charge for more than 2 hours.**

**Normal charge takes approximately 1.5 hours.**

If any abnormality occurs during charging, (such as burning smell or excessive heat or even a strange sound) immediately turn off the charger and disconnect the USB cable.

**IMPORTANT: The Appliance must be fully charged before first use.**

- Take the USB Cable and fully ravel it before using it to charge the Appliance.
- Plug the small end of the USB cable directly into the bottom of the appliance.
- Plug the large end of the USB cable into your 5Vd.c. 1A USB charger (not supplied) and switch on.
- The LED display will light up and indicate the level of charge and the " ⚡ " symbol will illuminate indicating the battery is charging.
- When full charged, the LED numerical display will show "100".
- Unplug the USB charging cable from the appliance.

## OPERATING INSTRUCTIONS

### EPILATION



**WARNING:**

Switch OFF the device before replacing or changing the attachments



**CAUTION:**

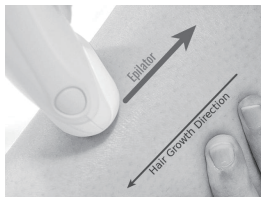
When the epilator is overloaded, when pressed too hard on skin, the LED display will flash, and unit will turn OFF automatically. This is normal.



**HELPFUL  
HINTS**

- When using an epilator for the first time, epilate in the evening so that any possible reddening can disappear overnight.
- The optimum length for hair removal is between 2-5mm.
- Take a warm bath or shower before epilating. This will make your skin more pliable.
- To relax the skin, we recommend applying a moisture cream after epilation.

- 
1. Attach the epilator head to the main unit. Push on the attachment into the slot of the main body until it audibly and firmly locks into place.
  2. Press the On/Off switch to turn ON the unit.
  3. Adjust speed by using the Speed increase/ decrease button.
  4. Low speed "L" is recommended for fine hair and High speed "H" is recommended for course hair or stronger hair growth.
  5. The light illuminates as long as the appliance is switched ON. This provides better visibility of fine hair or skin.
  6. Hold the skin taut to make the hairs stand upright. Position the epilator flat so that the tweezers are at 90° angle and flat against the skin.
  7. Slowly and gently glide the epilator over skin. The movement should be against the hair growth.



8. Repeat each area until all unwanted hair is removed.
9. After epilating, turn the epilator OFF and replace the protective cap for storage.

### **ARM & LEG EPIPLATION**

Epilate from the lower arm or leg and slowly move upwards. To epilate behind the elbow or knee, keep the arm or leg straight to stretch the skin.

### **UNDERARM & BIKINI LINE EPIPLATION**

Please be aware that this area is particularly sensitive, therefore we recommend that you select speed "L" for the first few times. With repeated usage the pain sensation will diminish.

When epilating the underarm, keep your arm raised up so that the skin is stretched and then guide the appliance in different directions.

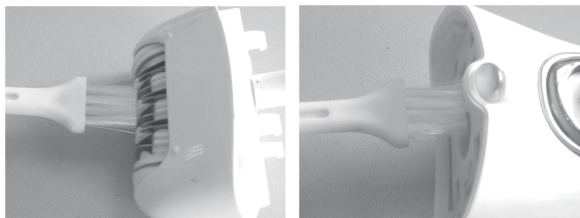
To make more comfort, ensure the skin is held taut and the hair is at the optimum length of 2-5mm. If the hair is too long, trim the hair with scissors before epilation.



## CLEANING AND MAINTENANCE

### Clean the epilator head

- Clean the epilator after each use
- Always switch OFF the epilator before cleaning.
- Press the head release button and detach the epilator head.
- The epilator head can be removed and rinsed for cleaning. For optimal cleaning; brush hairs from the tweezers before rinsing.



#### WARNING:

The body of the epilator is not washable. Do not submerge in water.

## TECHNICAL SPECIFICATIONS

Working time	Approximately 40 minutes
Charging time	1.5hr
Input voltage	5Vd.c. 1.0A
Battery type	Li-ion, 600mAh, 3.7V (1 cell)

## 12 Month Warranty

Thank you for your purchase.

Your new product is warranted to be free from defects in materials and workmanship for the period stated above, from the date of purchase, provided that the product is used in accordance with accompanying recommendations or instructions where provided. This warranty is in addition to your rights under the Australian Consumer Law.

For New Zealand customers, this warranty is in addition to statutory rights observed under New Zealand legislation.

We will provide you with your choice of a refund, repair (where possible) or exchange (availability dependent) for this product if it becomes defective within the warranty period. The business will bear the reasonable expense of claiming the warranty.

This warranty will no longer apply where the defect is a result of alteration, accident, misuse, abuse or neglect.

Please retain your receipt as proof of purchase and contact our Customer Service Centre as listed below, for the entity you purchased this product from, for any difficulties with your product. Warranty claims and claims for expense incurred in returning this product can be addressed to the respective Customer Service Centre.

Our goods come with guarantees that cannot be excluded under the Australian Consumer Law. You are entitled to a replacement or refund for a major failure and compensation for any other reasonably foreseeable loss or damage. You are also entitled to have the goods repaired or replaced if the goods fail to be of acceptable quality and the failure does not amount to a major failure.

Contact for Kmart purchases	Contact for Target purchases
Kmart Australia Ltd. C/- Customer Service Centre 690 Springvale Road, Mulgrave Vic 3170 Customer Service: 1800 124 125 (Australia) or 0800 945 995 (New Zealand) or via Customer Help at <a href="http://kmart.com.au">kmart.com.au</a>	Target Australia Pty Ltd C/- Customer Service Centre 2 Kendall Street, Williams Landing, Vic, 3027 Customer Service: 1300 753 567 or via Customer Help at <a href="http://target.com.au/help/contact-us">target.com.au/help/contact-us</a>



the 1990s, the number of people with a disability in the United States has increased by 25% (U.S. Census Bureau, 2000). The number of people with a disability in the United States is expected to increase to 35% by the year 2020 (U.S. Census Bureau, 2000).

As the number of people with a disability increases, the need for accessible information and services also increases. The National Center for Accessible Information (NCAI) is a national organization that provides information and services to people with disabilities. NCAI is a part of the U.S. Department of Education. NCAI's mission is to provide information and services to people with disabilities in order to help them to participate fully in society.

NCAI provides information and services to people with disabilities in a number of ways. NCAI provides information and services to people with disabilities through a variety of channels, including the Internet, telephone, and mail. NCAI also provides information and services to people with disabilities through a variety of channels, including the Internet, telephone, and mail. NCAI also provides information and services to people with disabilities through a variety of channels, including the Internet, telephone, and mail.

NCAI provides information and services to people with disabilities in a number of ways. NCAI provides information and services to people with disabilities through a variety of channels, including the Internet, telephone, and mail. NCAI also provides information and services to people with disabilities through a variety of channels, including the Internet, telephone, and mail. NCAI also provides information and services to people with disabilities through a variety of channels, including the Internet, telephone, and mail.

NCAI provides information and services to people with disabilities in a number of ways. NCAI provides information and services to people with disabilities through a variety of channels, including the Internet, telephone, and mail. NCAI also provides information and services to people with disabilities through a variety of channels, including the Internet, telephone, and mail. NCAI also provides information and services to people with disabilities through a variety of channels, including the Internet, telephone, and mail.

NCAI provides information and services to people with disabilities in a number of ways. NCAI provides information and services to people with disabilities through a variety of channels, including the Internet, telephone, and mail. NCAI also provides information and services to people with disabilities through a variety of channels, including the Internet, telephone, and mail. NCAI also provides information and services to people with disabilities through a variety of channels, including the Internet, telephone, and mail.

NCAI provides information and services to people with disabilities in a number of ways. NCAI provides information and services to people with disabilities through a variety of channels, including the Internet, telephone, and mail. NCAI also provides information and services to people with disabilities through a variety of channels, including the Internet, telephone, and mail. NCAI also provides information and services to people with disabilities through a variety of channels, including the Internet, telephone, and mail.

NCAI provides information and services to people with disabilities in a number of ways. NCAI provides information and services to people with disabilities through a variety of channels, including the Internet, telephone, and mail. NCAI also provides information and services to people with disabilities through a variety of channels, including the Internet, telephone, and mail. NCAI also provides information and services to people with disabilities through a variety of channels, including the Internet, telephone, and mail.