

Assembly Instruction

43465903 ALMA CHEST OF DRAWERS

CARE INSTRUCTIONS:


















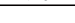

WIPE CLEAN WITH A SOFT DAMP CLOTH. DO NOT USE ABRASIVE MATERIALS AND SOLVENTS. CHECK AND TIGHTEN ALL PARTS REGULARLY. DO NOT PLACE HOT ITEMS SUCH AS COFFEE CUPS DIRECTLY ON THE SURFACE. KEEP AWAY FROM WATER AND DIRECT SUNLIGHT. STORE IN A DRY PLACE. FOR DOMESTIC USE ONLY. FOR INDOOR USE ONLY. A MILD ODOUR MAY BE PRESENT WHEN FIRST OPENING THIS CARTON. SIMPLY ALLOW TO AIR OUTSIDE AND THIS WILL FADE.

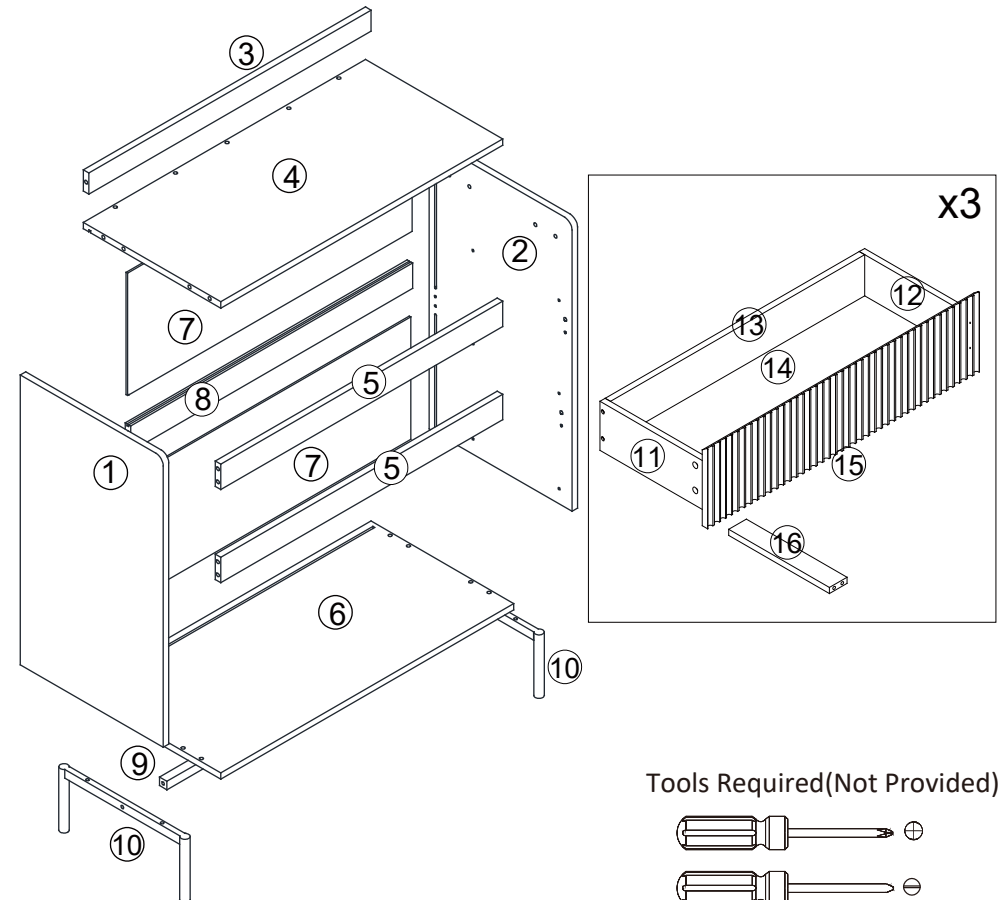
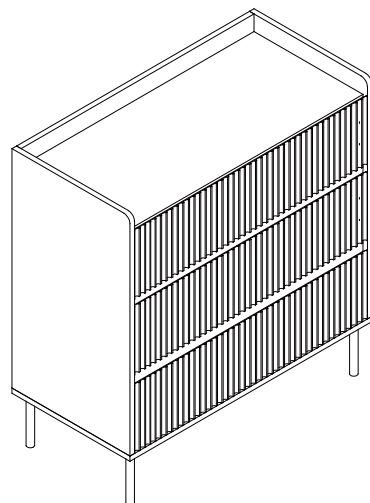
WARNING:

DO NOT STAND OR SIT ON THIS UNIT. DO NOT USE THIS UNIT UNLESS ALL BOLTS AND SCREWS ARE FIRMLY SECURED. DO NOT KNOCK OR DRAG THIS UNIT. USE ONLY ON A FLAT SURFACE. LOAD DRAWER EVENLY TO PREVENT FROM TIPPING OVER. THIS PACKAGE CONTAINS SMALL PARTS AND SHARP POINTS. KEEP AWAY FROM CHILDREN AND BABIES. ADULT ASSEMBLY REQUIRED. FAILURE TO FOLLOW THESE WARNINGS COULD RESULT IN SERIOUS INJURY.

MAXIMUM SAFE LOAD: 15KGS FOR TOP, 7.5KGS FOR EACH DRAWER.

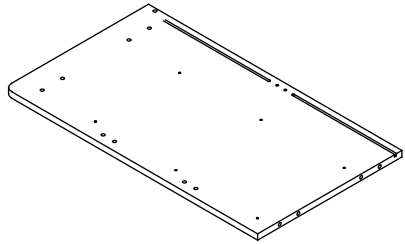
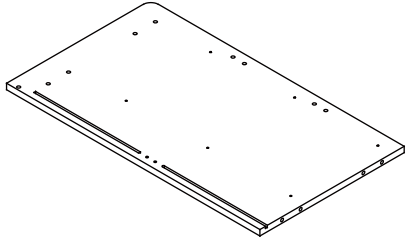
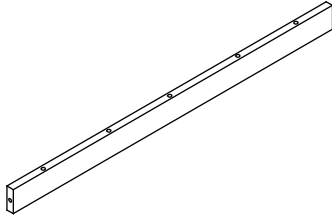
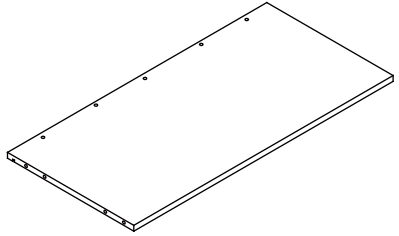
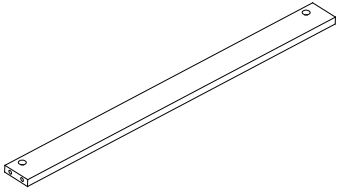
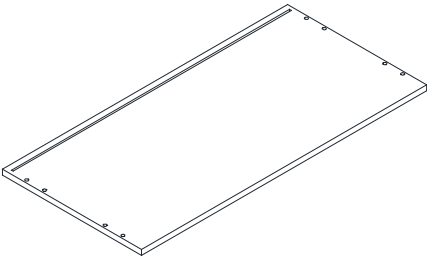
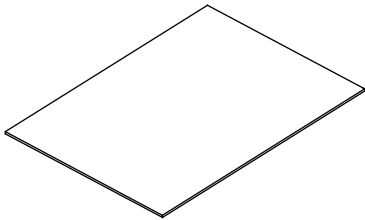
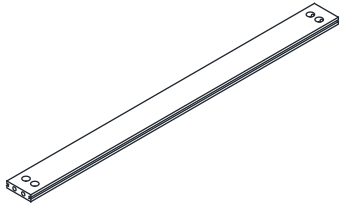
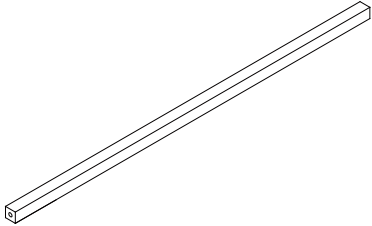
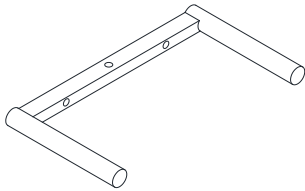
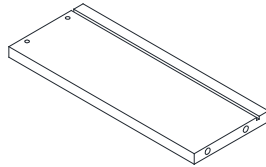
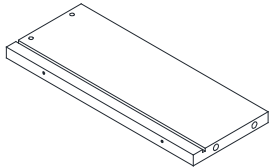
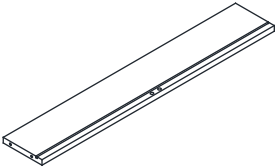
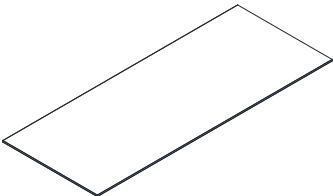
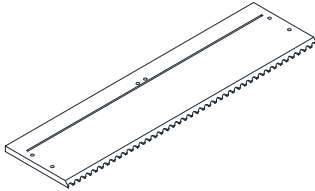
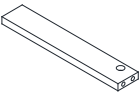
Hardware List

	A	6x35mm	27pcs		J	6x30mm	6pcs
	B		27pcs		K	3x16mm	8pcs
	C	8x30mm	16pcs		L		8pcs
	D	4x35mm	23pcs		M	7x40mm	4pcs
	E	3x12mm	24pcs		N		2pcs
 		300mm	3pcs		O	4x12mm	2pcs
 		300mm	3pcs		P	6x30mm	2pcs
	H	4mm	1pc		R	6x30mm	3pcs
	I		10pcs				

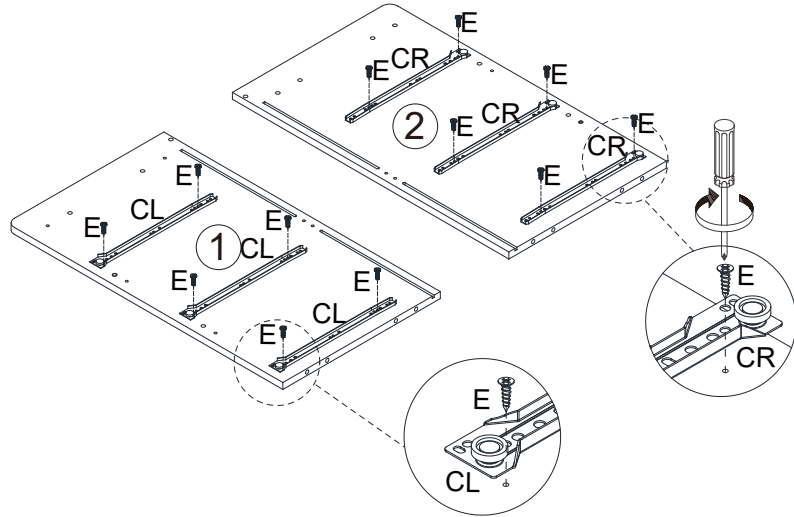


Do not tighten the screws fully during assembly.
Fully tighten screws after the final assembly steps.

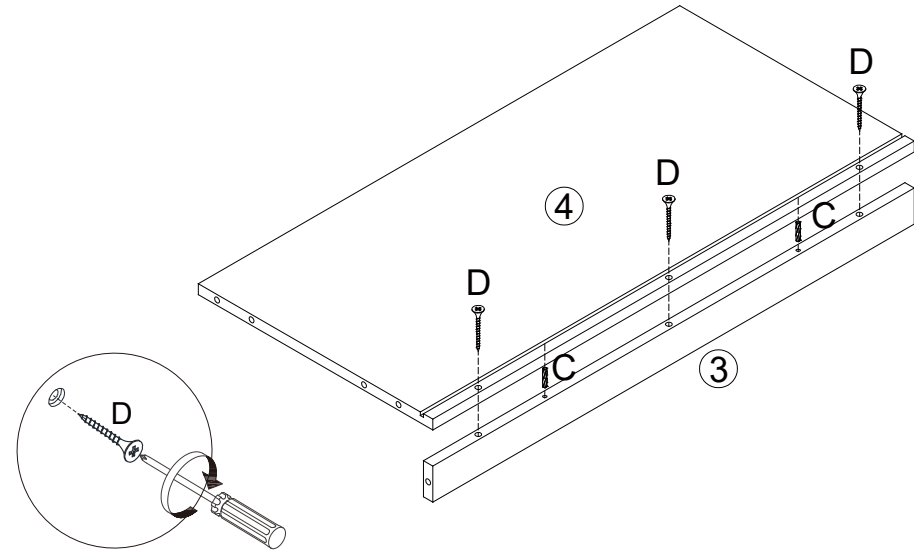
Part List

			
① 1 PC	② 1 PC	③ 1 PC	④ 1 PC
			
⑤ 2 PCS	⑥ 1 PC	⑦ 2 PCS	⑧ 1 PC
			
⑨ 1 PC	⑩ 2 PCS	⑪ 3 PCS	⑫ 3 PCS
			
⑬ 3 PCS	⑭ 3 PCS	⑮ 3 PCS	⑯ 3 PCS

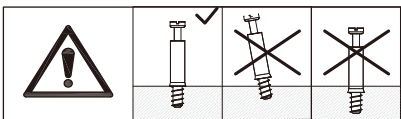
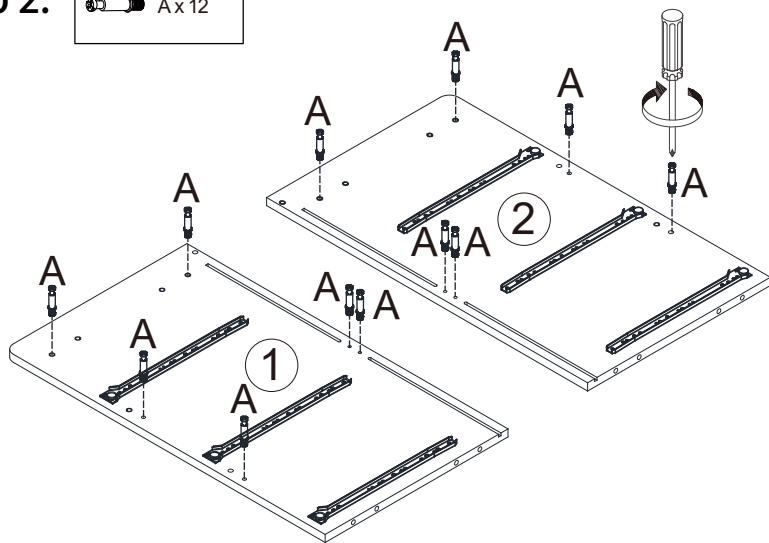
Step 1:



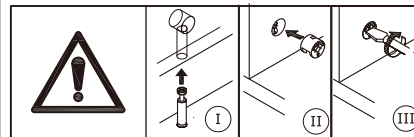
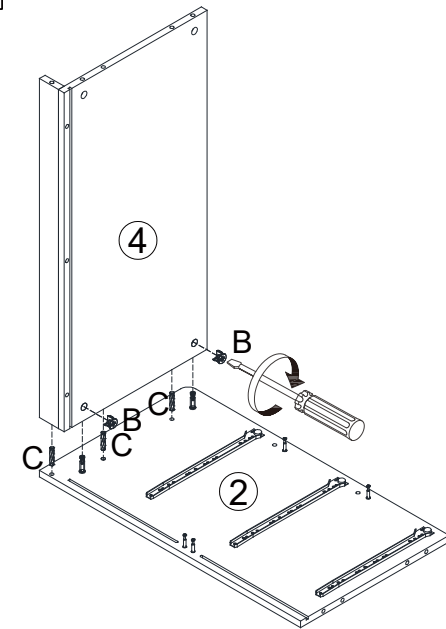
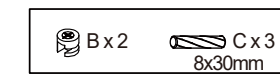
Step 3:



Step 2:

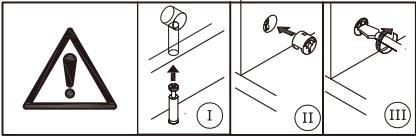
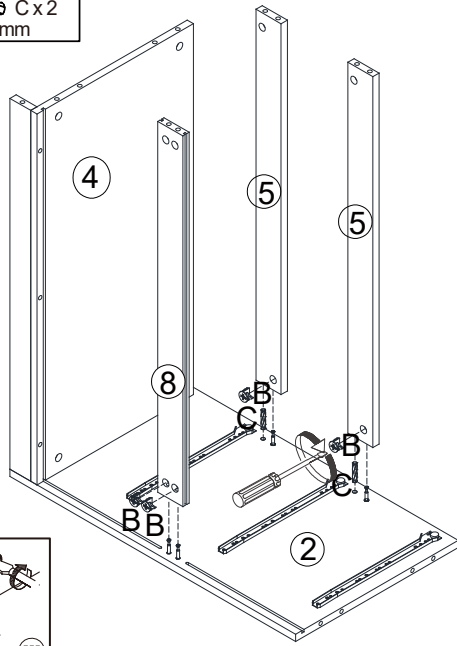


Step 4:



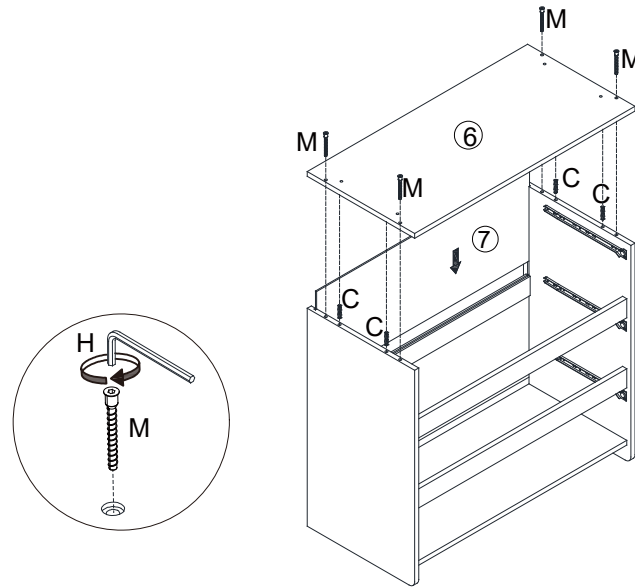
Step 5:

B x 4
C x 2
8x30mm



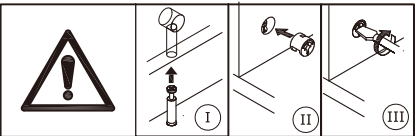
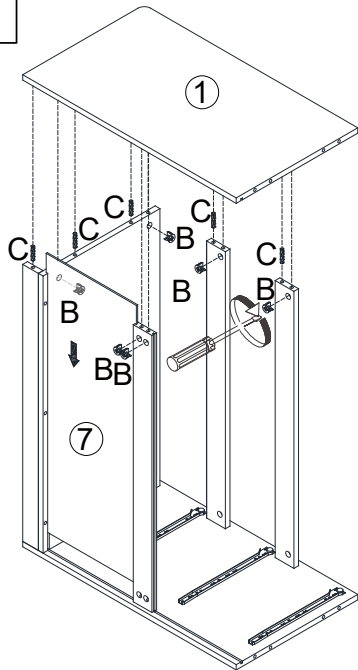
Step 7:

C x 4
8x30mm
M x 4
7x40mm
H x 1



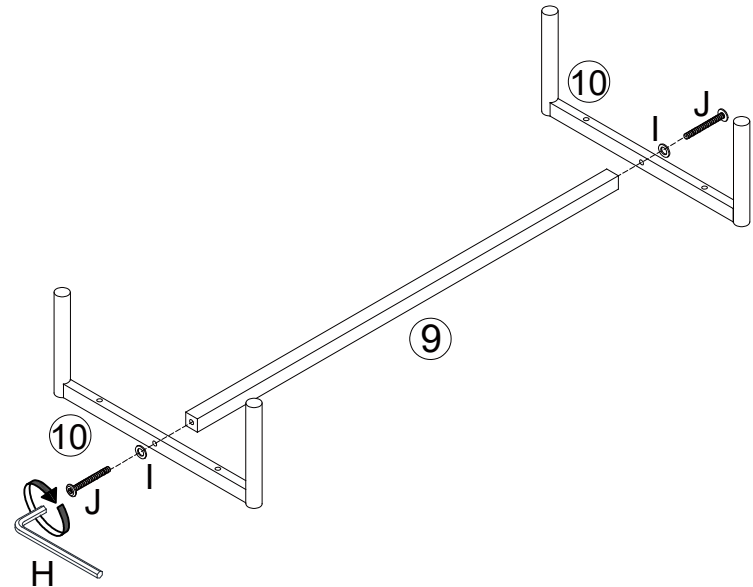
Step 6:

B x 6
C x 5
8x30mm



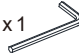




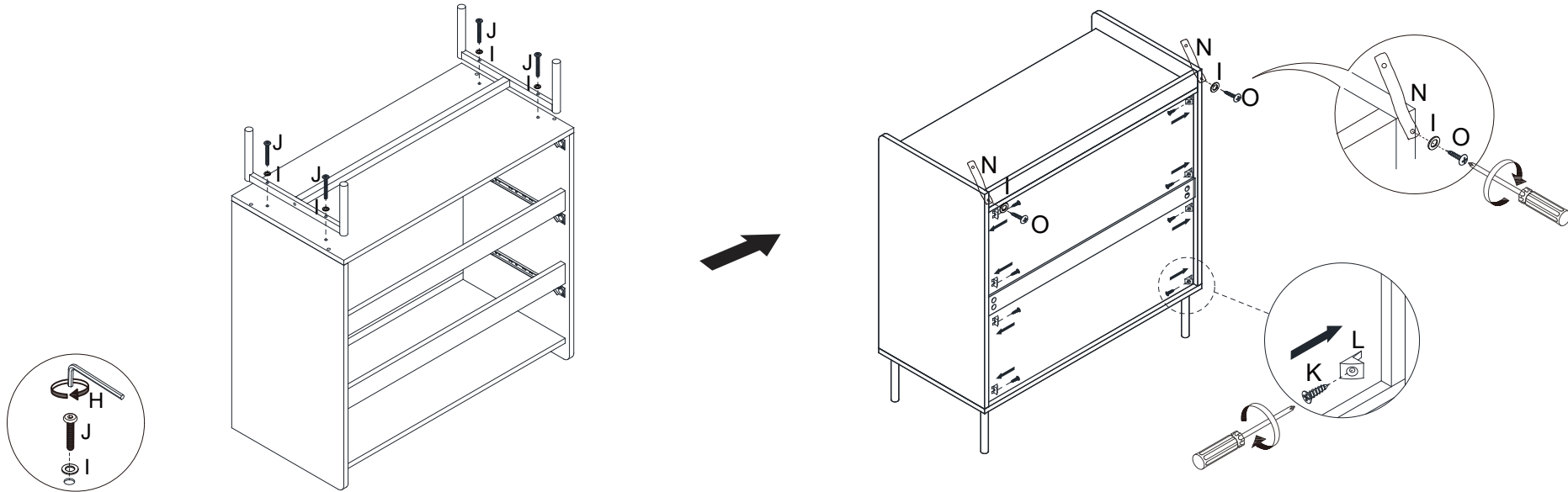
Step 8:

I x 2
J x 2
6x30mm
H x 1

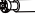

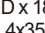
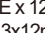





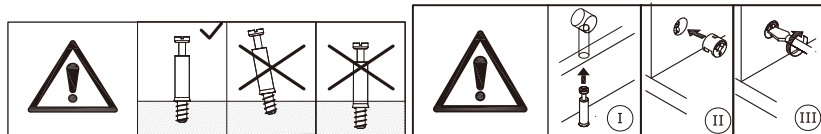
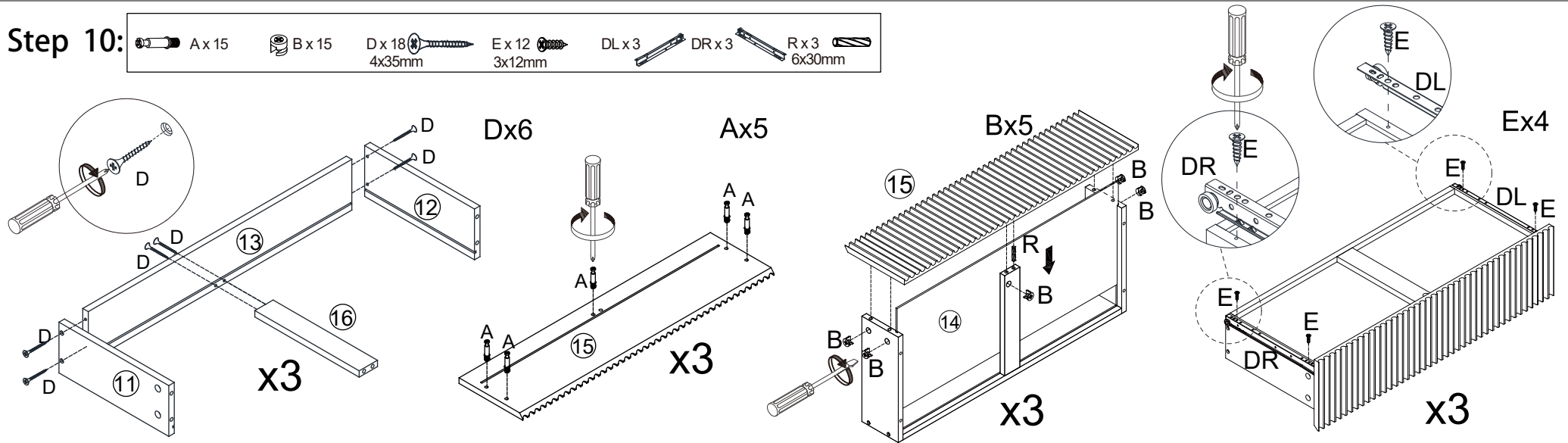
Step 9:

Ix6  Jx4  6x30mm Hx1  Kx8  3x16mm Lx8  Nx2  Ox2 4x12mm

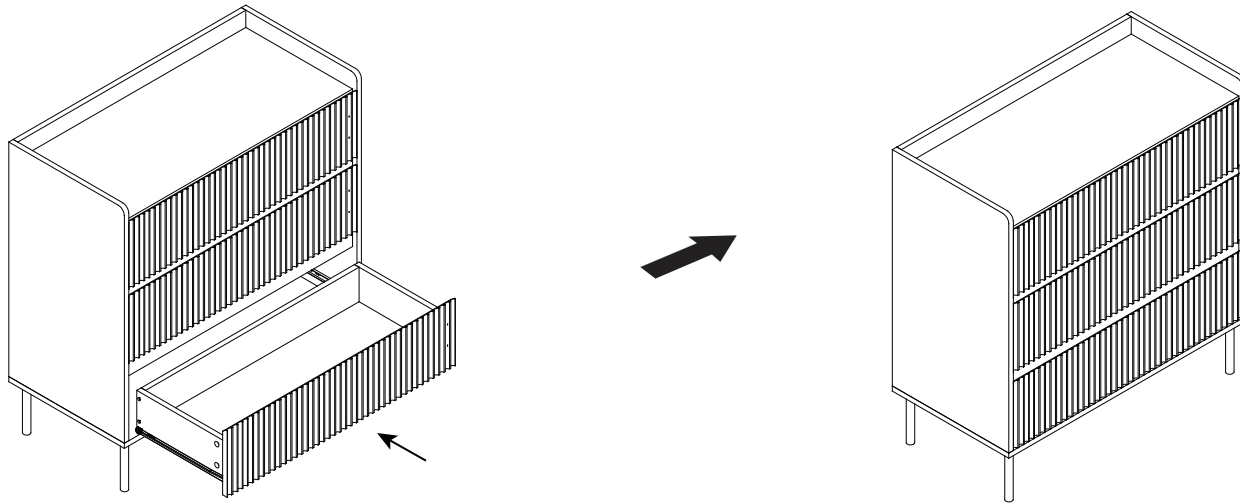


Step 10:

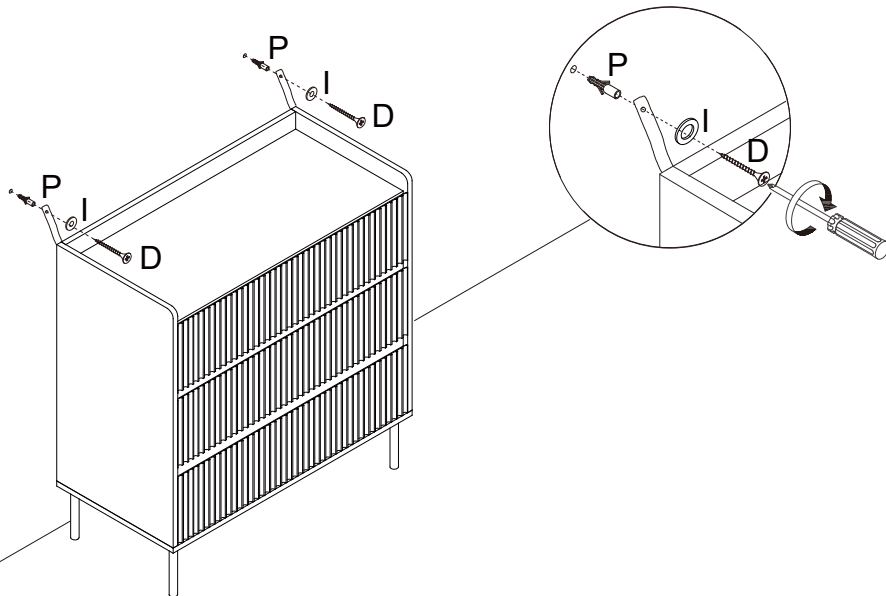
Ax15  Bx15  Dx18  4x35mm Ex12  3x12mm DLx3  DRx3  Rx3  6x30mm



Step 11:



Step 12:



WARNING:

- It is strongly recommended that this product is permanently fixed to the wall.
- Please seek professional advice if you are in doubt of what fixing device to use.
- Regularly check that anchors are securely maintained.
- Use safety drawer locks to prevent children climbing.
- Stability of tall items may be affected by thick pile carpet or uneven floors .
- Do not place unanchored televisions on furniture.

CAUTION: for your safety when attaching the anchor fixings, please note the following:

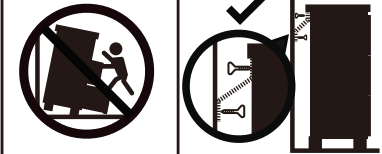
- Check any electrical wires or plumbing inside the wall before drilling any holes (if you are unsure please seek professional advice from a qualified tradesperson).



WARNING: PLEASE SECURE YOUR FURNITURE WITH THE SUPPLIED WALL FIXING. SCAN THE CODE FOR MORE INFORMATION.



WARNING



Children have died from furniture tipover.

- ALWAYS secure it with an anchor device.
- NEVER allow children to stand, climb or hang on drawers, doors, or shelves.
- NEVER open more than one drawer at a time.
- Place heavy items down low.

NEVER put a TV on this furniture



This is a permanent label. Do not remove!