

Assembly Instruction

43465910 ALMA BEDSIDE TABLE

CARE INSTRUCTIONS:

















WIPE CLEAN WITH A SOFT DAMP CLOTH. DO NOT USE ABRASIVE MATERIALS AND SOLVENTS. CHECK AND TIGHTEN ALL PARTS REGULARLY. DO NOT PLACE HOT ITEMS SUCH AS COFFEE CUPS DIRECTLY ON THE SURFACE. KEEP AWAY FROM WATER AND DIRECT SUNLIGHT. STORE IN A DRY PLACE. FOR DOMESTIC USE ONLY. FOR INDOOR USE ONLY. A MILD ODOUR MAY BE PRESENT WHEN FIRST OPENING THIS CARTON. SIMPLY ALLOW TO AIR OUTSIDE AND THIS WILL FADE.

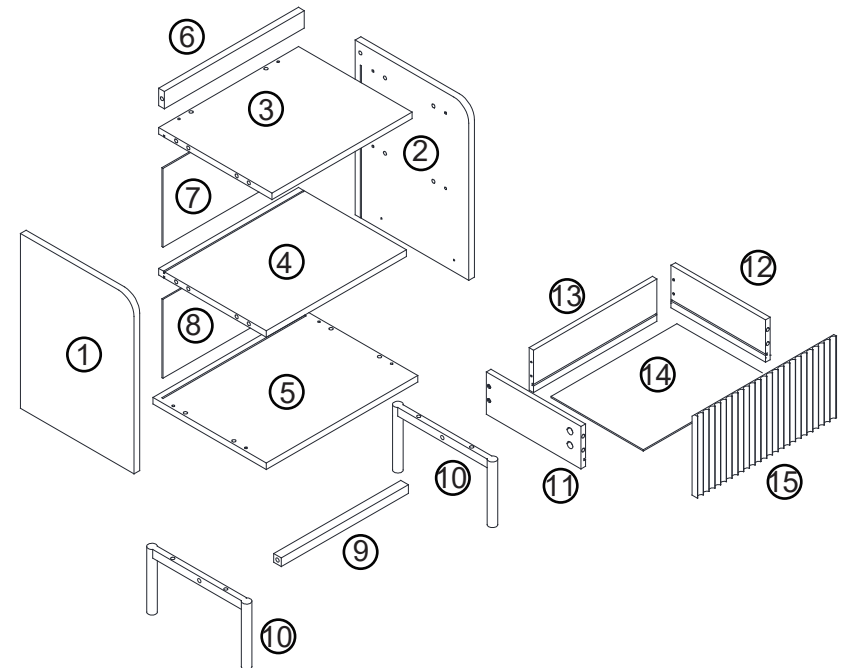
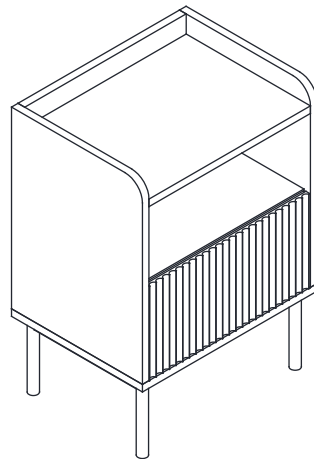
WARNING:

DO NOT STAND OR SIT ON THIS UNIT. DO NOT USE THIS UNIT UNLESS ALL BOLTS AND SCREWS ARE FIRMLY SECURED. DO NOT KNOCK OR DRAG THIS UNIT. USE ONLY ON A FLAT SURFACE. LOAD SHELF EVENLY TO PREVENT FROM TIPPING OVER. THIS PACKAGE CONTAINS SMALL PARTS AND SHARP POINTS. KEEP AWAY FROM CHILDREN AND BABIES. ADULT ASSEMBLY REQUIRED. FAILURE TO FOLLOW THESE WARNINGS COULD RESULT IN SERIOUS INJURY.

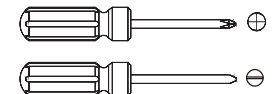
MAXIMUM SAFE LOAD: 5KGS FOR TOP, 3KGS FOR SHELF, 5KGS FOR DRAWER.

Hardware List

	A	6x35mm	12pcs		I		10pcs
	B		12pcs		J	6x25mm	6pcs
	C	6x30mm	16pcs		K	3x16mm	8pcs
	D	4x35mm	8pcs		L		8pcs
	E	3x12mm	8pcs		M	7x40mm	4pcs
		250mm	1pc		N		2pcs
		250mm	1pc		O	4x12mm	2pcs
	H	4mm	1pc		P	6x30mm	2pcs

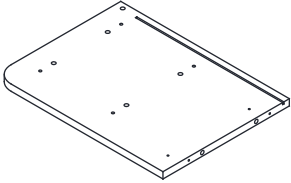
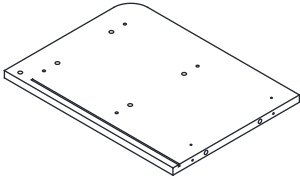
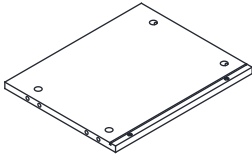
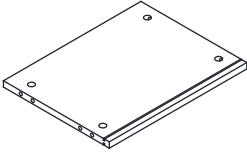
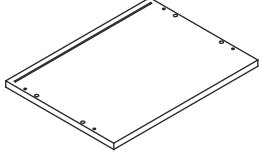
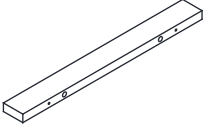
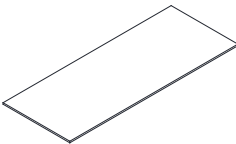
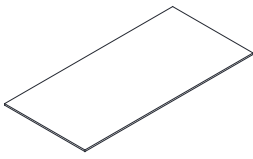
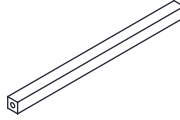
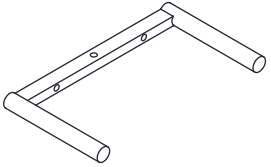
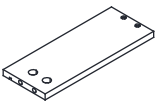
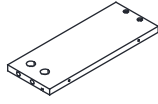
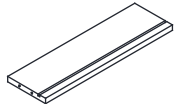

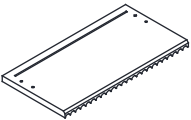


Tools Required (Not Provided)

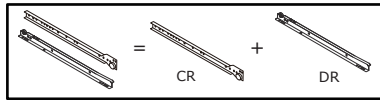
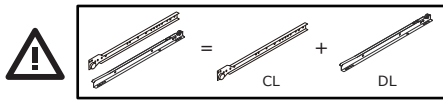
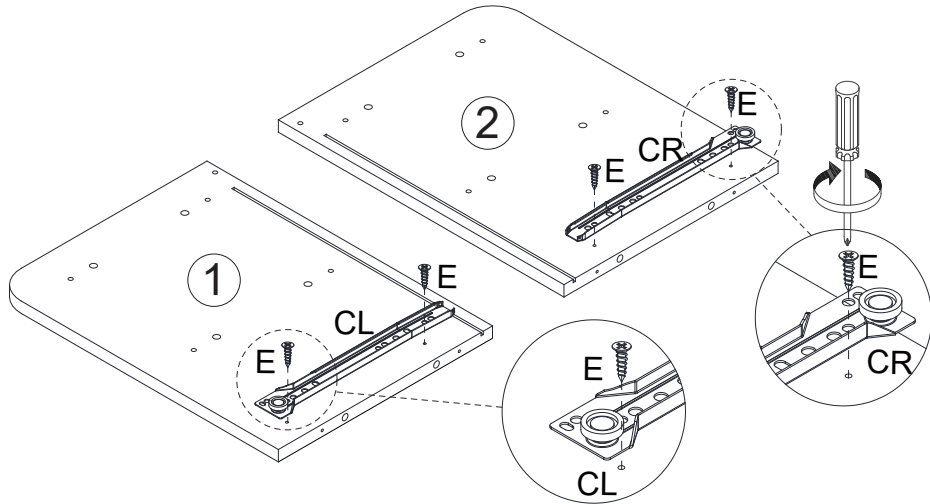


Do not tighten the screws fully during assembly.
Fully tighten screws after the final assembly steps.

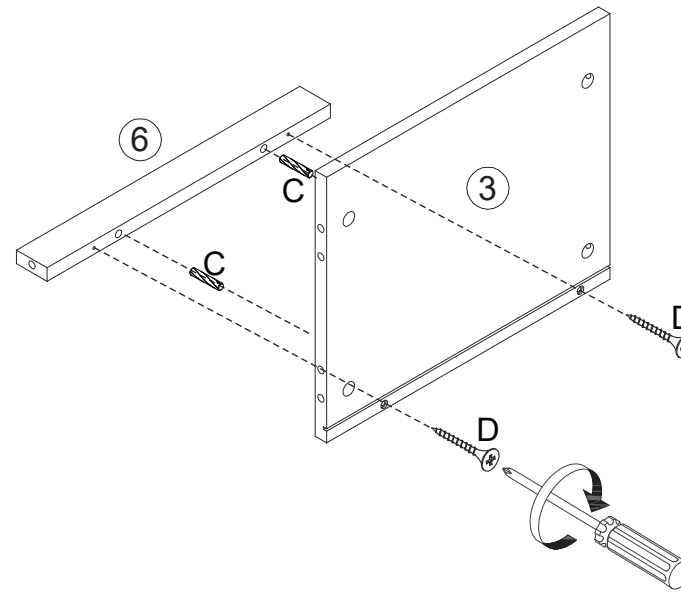
Part List

									
①	1 PC	②	1 PC	③	1 PC	④	1 PC	⑤	1 PC
									
⑥	1 PC	⑦	1 PC	⑧	1 PC	⑨	1 PC	⑩	2 PCS
									
⑪	1 PC	⑫	1 PC	⑬	1 PC	⑭	1 PC	⑮	1 PC

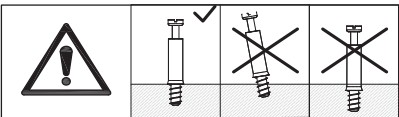
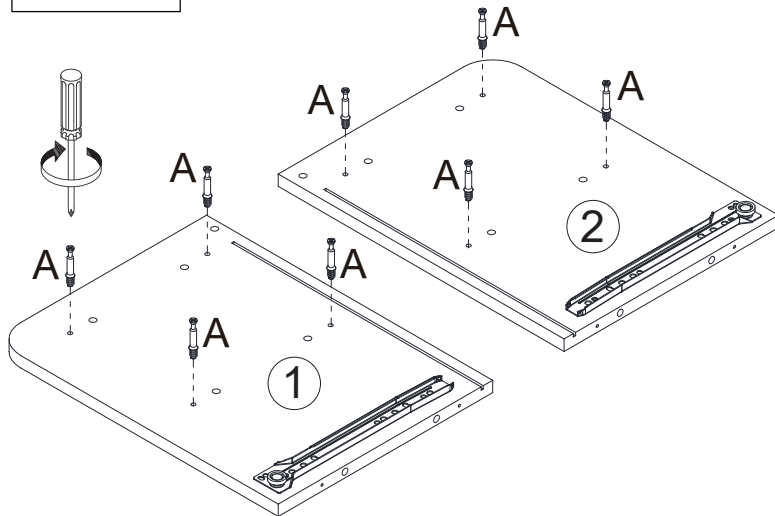
Step 1:



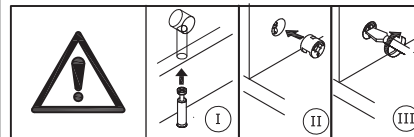
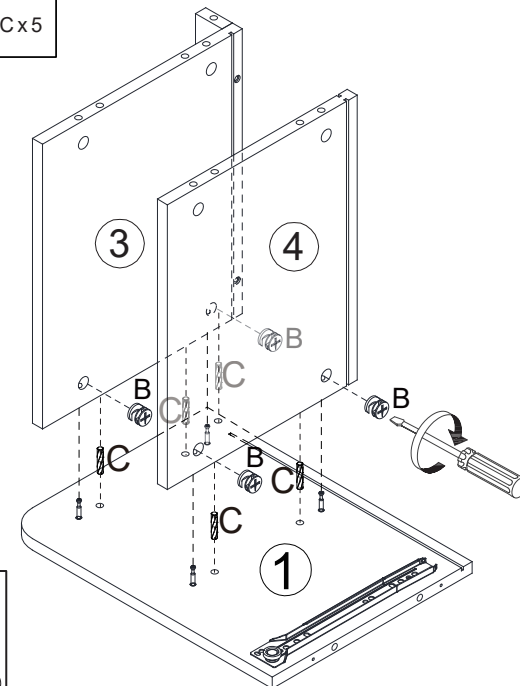
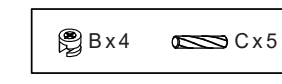
Step 3:



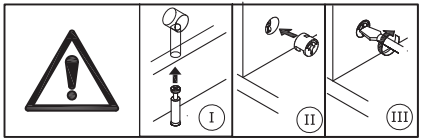
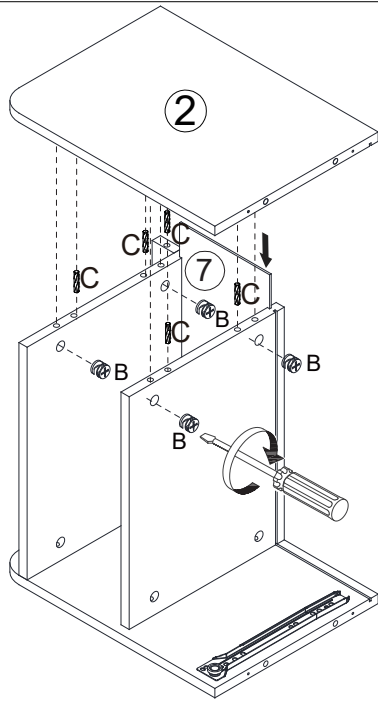
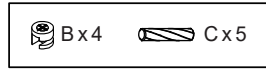
Step 2:



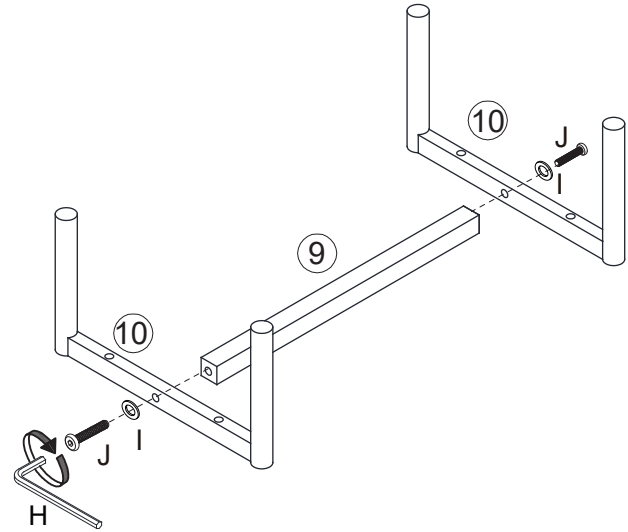
Step 4:



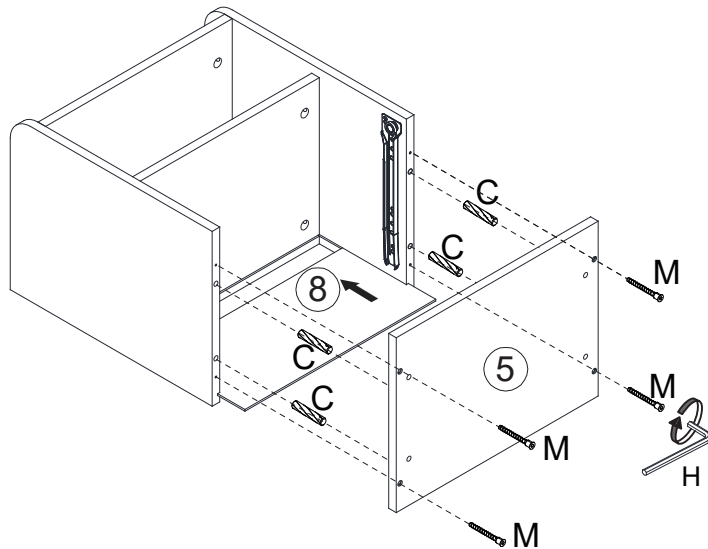
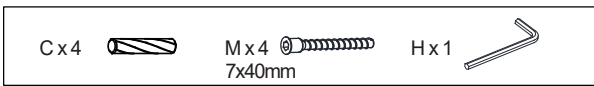
Step 5:



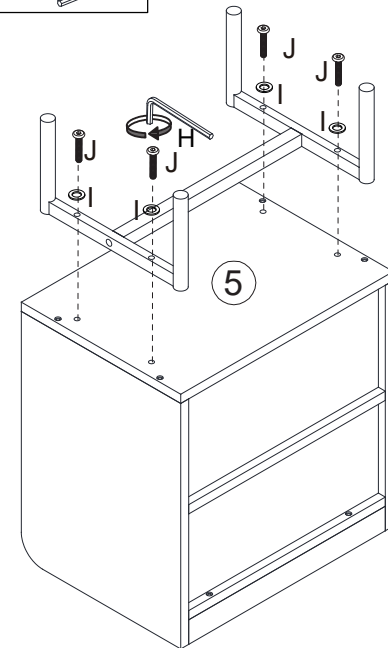
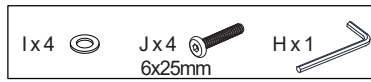
Step 7:



Step 6:

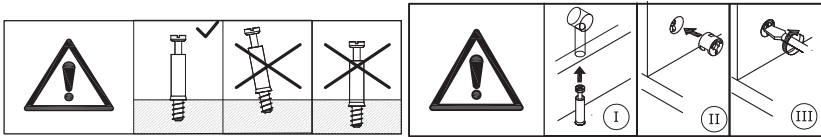
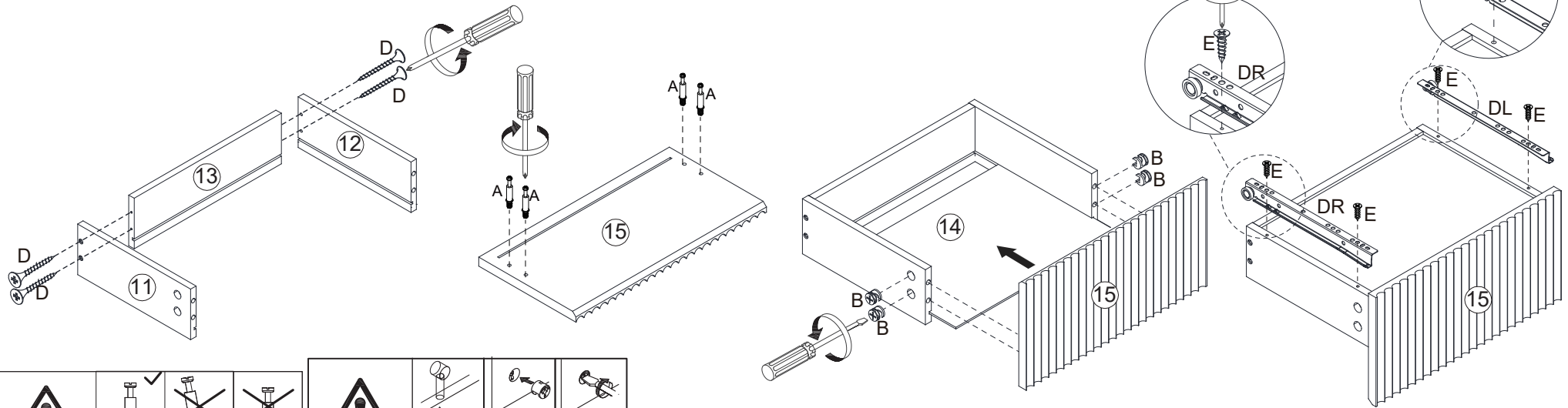


Step 8:



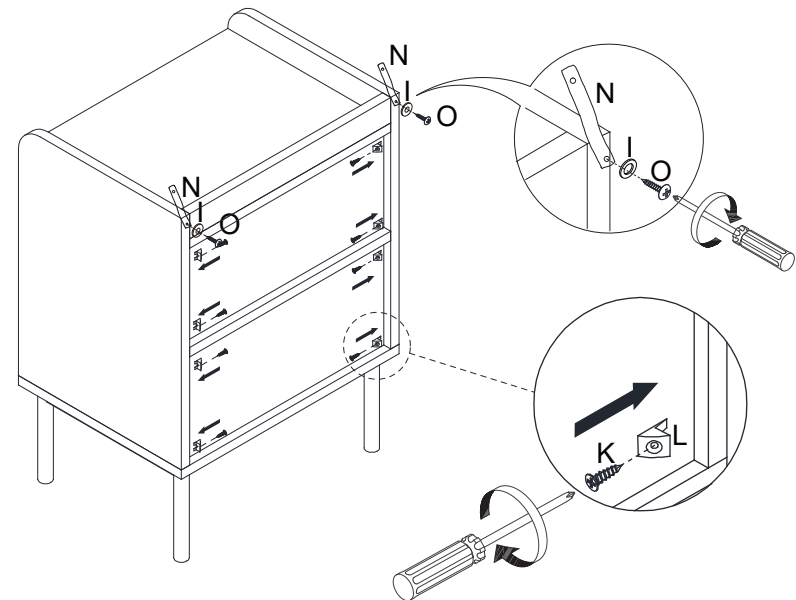
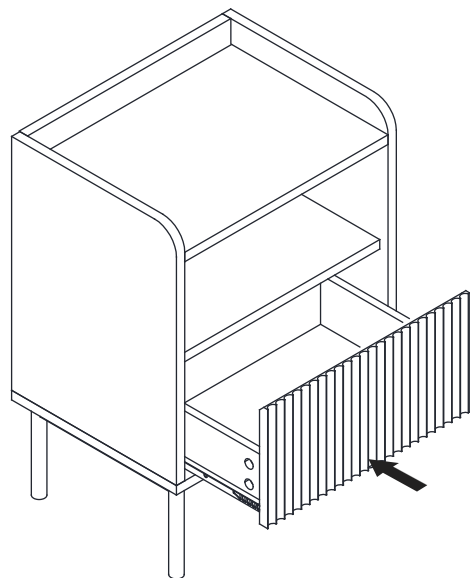
Step 9:

 Ax4
  Bx4
  Dx4 4x35mm
  Ex4 3x12mm
  DLx1
  DRx1

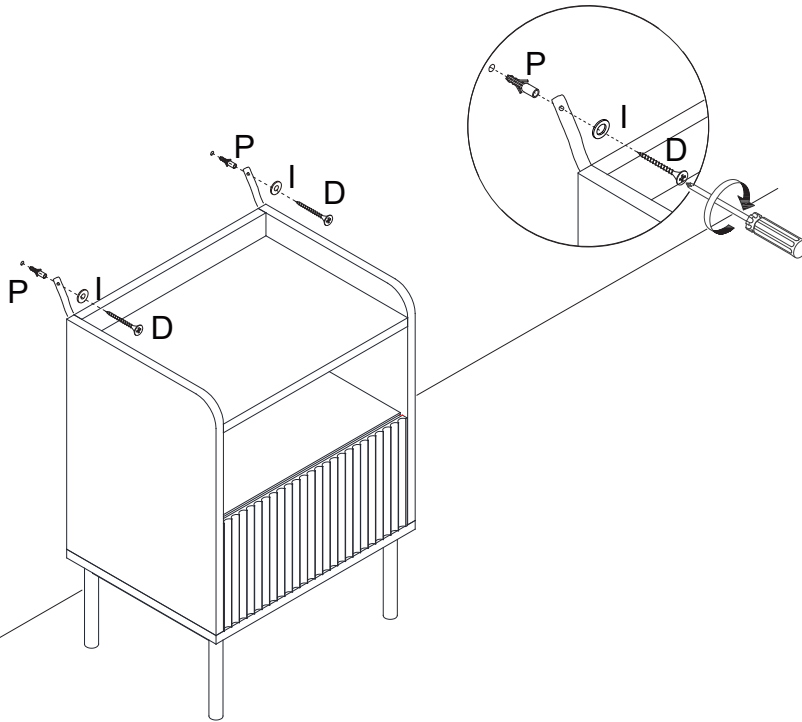


Step 10:

 Ix2
  Kx8 3x16mm
  Lx8
  Nx2
  Ox2 4x12mm



Step 11:



WARNING:

- It is strongly recommended that this product is permanently fixed to the wall.
- Please seek professional advice if you are in doubt of what fixing device to use.
- Regularly check that anchors are securely maintained.
- Use safety drawer locks to prevent children climbing.
- Stability of tall items may be affected by thick pile carpet or uneven floors .
- Do not place unanchored televisions on furniture.

CAUTION: for your safety when attaching the anchor fixings, please note the following:

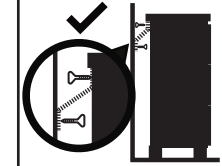
- Check any electrical wires or plumbing inside the wall before drilling any holes (if you are unsure please seek professional advice from a qualified tradesperson).



WARNING: PLEASE SECURE YOUR FURNITURE WITH THE SUPPLIED WALL FIXING. SCAN THE CODE FOR MORE INFORMATION.



⚠ WARNING



Children have died from furniture tipover.

- ALWAYS secure it with an anchor device.
- NEVER allow children to stand, climb or hang on drawers, doors, or shelves.
- NEVER open more than one drawer at a time.
- Place heavy items down low.
- Furniture type is at risk of toppling over.

NEVER put a TV on this furniture



This is a permanent label. Do not remove!