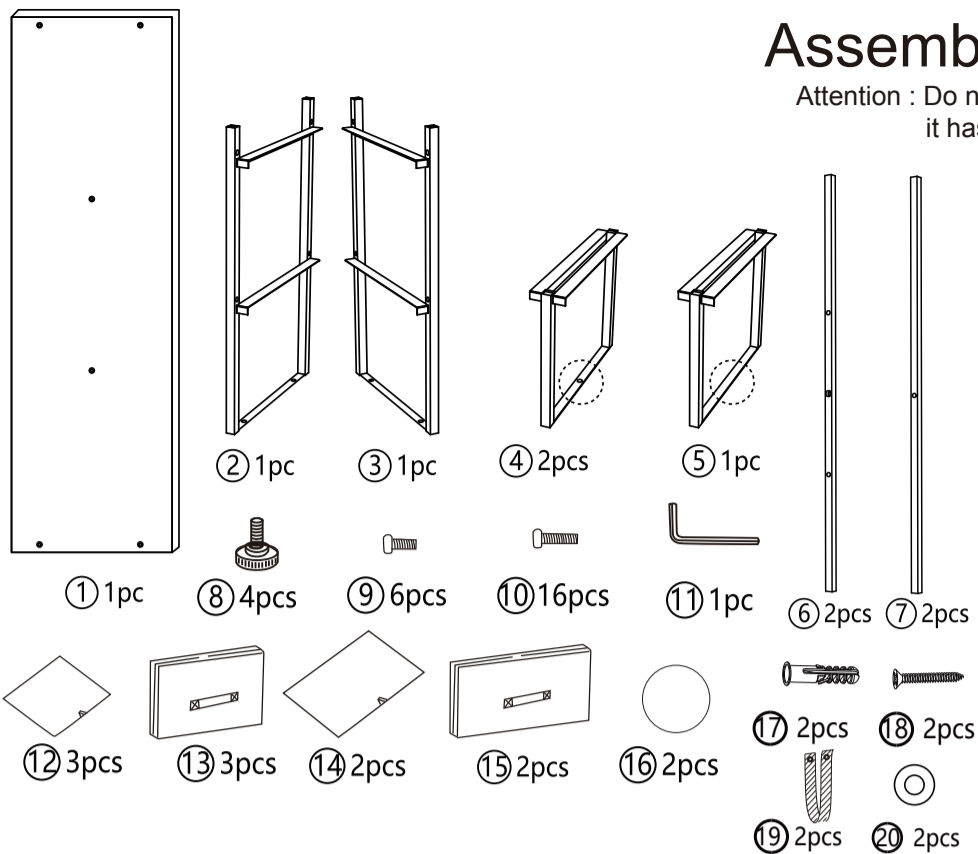
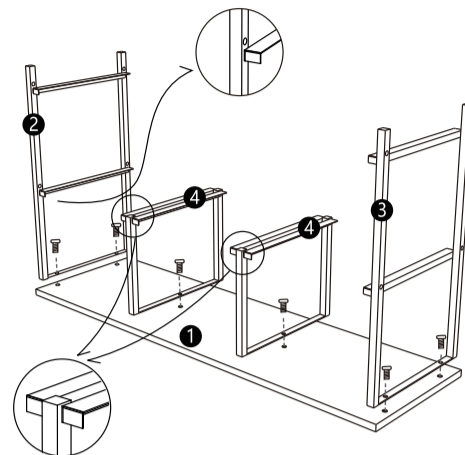


Assembly Instructions

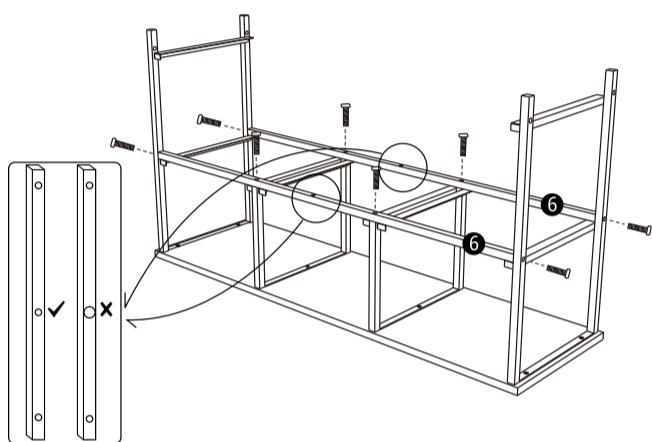
Attention : Do not tighten the screws until it has been fully assembled.



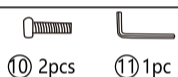
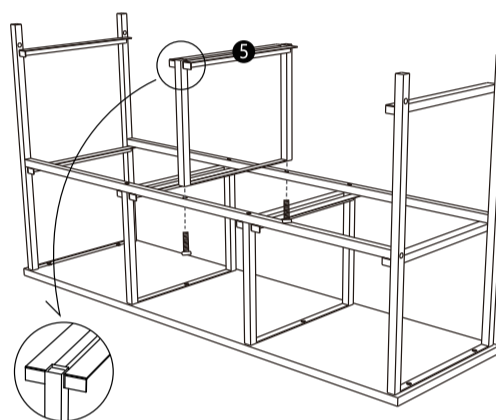
Step 1



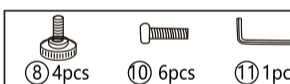
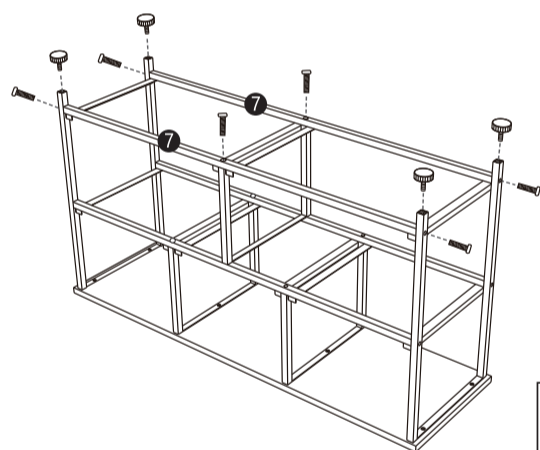
Step 2



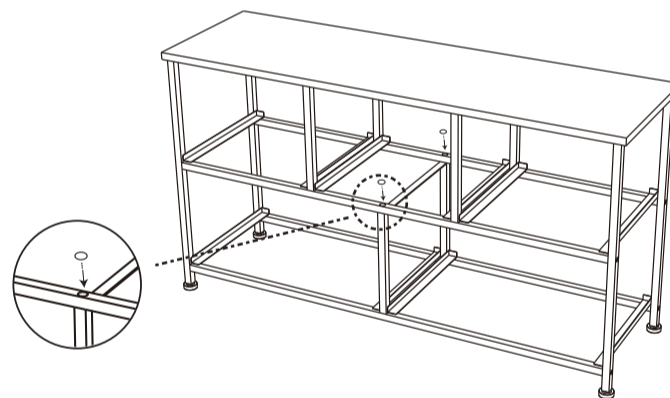
Step 3



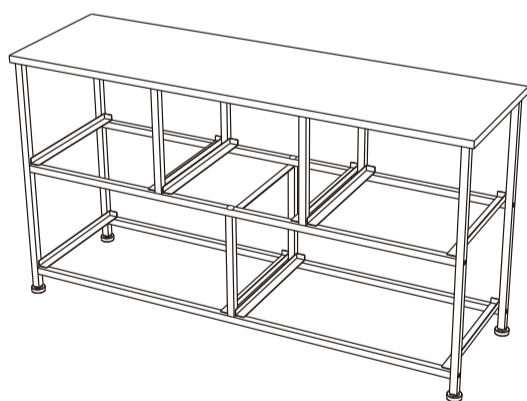
Step 4



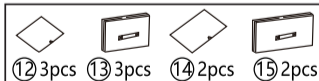
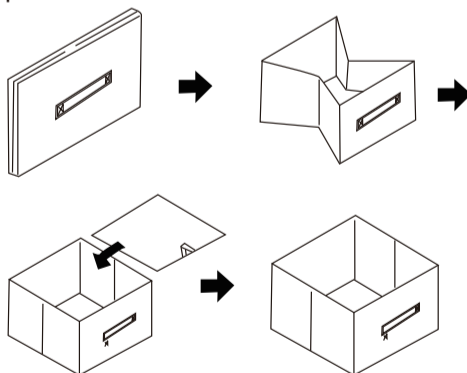
Step 5



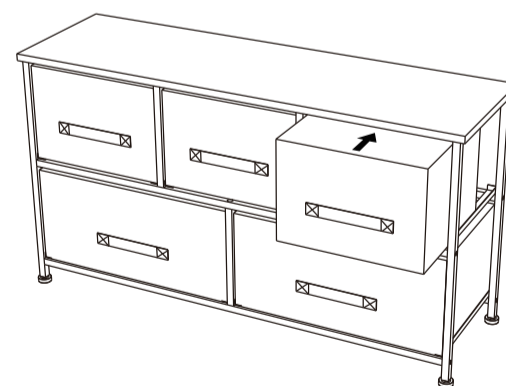
Step 6



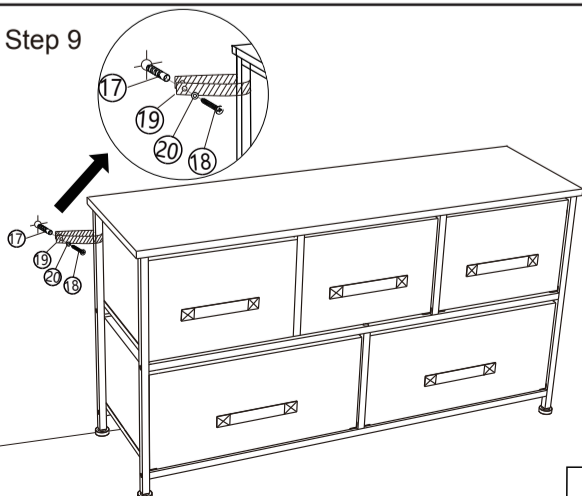
Step 7



Step 8



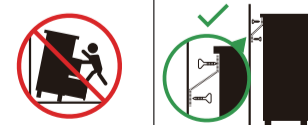
Step 9



User instructions for wall fixing:

- It is strongly recommended that this product is permanently fixed to the wall
 - Please seek professional advice if you are in doubt of what fixing device to use
 - Regularly check that anchors are securely maintained
 - Stability of tall items may be affected by thick pile carpet or uneven floors
 - Do not place unanchored televisions on furniture
- Caution: for your safety when attaching the anchor fixings:
- Check any electrical wires or plumbing inside the wall before drilling any holes (if you are unsure please seek professional advice from a qualified tradesperson)

WARNING



Children have died from furniture tipover.
 • ALWAYS secure it with an anchor device.
 • NEVER allow children to stand, climb or hang on drawers, doors, or shelves.
 • NEVER open more than one drawer at a time.
 • Place heavy items down low.

NEVER put a TV on this furniture

This furniture is at high risk of toppling over

Ask staff for more information or visit <https://www.productsafety.gov.au>