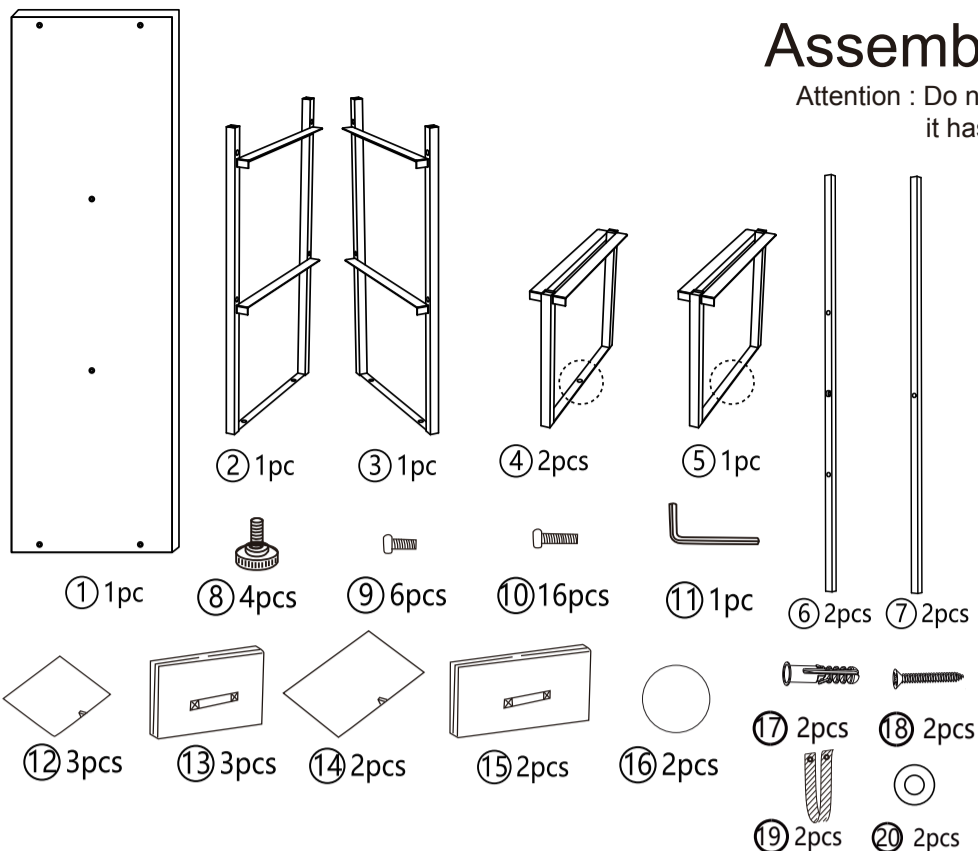
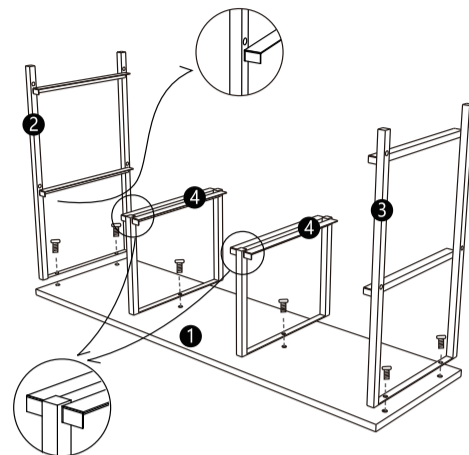


Assembly Instructions

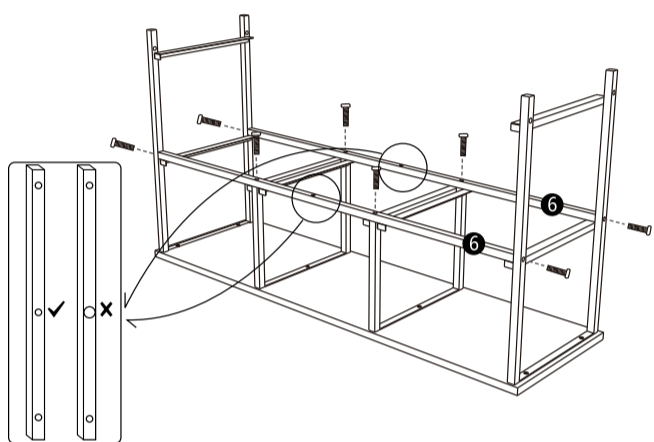
Attention : Do not tighten the screws until it has been fully assembled.



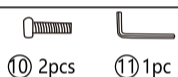
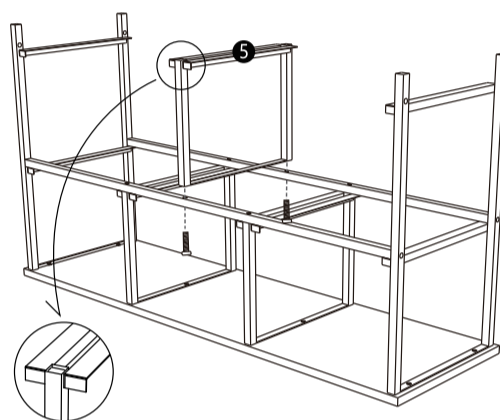
Step 1



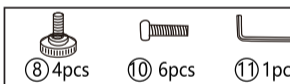
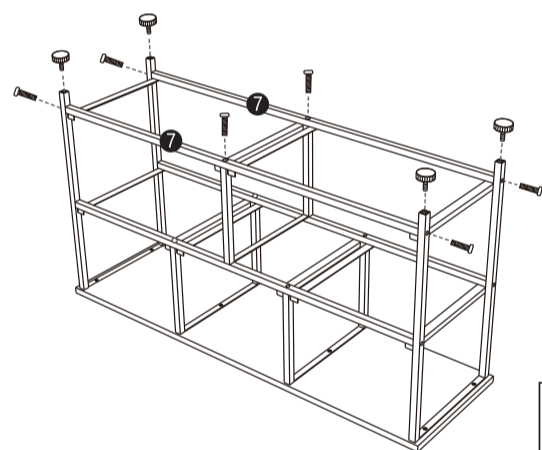
Step 2



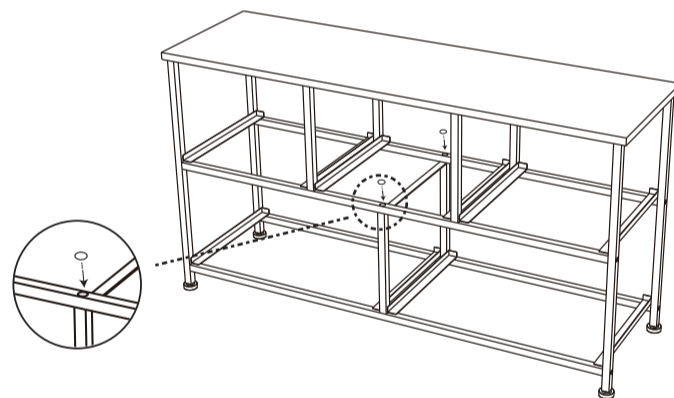
Step 3



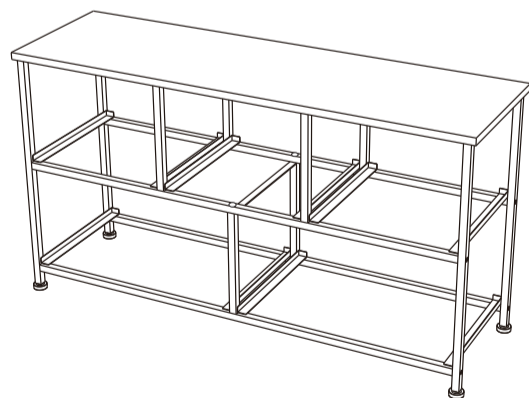
Step 4



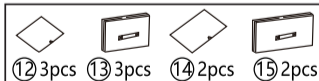
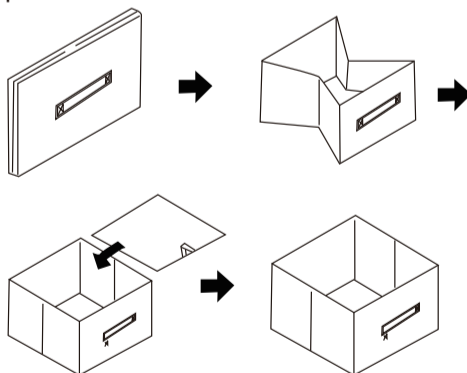
Step 5



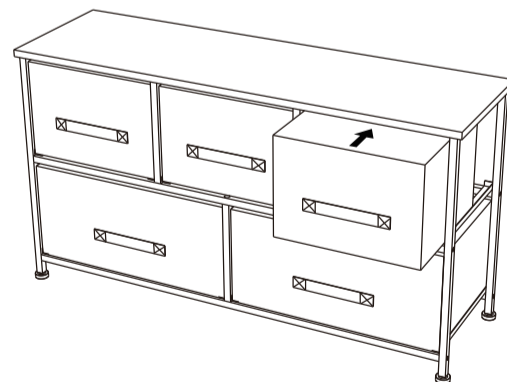
Step 6



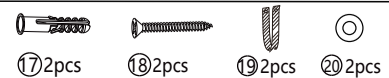
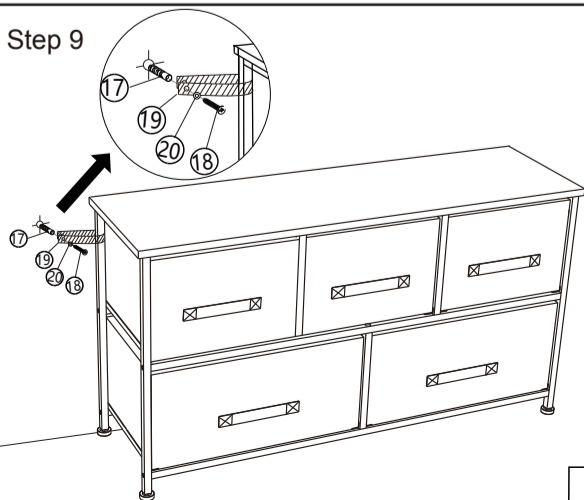
Step 7



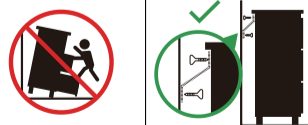
Step 8



Step 9



WARNING



Children have died from furniture tipover.
 • ALWAYS secure it with an anchor device.
 • NEVER allow children to stand, climb or hang on drawers, doors, or shelves.
 • NEVER open more than one drawer at a time.
 • Place heavy items down low.

NEVER put a TV on this furniture

This furniture is at high risk of toppling over

Ask staff for more information or visit <https://www.productsafety.gov.au>

Instruction manual should also state:

- It is strongly recommended that this product is permanently fixed to the wall.
- Please seek professional advice if you are in doubt of what fixing device to use.
- Regularly check that anchors are securely maintained.
- Use safety drawer locks to prevent children climbing.
- Stability of tall items may be affected by thick pile carpet or uneven floors.
- Do not place unanchored televisions on furniture.

Caution: for your safety when attaching the anchor fixings, please note the following:

Check any electrical wires or plumbing inside the wall before drilling any holes (if you are unsure please seek professional advice from a qualified tradesperson)



WARNING: PLEASE SECURE YOUR FURNITURE WITH THE SUPPLIED WALL FIXING. SCAN THE CODE FOR MORE INFORMATION.

