

anko

**Mini Oven
HX-9116
User Manual**



**PLEASE READ AND SAVE THESE
INSTRUCTIONS FOR FUTURE REFERENCE**

IMPORTANT SAFEGUARDS

Read the Important Safeguards carefully before use to ensure correct operation. The precautions described in this manual must be followed to ensure safe use of this appliance and prevent hazards to you and other people, as well as damage to the appliance, your home or property.

WARNING! Indicates actions that may cause minor injury.

IMPORTANT! During first use, it is common to see a small amount of smoke/haze or experience a slight odour. This is normal.

WARNING :

1. To protect against electric shock do not immerse the appliance, power cord, plugs in water or other liquids.
2. Do not disassemble, repair, or modify this appliance.
3. If the supply cord is damaged, it must be replaced by a qualified electrician in order to avoid a hazard, or the product must be disposed of.
4. Do not use the appliance near flammable materials such as curtains.
5. Do not place the appliance on flammable surfaces such as wooden counters, wood flooring or carpet.
6. To avoid the danger of fire, never leave the appliance unattended. And never use appliance near any of flammables, such as curtains, wall cabinet...etc., due to risk of burning and or fire.
7. Do not insert or remove the power plug with wet hands.
8. Do not apply pressure on the power cord. Do not do any of the following, as this may cause the power cord to overheat and catch fire: Scratch, modify, bend, pull, step on, twist or place the cord near heating devices. Do not place heavy items on the cord or use while it is bundled. When unplugging the cord, pull on the plug rather than the cord.
9. The appliance is intended for household use only. Do not use outdoors or for commercial purpose. Any misuse use will void the warranty.
10. This appliance is intended to be used indoors in household and similar applications such as: staff kitchen areas in shops, offices and other working environments, farmhouses, by

clients in hotels, motels and other residential type environments, bed and breakfast type environments.

11. If smoke or fire appears during cooking, do not open the door until the flames go out and do not attempt to extinguish with water. Turn the power off and then unplug the power cord.
12. Do not put any metal or foreign objects into the air inlet.
13. The use of accessory attachments not recommended by the appliance manufacturer may cause injuries or damage to property.
14. Use a mains power outlet socket that meets the appliance rating. Do not plug other electrical devices into the same power outlet socket when using the appliance. If the supply cord plug is not inserted properly, it may cause electric shock or fire due to heat.
15. Clean the power plug regularly. Dust accumulated on the power plug may cause condensation, which can damage the cable and cause a fire. Remove the power plug and wipe it with a dry cloth.
16. Be sure to clean the appliance after use.

CAUTION :

1. Do not touch any parts except the handle or dials during or immediately after operation.
2. Do not cook for longer than necessary.
3. Do not apply excessive force to the glass window or allow it to become wet.
4. Do not cook with the door open.
5. Do not heat canned or bottled food directly.
6. Do not stare at the heater tube for extended periods of time.
7. When taking out food or containers, use tongs or potholders.
8. Wear thick gloves when cleaning.
9. Be sure to turn the power off when removing food from the appliance.
10. Be sure to attach the toasting rack frame.
11. During first use, it is common to see a small amount of smoke or experience a slight odour. This is normal.
12. This appliance does NOT include a convection function, and therefore it is not suitable for baking poultry or meat. Use this appliance for warming ingredients within the designated 15 minutes time frame.

13. After cooking or when the appliance is not in use, unplug the power cord from the outlet.
14. Be sure to unplug the appliance from the mains power outlet socket and allow the appliance to cool completely before cleaning.
15. When cleaning, be careful of the fragile quartz tube. A broken quartz tube may result in electric shock or other injury.
16. There is no ON/OFF button on the Mini Oven. To turn the appliance on, simply plug in the appliance and set the appropriated time. To turn off, set the timer dial to the “OFF” position or simply unplug the appliance.
17. Do not place the appliance on top of other equipment, such as a microwave oven, or place other equipment on top.

CAUTION: For electrical safety, never use the appliance if the supply cord is damaged. It must be replaced by a qualified electrical person only or the appliance must be disposed.

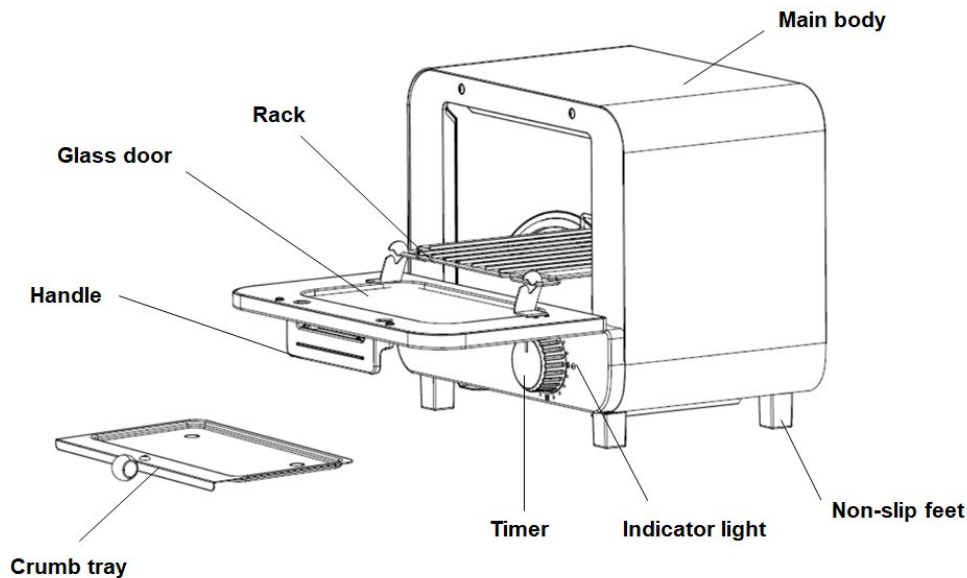
18. The appliance is not intended for use by persons (including children) with reduced physical, sensory or mental capabilities, or lack of experience and knowledge, unless they have been given supervision or instructions concerning the use of the appliance by a person responsible for their safety.
19. Children should be supervised to ensure that they do not play with the appliance.

20.  **CAUTION: hot surface. Care must be taken. The surfaces are liable to get hot during use.**

21. The temperature of accessible surfaces may be high when the appliance is operating and immediately after use.
22. For the details on how to clean surfaces in contact with food, please refer to section “CLEANING AND MAINTENANCE” section.
23. This appliance is not intended to be operated by means of an external timer or separate remote-control system.

**SAVE THESE INSTRUCTIONS
FOR HOUSEHOLD USE ONLY**

PARTS DESCRIPTION



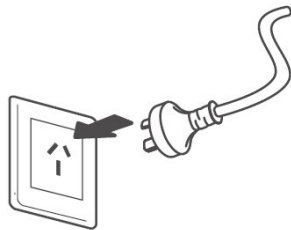
HOW TO USE



CAUTION: THE OVEN SURFACES ARE HOT DURING AND IMMEDIATELY AFTER USE

Wear protective, insulated oven gloves when touching hot surfaces or hot dishes and food, or when inserting or removing the rack, pans or baking dishes.

1. Place the appliance on a stable, flat, heat-resistant surface. Turn the Time knob to OFF. Insert the power cord plug into a mains power outlet socket and make sure it is inserted tightly.



2. Place food on the Rack inside the Mini Oven. Close the Glass door. Ensure your toast is at least 1/2 inch away from the heating elements within the oven; failure to do so may cause your toast to burn.
3. Turn the Timer to the appropriate setting. Once you have set the time, the Indicator Light will illuminate.

NOTE: To set the Timer for less than 5 minutes, turn the Timer past 5 minutes, then turn it back

to the desired cooking time.

4. When the cooking time has elapsed, the oven will ring. Use oven mitts to remove the food from the oven as the appliance and food will be hot.

Toasting Time reference

The toasting time is a guideline. Actual cooking times may vary depending on your food.

FOOD	Defrost	Bread	Toast
Time	8-10min	5-6min	2-3min

NOTE: Be careful not to set the dial over 4 minutes when making toast, as this may result in burnt toast and/or smoke.

IMPORTANT! To avoid the appliance from overheating, allow it to rest for at least 15 minutes before using it again.

WARNING!

DO NOT toast/food with extremely runny ingredients such as butter, jam and other food products with sugary ingredients. Adding any food substances can cause an electric shock and / or fire.

CLEANING AND MAINTENANCE

Clean the appliance after every use.

Before cleaning, unplug the power cord and allow the main unit to cool sufficiently.

- Use thick gloves to protect your hands.
 - Do not use a dishwasher to wash the accessories. This can cause warping, changing colour, and corrosion.
- Cleaning the crumb tray
1. Remove the crumb tray below the oven.
 2. Wash with diluted mild dish soap and dry thoroughly.
- Be sure to clean the crumb tray after each use.
- Cleaning the inside and outside of the appliance
- Soak a soft cloth in diluted mild dish soap and wring it out well. Wipe the appliance and dry it thoroughly.
- Be careful not to touch the heater tube. Doing so may cause it to break. If the heater tube is dirty, do not wipe it.
 - Food residue inside the appliance may cause uneven cooking.
 - Do not pour water directly on the appliance, as doing so may cause electric shock. Clean it only with a well wrung-out cloth.
 - To prevent damage to the product, use a soft cloth to clean.

- Using other substances besides mild dish soap may cause malfunction.

Always dry the Mini Oven thoroughly.

It is highly recommended that you clean and dry the Rack and Tray by hand, after each use.

PRODUCT SPECIFICATION

Power supply	220-240V~ 50-60Hz
Rated power	550W
Timer	1 to15 mins
Purpose	Household indoor use only. Not designed for commercial use.

12 MONTH WARRANTY

Thank you for your purchase.

Your new product is warrantied to be free from defects in materials and workmanship for the period stated above, from the date of purchase, provided that the product is used in accordance with accompanying recommendations or instructions where provided. This warranty is in addition to your rights under the Australian Consumer Law.

For New Zealand customers, this warranty is in addition to statutory rights observed under New Zealand legislation.

We will provide you with your choice of a refund, repair (where possible) or exchange (availability dependent) for this product if it becomes defective within the warranty period. The business will bear the reasonable expense of claiming the warranty.

This warranty will no longer apply where the defect is a result of alteration, accident, misuse, abuse or neglect.

Please retain your receipt as proof of purchase and contact our Customer Service Centre as listed below, for the entity you purchased this product from, for any difficulties with your product. Warranty claims and claims for expense incurred in returning this product can be addressed to the respective Customer Service Centre.

Our goods come with guarantees that cannot be excluded under the Australian Consumer Law. You are entitled to a replacement or refund for a major failure and compensation for any other reasonably foreseeable loss or damage. You are also entitled to have the goods repaired or replaced if the goods fail to be of acceptable quality and the failure does not amount to a major failure.

Contact for Kmart purchases	Contact for Target purchases
Kmart Australia Ltd. C/- Customer Service Centre 690 Springvale Road, Mulgrave Vic 3170 Customer Service: 1800 124 125 (Australia) or 0800 945 995 (New Zealand) or via Customer Help at kmart.com.au	Target Australia Pty Ltd C/- Customer Service Centre 2 Kendall Street, Williams Landing, Vic, 3027 Customer Service: 1300 753 567 or via Customer Help at target.com.au/help/contact-us