

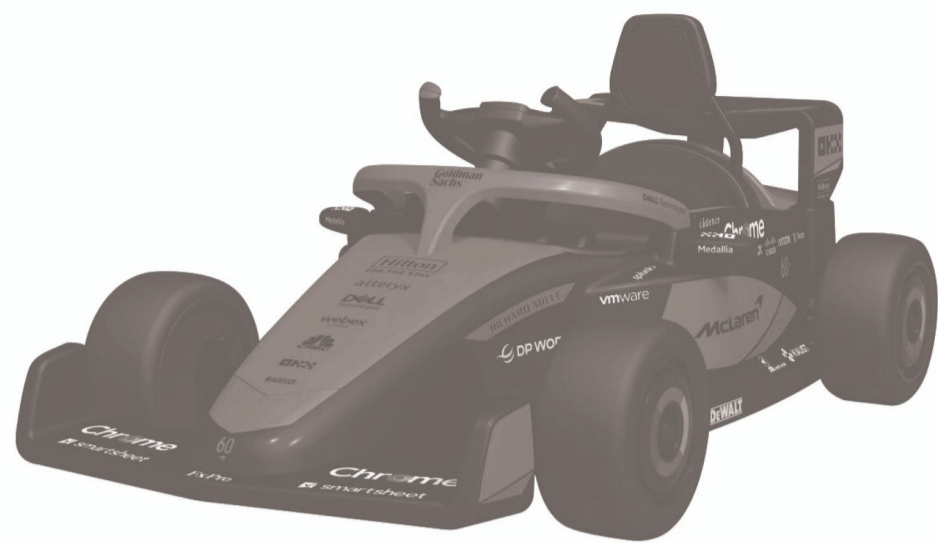
3-5
years

Mclaren

FORMULA 1 TEAM

ELECTRIC RIDE ON

Installation & Operation Manual

**CAUTION:**

- This package contains small parts
- Adult assembly required
- Remove all plastic bags and package ties prior to giving to children
- Protective equipment recommended
- Not to be used in traffic
- Keep instructions for future reference

WARNING**ADULT ASSEMBLY
REQUIRED.**

MANUFACTURED UNDER LICENSE FROM MCLAREN RACING LIMITED
'MCLAREN' IS A TRADEMARK OF MCLAREN SERVICES LIMITED.

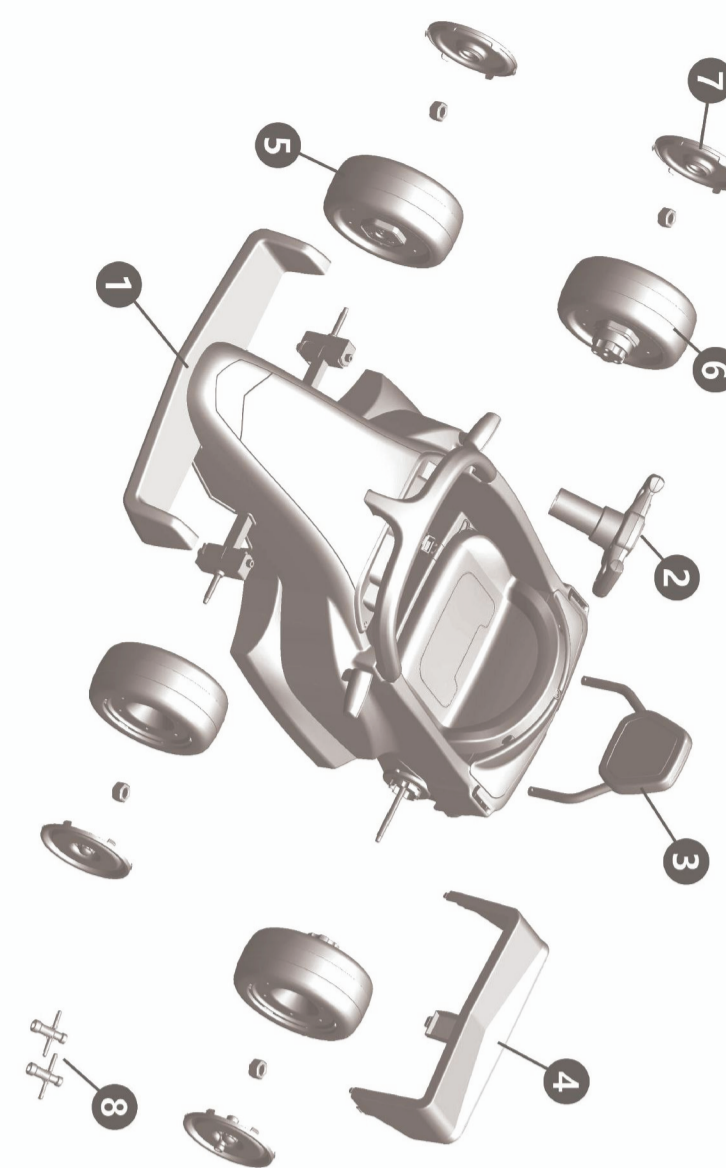
I.SPECIFICATION.

Suitable Ages	3-5 years
Product Dimensions	115X67X50cm
Maximum Weight	30 kgs
Speed	3-5km/h
Motor	30W
Charger	15V0.8A
Battery	12V4.5AH
Steering Wheel Batteries	2XAA Size(not included)
Operating Ambient Temperature	0-40°C

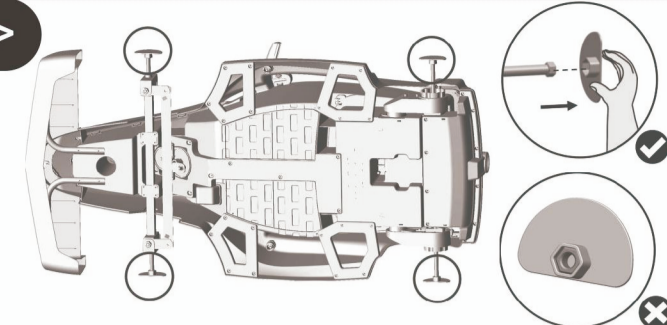
II.Components List.

1.Body 1pc 	2.Steering wheel 1pc 	3.Backrest 1pc
4.Rear wing 1pc 	5.Front wheel 2pcs 	6.Rear wheel 2pcs
7.Wheel cap 4pcs 	8.Tool 2pcs 	9.Charger 1pc

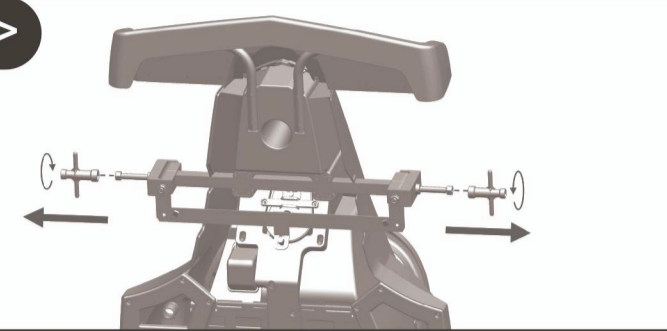
2



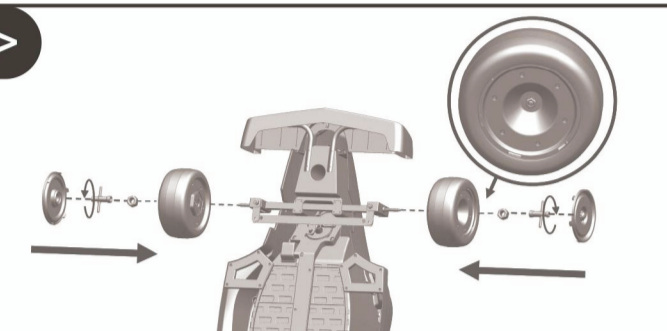
3

III.Assembly Instructions.**< Step 1 >**

1.Take out the protective sleeves,make sure the nuts stay in the axle.

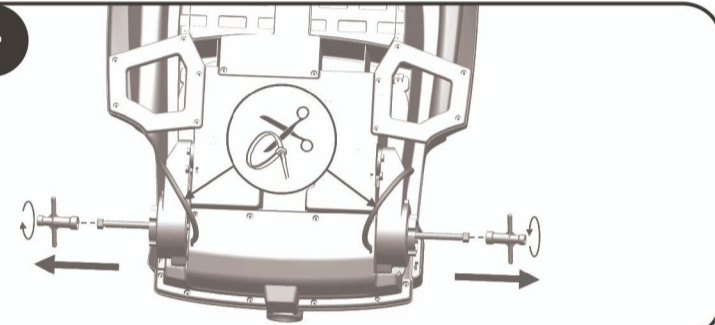
< Step 2 >

2.Release the two nuts with the tools provided.

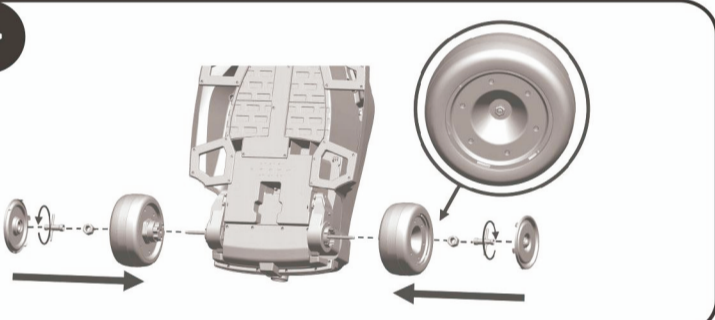
< Step 3 >

3.Insert the two front wheels first and tighten two nuts by the tools provided,then cover the wheel caps.

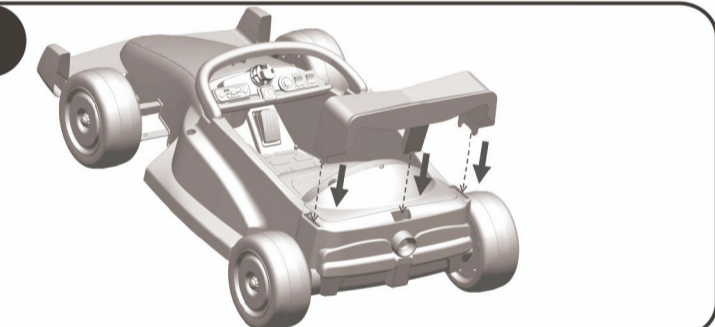
4

< Step 4 >

4.Cut the ties first,then release the two nuts with the tools provided.

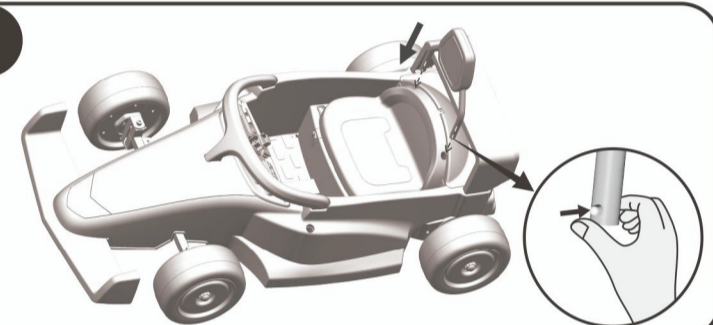
< Step 5 >

5.Insert the two rear wheels and tighten two nuts by the tools provided,then cover the wheel caps.

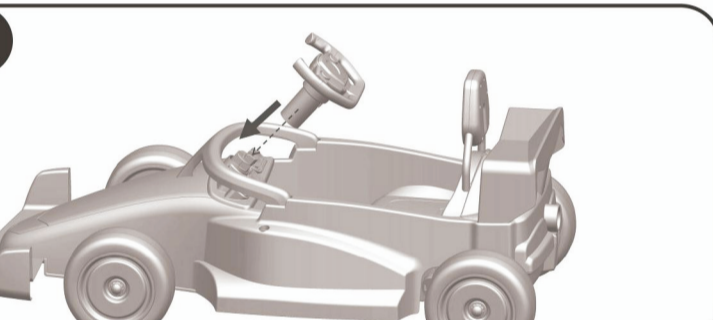
< Step 6 >

6.Place the rear wing into the position of the body.

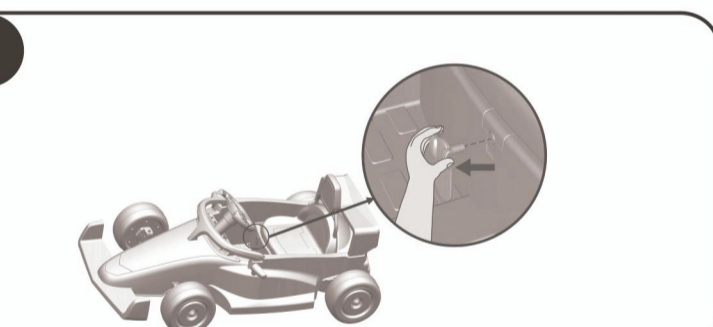
5

< Step 7 >

7.Place the backrest into the position of the body.

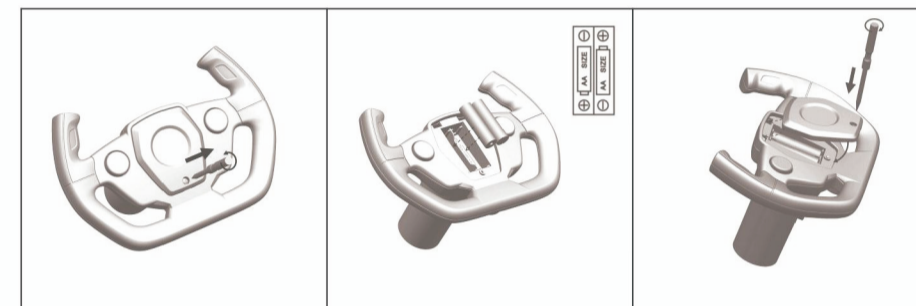
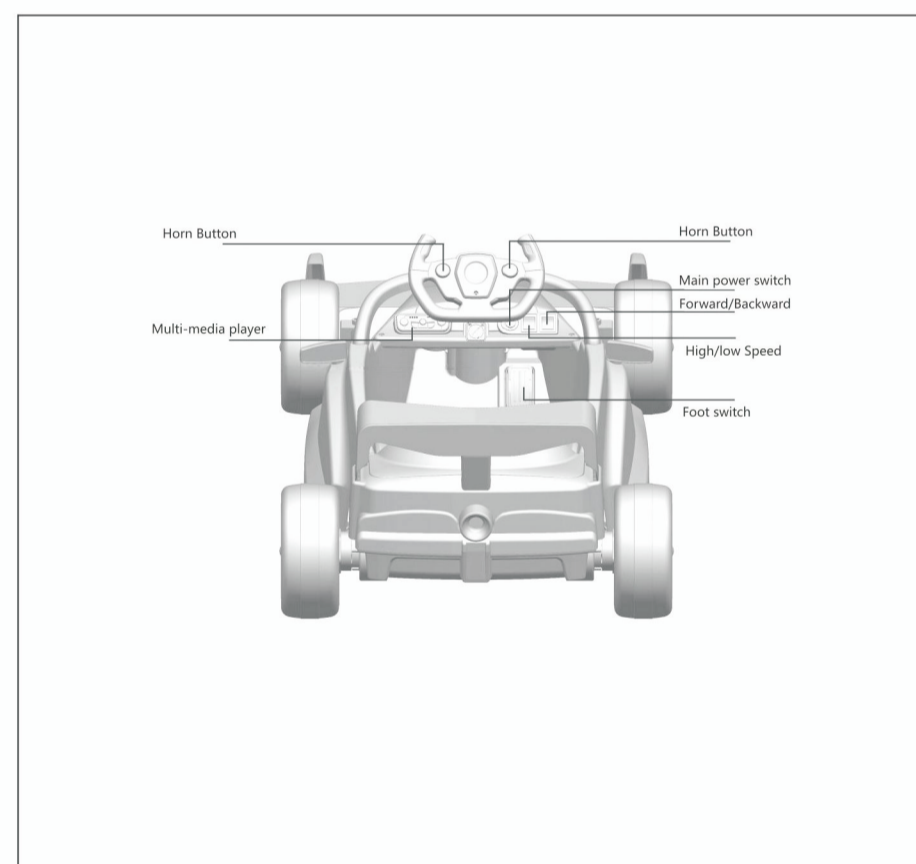
< Step 8 >

8.Press the button and insert the steering wheel.

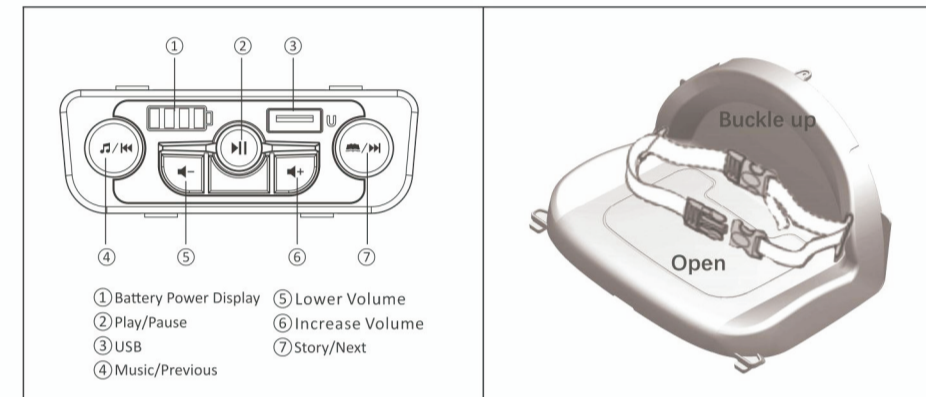
< Step 9 >

9.Power on by pulling the key out.

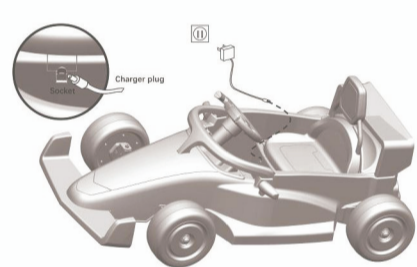
6

IV.BATTERY CHANGE.**V.Function and Operation.**

7

**VI.Charging the Drive Battery.**

1. The charging socket is located at the lower part of the car seat.
2. Only battery and charger which are provided or recommended can be used only.
3. Please do not play with the charger and battery because they are not toys.
4. The battery charging operation is to be carried out only by adults.
5. The battery shall be fully charged before first use, the battery charging time shall be 9-10 hours and can not exceed 15 hours.
6. It is normal for battery and charger to feel warm during charging.

**VII.Simple Problem Diagnostic.**

Defective conditions	Key points of inspection
1. The car can not be driven.	1) Check the power switch, all plugs of the control plate under the seat, and the battery terminal line are properly inserted. 2) Ensure the over current protector, when the car is over loaded or blocked, the over current protector automatically disconnects the circuit to protect the motor and controlling IC board. 3) Check whether the car has been stored for a long time and its battery is not charged on time.
2. Music sound is distorted or silent	Check whether the battery has enough power, otherwise charge fully.

8

VIII.WARNING.**1.Battery warning:**

- 1) When storing the car for a long period of time, charge the battery until full then turn off the power switch. The battery should be recharged once every other month, or may otherwise have a shorter life span and risk deteriorating.
- 2) When installing the battery, it is important that the positive and negative poles are correctly connected. Short circuiting of positive and negative poles may result in damaging the toy.

Battery warning:

- 1) Product needs to be operated with two DC 1.5V AA batteries (not included).
- 2) Battery charging is recommended only to be done by adults.
- 3) Rechargeable batteries charging operation can be carried out only by adults.
- 4) Non-rechargeable batteries cannot be charged.
- 5) The rechargeable batteries can be charged only after being taken out from the remote control battery compartment.
- 6) Please do not mix different types of batteries or used batteries and new batteries.
- 7) If product will be stored for a long time, it is recommended to remove batteries from battery compartment.
- 8) Over used batteries should be removed from toy.
- 9) Batteries are to be inserted with the correct polarity (+ and -).
- 10) The supply terminals are not to be short-circuited.
- 11) Battery installation by an adult is required.
- 12) Dispose of batteries responsibly. Do not dispose of in fire.

2. Product warning:

- 1) There may be potential sharp edges, sharp points or small parts before the assembly of this product, and therefore this product shall be assembled by an adult.
- 2) To avoid suffocation, keep the plastic bag away from children. Dispose of all bags immediately.
- 3) Children shall use the car under adult guidance and supervision to prevent risk of injury.
- 4) The car is suitable for driving on flat ground and is strictly prohibited to be driven in dangerous places such as public roads, slopes and near swimming pools to prevent traffic and drowning accidents.
- 5) Please put on shoes and take protective measures before use, such as fastening the safety belt and putting on the helmet, gloves, knee pads, etc.
- 6) Not suitable for children under 36 months as parts may fall off when used improperly.
- 7) Regularly check whether the battery, charger, wire, plug, casing and other parts are damaged; if the damage occurs, please cease to use this product until it has been repaired.
- 8) This product is only allowed to be used by one child; the maximum load is 30kg, overload is not allowed.
- 9) Keep away from fire.
- 10) The product instructions shall be kept as they contain important information.

9

3. WARNING:**WARNING**

Adult supervision required to reduce the risk of injury;
Strictly forbidden to use on roadways, near motor vehicles, slopes or swimming pools and areas where there is water;
Please wear shoes when operating vehicle;
Can only be used by one person at a time;
Keep away from children before assembled as there may be sharp edges points or small parts.
Adult assembly required.
A reminder that the toy should be used with caution since skill is required to avoid falls or collisions causing injury to the user or third parties.

WARNING

Do not mix alkaline battery, standard (carbon-zinc) battery or rechargeable (nickel-cadmium) battery.

WARNING

Protective equipment should be worn. Not to be used in traffic.

WARNING

This product is not suitable for children under 3 years of age due to its maximum speed.

IX. Care and Maintenance

- 1) Regularly wipe and clean it with a piece of cloth.
- 2) The rotating parts of the car should be checked regularly to determine whether any foreign matter obstructs the rotation and to keep lubricating state of normal operation.

Manufactured under license by
INITIATE
PLAN B
DREAM TO INNOVATE

PLAN B INTERNATIONAL HONG KONG LTD
Suite 1505, 15th Floor, Chinaachen Golden Plaza,
77 Mody Rd, Tsimshatsui East, Kowloon, Hong Kong.

10