

Assembly Instructions

43471386 ATLAS BEDSIDE TABLE




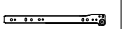
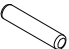













WARNING: DO NOT STAND, SIT OR LEAN ON THIS UNIT. DO NOT USE THIS UNIT AS A STEP LADDER OR AS A CHOPPING SURFACE. KEEP AWAY FROM CHILDREN AND BABIES. ADULT ASSEMBLY REQUIRED. USE ONLY ON A FLAT SURFACE. DO NOT USE THIS UNIT UNLESS ALL BOLTS AND SCREWS ARE FIRMLY SECURED.

CARE INSTRUCTIONS: TO BE ASSEMBLED ON A CLEAN, DRY AND SMOOTH SURFACE. WIPE CLEAN WITH A SOFT DAMP CLOTH. NEVER USE SCOURERS, ABRASIVES OR CHEMICAL SOLVENTS. CHECK AND TIGHTEN ALL PARTS REGULARLY. KEEP AWAY FROM MOISTURE AND DIRECT SUNLIGHT. STORE IN A DRY PLACE. FOR INDOOR AND DOMESTIC USE ONLY.

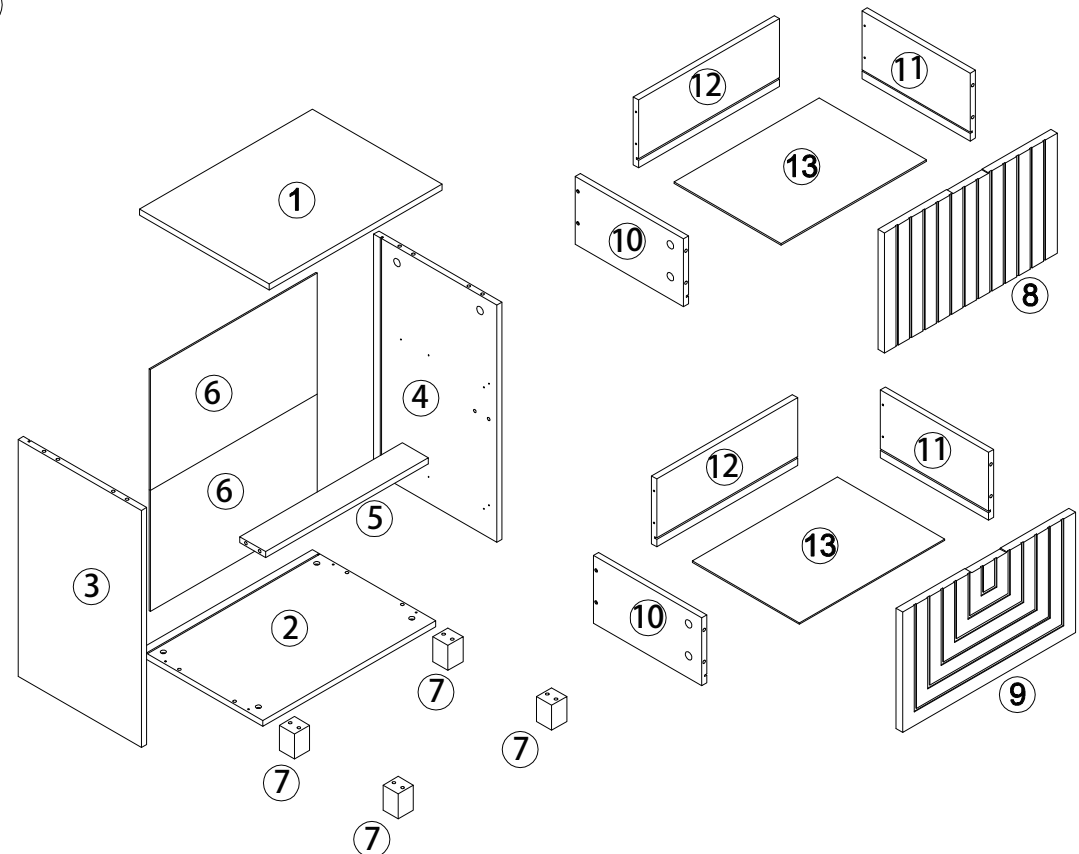
MAXIMUM SAFE LOAD: 10KG FOR TOP PANEL, 5KGS FOR EACH DRAWER.

①

Hardware List

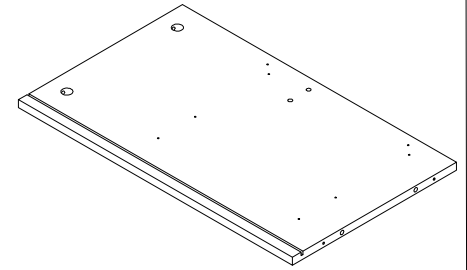
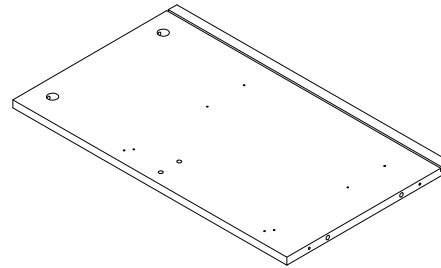
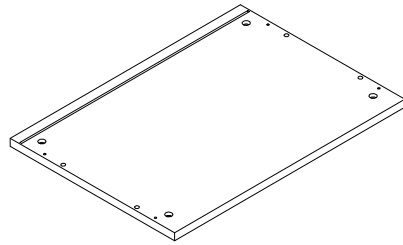
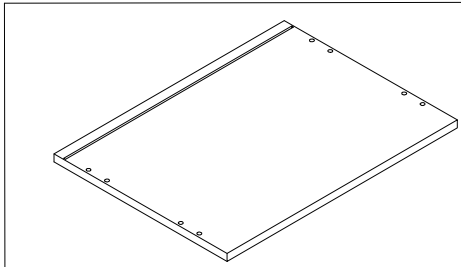
	A	M6x35mm	14pcs		CL		2pcs
	B	Ø15x9mm	14pcs		CR		2pcs
	C	Ø6x30mm	10pcs		DL		2pcs
	D	M4x35mm	12pcs		DR		2pcs
	E		2pcs				
	F	M3.5x12mm	4pcs				
	G	M7x40mm	4pcs				
	H	M8x30mm	4pcs				
	I		1pc				
	J		4pcs				
	K	M3x16mm	4pcs				
	L	M3x12mm	28pcs				
	N		1pc				
	O		1pc				

②



Do not tighten the screws fully during assembly. Fully tighten screws after the final assembly steps.

3

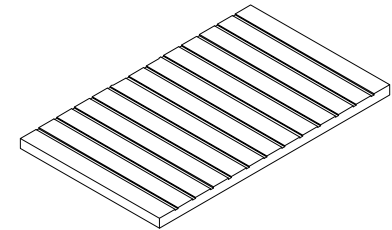
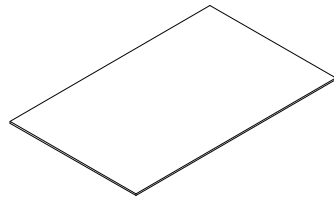
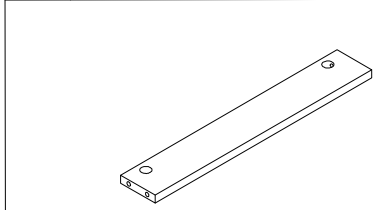


1 1PC

2 1PC

3 1PC

4 1PC

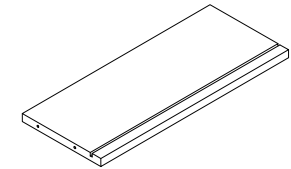
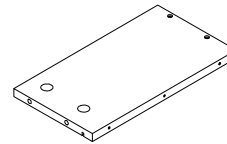
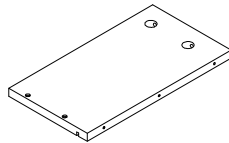
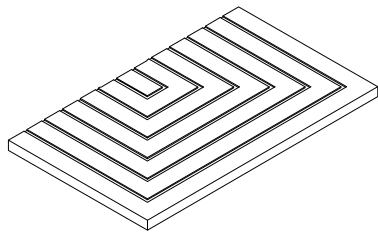


5 1PC

6 2PCS

7 4PCS

8 1PC

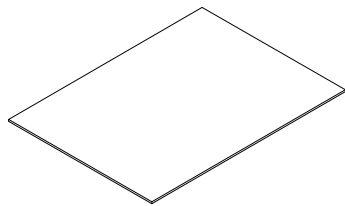


9 1PC

10 2PCS

11 2PCS

12 2PCS

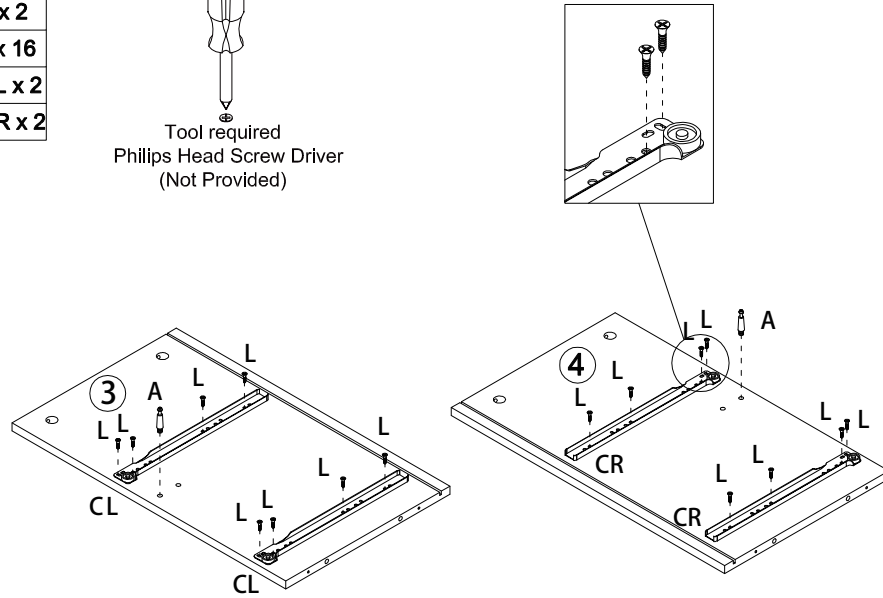


13 2PCS

STEP 1:

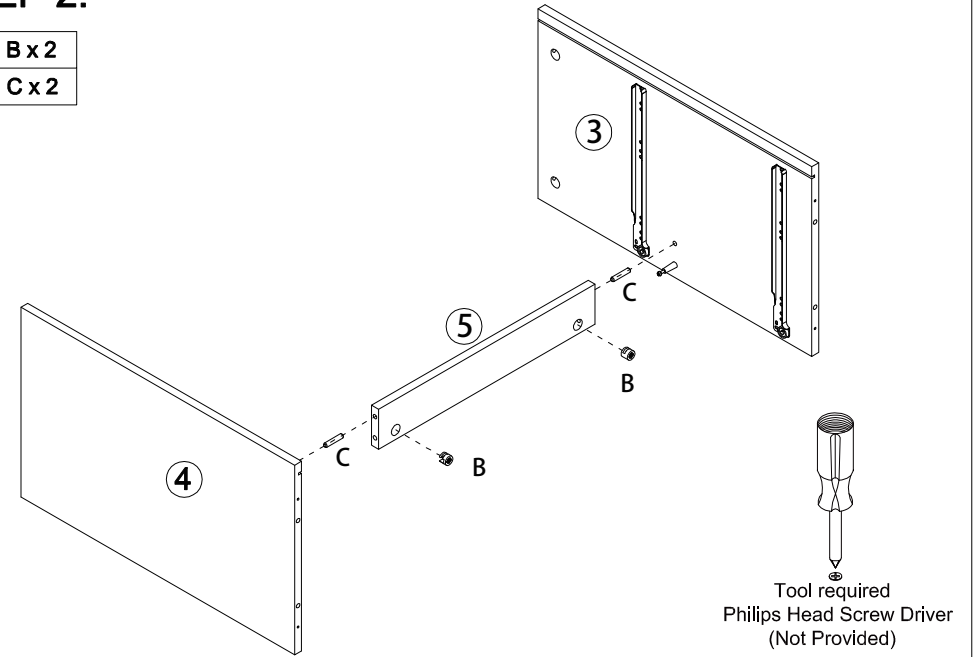
- A x 2
- L x 16
- CL x 2
- CR x 2

Tool required
Philips Head Screw Driver
(Not Provided)



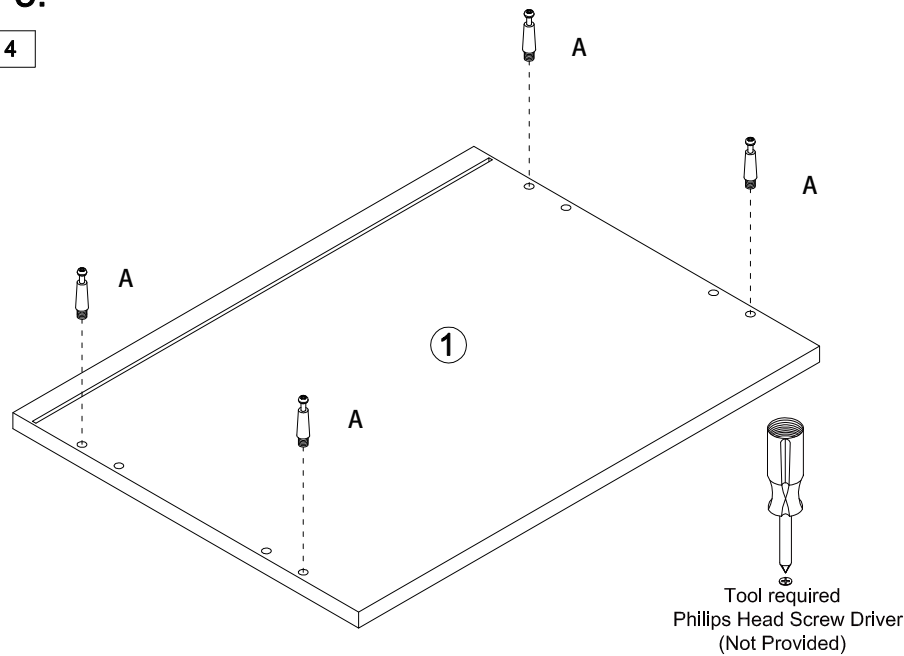
STEP 2:

- B x 2
- C x 2



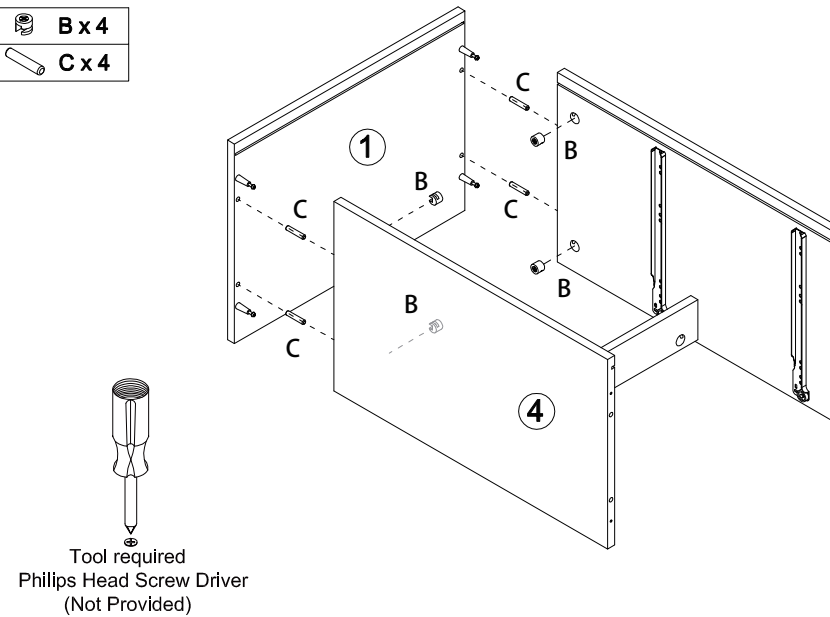
STEP 3:

- A x 4

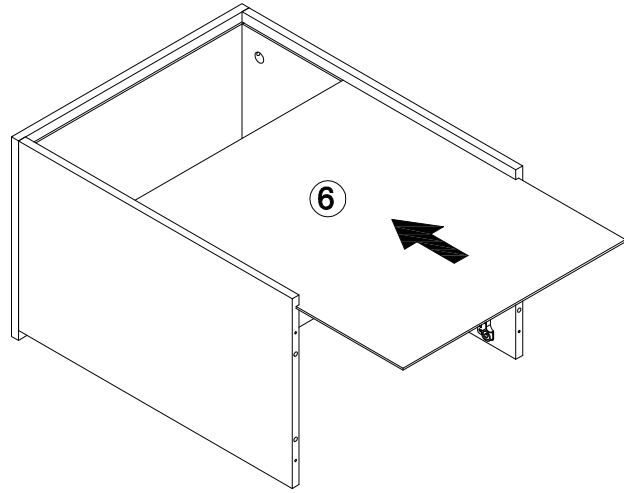


STEP 4:

- B x 4
- C x 4

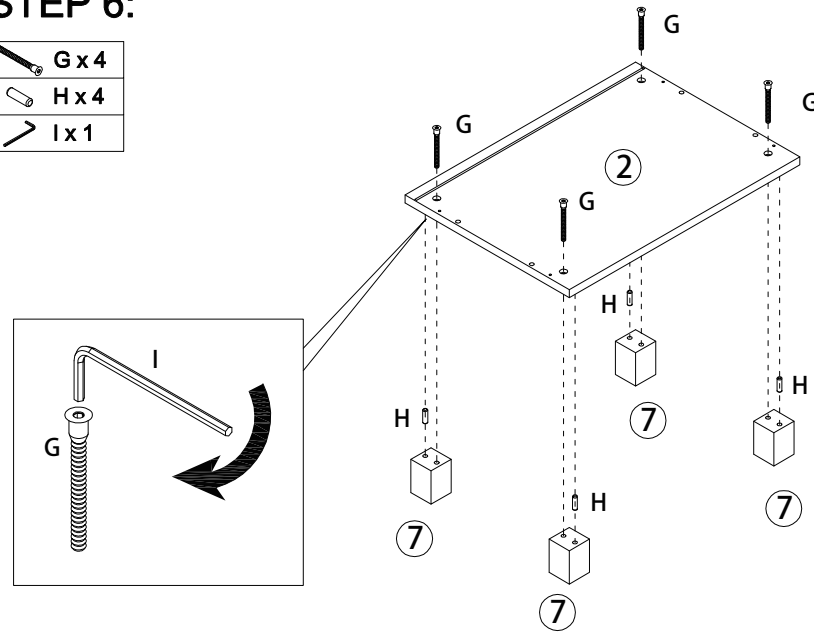


STEP 5:



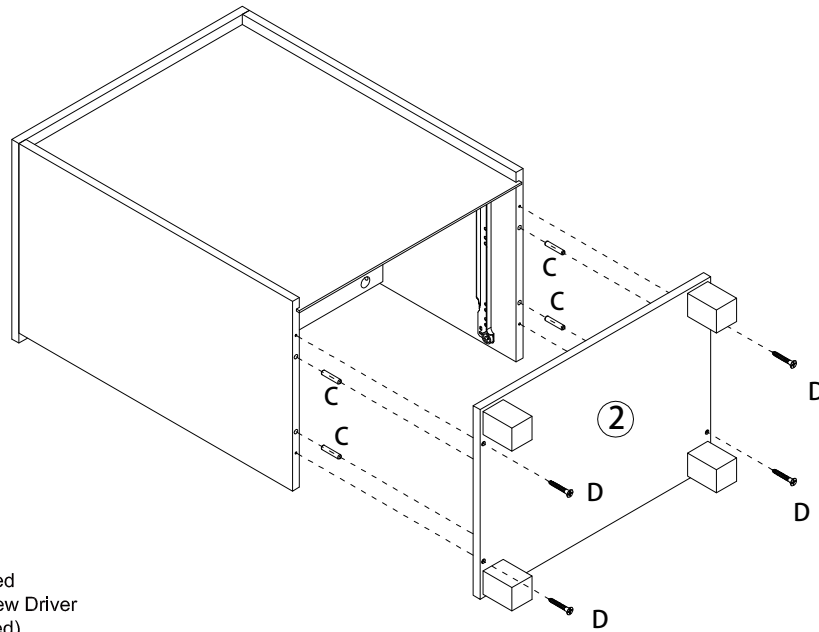
STEP 6:

- G x 4
- H x 4
- I x 1



STEP 7:

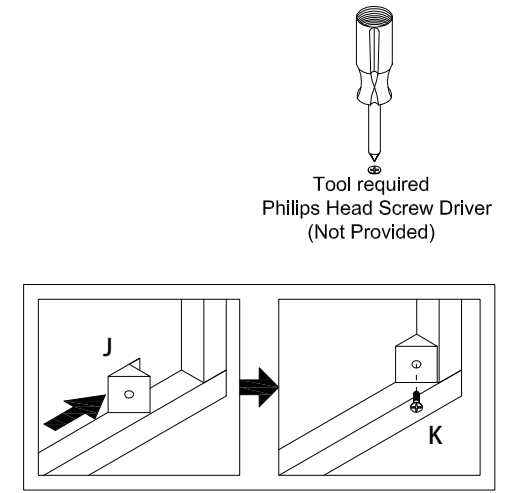
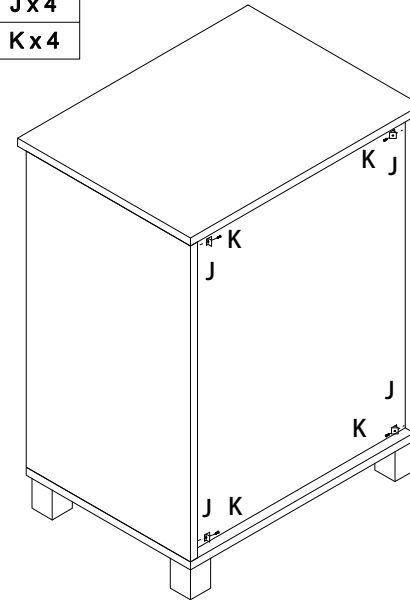
- C x 4
- D x 4



Tool required
Philips Head Screw Driver
(Not Provided)

STEP 8:

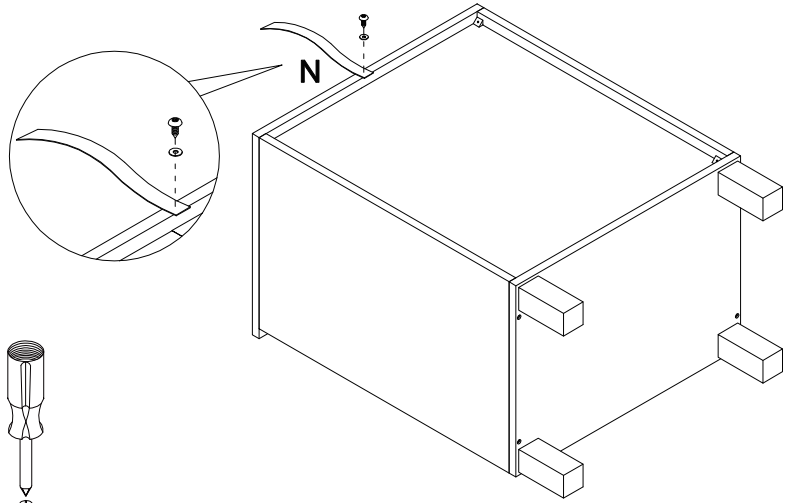
- J x 4
- K x 4



Tool required
Philips Head Screw Driver
(Not Provided)

STEP 9:

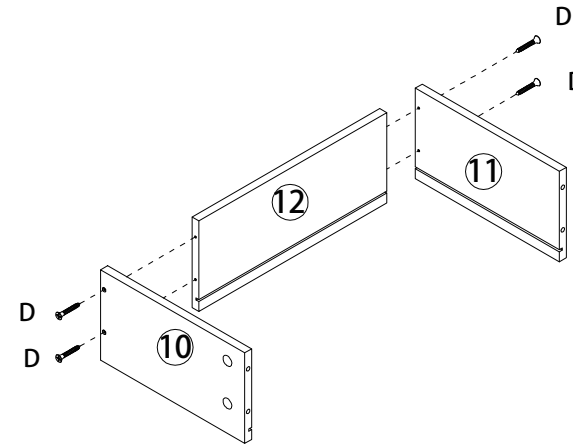
N x 1



Tool required
Philips Head Screw Driver
(Not Provided)

STEP 10:

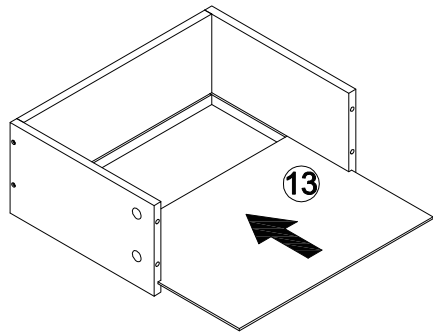
D x 8



x 2

Tool required
Philips Head Screw Driver
(Not Provided)

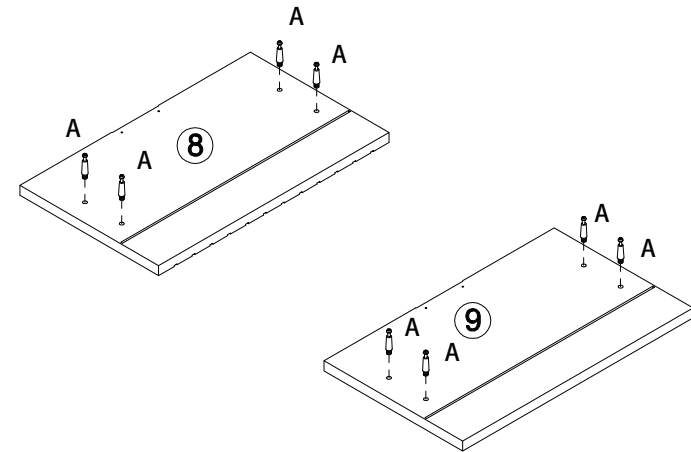
STEP 11:



x 2

STEP 12:

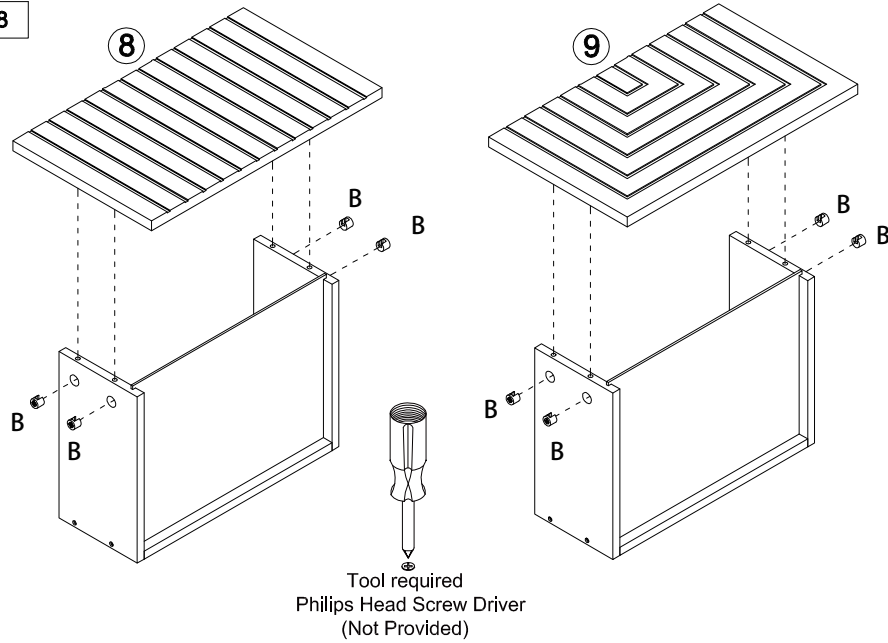
A x 8





Tool required
Philips Head Screw Driver
(Not Provided)

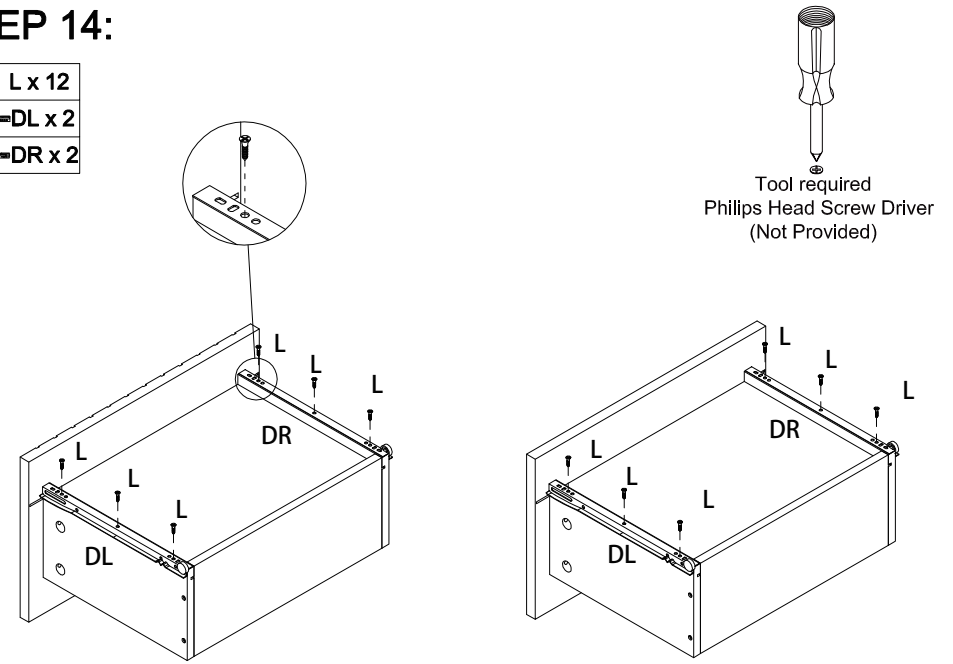
STEP 13:

 B x 8



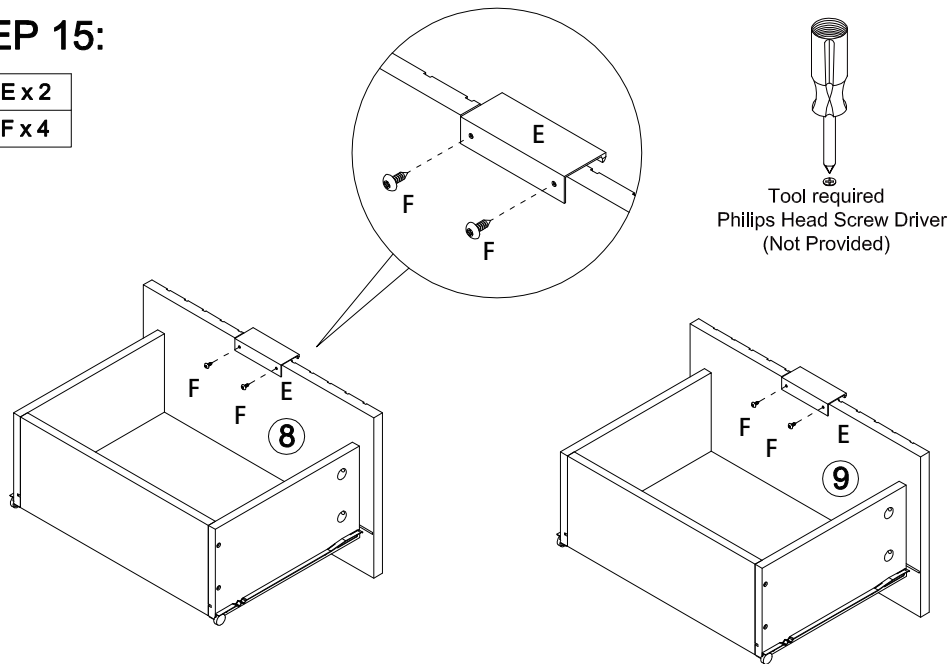
STEP 14:

 L x 12
 DL x 2
 DR x 2

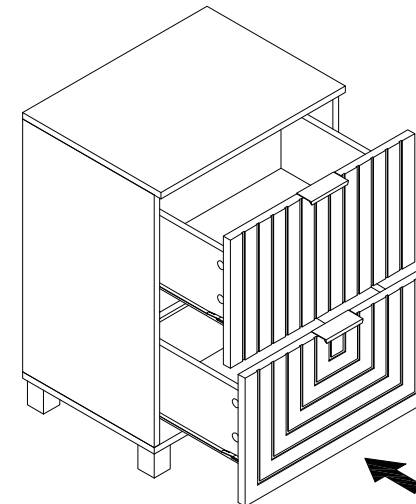


STEP 15:

 E x 2
 F x 4

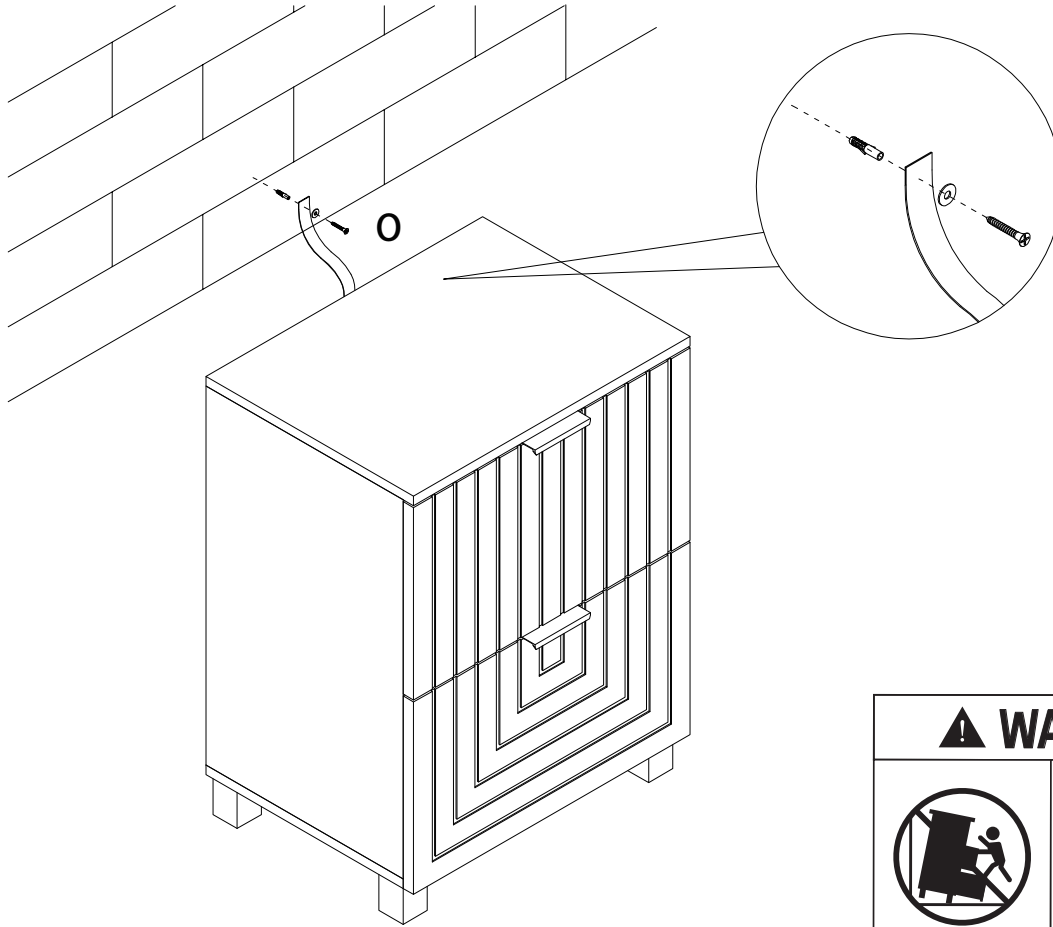


STEP 16:


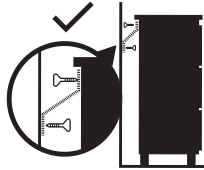



STEP 17:

 0 x 1



Tool required
Philips Head Screw Driver
(Not Provided)

⚠ WARNING	
	
<p>Children have died from furniture tipover.</p> <ul style="list-style-type: none">• ALWAYS secure it with an anchor device.• NEVER allow children to stand, climb or hang on drawers, doors, or shelves.• NEVER open more than one drawer at a time.• Place heavy items down low.• Furniture type is at risk of toppling over.	
<p>NEVER put a TV on this furniture </p> <p>This is a permanent label. Do not remove!</p>	

TOPPLING FURNITURE WARNING:

- It is strongly recommended that this product is permanently fixed to the wall.
- Please seek professional advice if you are in doubt of what fixing device to use.
- Regularly check that anchors are securely maintained.
- Use safety drawer locks to prevent children climbing.
- Stability of tall items may be affected by thick pile carpet or uneven floors .
- Do not place unanchored televisions on furniture .

CAUTION: for your safety when attaching the anchor fixings, please note the following:

- Check any electrical wires or plumbing inside the wall before drilling any holes (if you are unsure please seek professional advice from a qualified tradesperson).



WARNING: PLEASE SECURE YOUR FURNITURE WITH THE SUPPLIED WALL FIXING. SCAN THE CODE FOR MORE INFORMATION.

