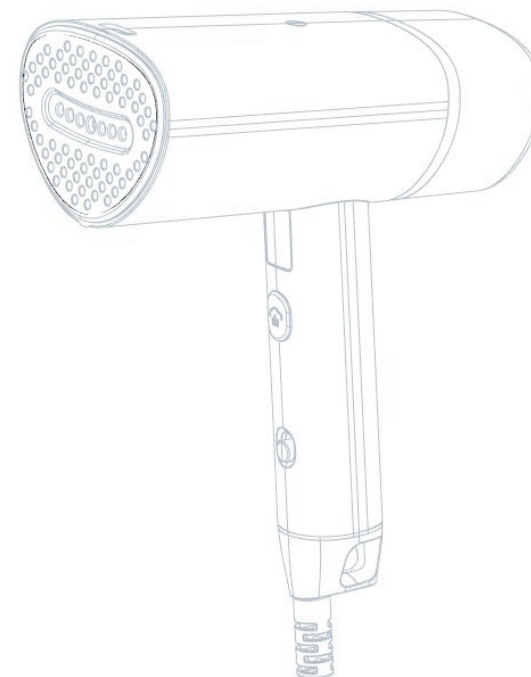


anko

Garment Steamer User Manual



Model no.: KBSC-211

IMPORTANT SAFETY INSTRUCTIONS

Read this user manual carefully before first use and save it for future reference.

- This appliance is not intended for use by persons (including children) with reduced physical, sensory or mental capabilities or lack of experience and knowledge, unless they have been given supervision or instructions concerning use of the appliance by a person responsible for their safety.
- Children should be supervised to ensure that they do not play with the appliance.
- Cleaning and user maintenance shall not be made by children without adult supervision.
- This product has been designed for domestic use only. In case of any commercial use, inappropriate use or failure to comply with the instructions, the manufacturer is not responsible, and the product guarantee will not apply.
- Before connecting your appliance, check if the mains voltage is the same as the voltage indicated on your appliance and that the power outlet has an earth connection. If unsure check with an electrician.
- Ensure before each use that the supply cord or any other parts are not damaged.
- Keep the steamer and its cord out of reach of children when connected to mains power or cooling down.
- **DO NOT use the steamer if it has been dropped, if there are visible signs of damage, malfunction or if it is leaking water.**
- Always make sure the appliance is switched off, unplugged and cooled down before cleaning.

IMPORTANT! This steamer must not be left unattended while it is connected to mains power and before it has cooled down. The steam nozzle on the steamer can become extremely hot and may cause burns if touched.

- Do not unplug the appliance by pulling on the cord or on the appliance. Always pull on the cord plug.
- Never immerse the steamer, the power cord or the cord plug in water. Never hold them under a water tap.
- Do not add hot water or other corrosive cleaning agents into the water tank, doing so may damage the appliance. Use Demineralized or distilled water is strongly recommended.
- Do not allow the supply cord to come in contact with the stem nozzle when the steamer is hot.
- If the supply cord is damaged, it must be replaced by qualified electrical person in order to avoid a hazard or the product must be disposed of.
- The garment steamer must be rested on a flat, stable surface.

CAUTION! Severe scalding can occur if the user touches the steam nozzle or steam during use. Do not place/use the appliance upside-down.

- Care should be taken when using the appliance due to hot steam. To prevent hazards caused by high-temperature steam, do not direct steam at people or animals when using the appliance.
- **IMPORTANT! to avoid damage to the appliance do not operate the appliance when it runs out of water.**
- Steam only in a vertical motion. Never use the steamer horizontally or tilted backwards, as it may result in hot water discharge.
- Before storage, wait till the appliance cools down completely and wind the power cord.
- Only use accessories provided by the manufacturer. The use of any accessory or attachment other than those provided by the manufacturer may result in fire, electric shock or irreversible damage to the appliance.
- **IMPORTANT! Unplug the appliance from mains power during filling water and cleaning.**
- For additional electrical protection, this appliance should be connected to a household residual current device (safety switch) with a rating of no more than 30mA. If unsure consult an electrician for advice.
- For cleaning and descaling of the appliance, refer to "Cleaning and maintenance" section below.
- For filling, refer to "FILLING THE WATER TANK" section below.

**SAVE THESE INSTRUCTIONS
FOR HOUSEHOLD USE ONLY**

TECHNICAL DATA

Rated voltage: 220-240V~ 50-60Hz
Rate power: 1120-1330W

12 Month Warranty

Thank you for your purchase.

Your new product is warranted to be free from defects in materials and workmanship for the period stated above, from the date of purchase, provided that the product is used in accordance with accompanying recommendations or instructions where provided. This warranty is in addition to your rights under the Australian Consumer Law. For New Zealand customers, this warranty is in addition to statutory rights observed under New Zealand legislation.

We will provide you with your choice of a refund, repair (where possible) or exchange (availability dependent) for this product if it becomes defective within the warranty period. The business will bear the reasonable expense of claiming the warranty.

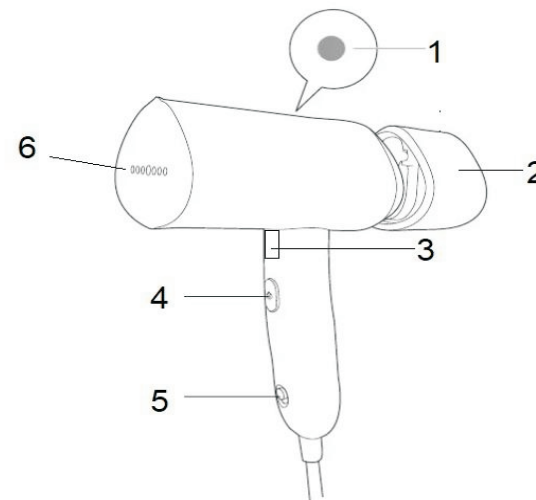
This warranty will no longer apply where the defect is a result of alteration, accident, misuse, abuse or neglect.

Please retain your receipt as proof of purchase and contact our Customer Service Centre as listed below, for the entity you purchased this product from, for any difficulties with your product. Warranty claims and claims for expense incurred in returning this product can be addressed to the respective Customer Service Centre.

Our goods come with guarantees that cannot be excluded under the Australian Consumer Law. You are entitled to a replacement or refund for a major failure and compensation for any other reasonably foreseeable loss or damage. You are also entitled to have the goods repaired or replaced if the goods fail to be of acceptable quality and the failure does not amount to a major failure.

Contact for Kmart purchases	Contact for Target purchases
Kmart Australia Ltd. C/- Customer Service Centre 690 Springvale Road, Mulgrave Vic 3170 Customer Service: 1800 124 125 (Australia) or 0800 945 995 (New Zealand) or via Customer Help at kmart.com.au	Target Australia Pty Ltd C/- Customer Service Centre 2 Kendall Street, Williams Landing, Vic, 3027 Customer Service: 1300 753 567 or via Customer Help at target.com.au/help/contact-us

PARTS



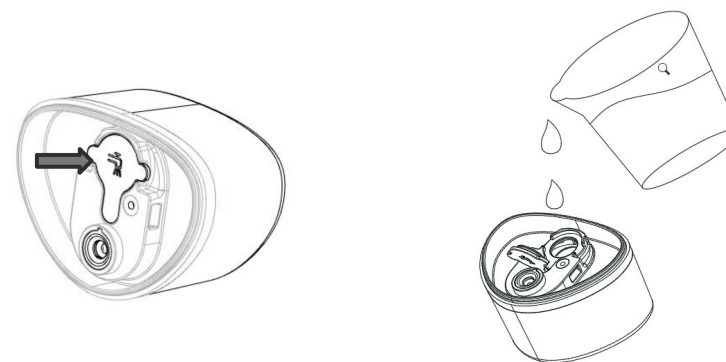
1. Indicator light
2. Water Tank
3. Foldable joint
4. Steam button
5. On/Off switch
6. Steam Nozzle

FILLING THE WATER TANK



To prevent scale build-up always empty the water tank after use. Rinse the water tank to remove any deposits.

- Ensure that the steamer is cold and not connected to mains power.
- Remove the water tank from the back of the unit. Open the inlet cover and fill in water.
- DO NOT exceed the max level on the tank.



- Close the water inlet cover and fit the water tank back on main unit.
- To avoid water spillage, ensure that the water tank is properly closed.


NOTES:

To avoid calcium deposits, we recommend you use distilled water for your garment steamer. To avoid damage or blockage, do not use any scented water or additives.


OPERATION

1. Unfold the garment steamer and fit in the water tank.
2. Ensure the water tank is filled with water before using the garment steamer.



3. Plug the unit into a 220-240V AC electrical power outlet.
4. Turn ON the appliance, the indicator light will illuminate. Wait until the indicator light is OFF (approximately 45s), this means the appliance has heated up and is ready to use.
5. Press the button  to release steam. Hold the steamer in a vertical position with steam nozzle facing away from you. (Fig.7)
6. Do not use the appliance horizontally, upside-down or direct steam towards any part of your body.



7. Press and hold the button  for continuous steam.
8. When the water tank runs out of water, remove the water tank and refill with water.
9. After use, continue to steam until the water tank runs out of water and no steam comes out from the steam nozzle.
10. Unplug the steamer and wait for an hour for it to cool down before storage.

CAUTION! The high temperature steam from the steam nozzle can reach 180°C. Ensure that the material is high-temperature resistant before steaming. Do not leave the steam nozzle on the same spot for too long to avoid damage to the garment. Always follow cleaning instructions (label) on the garment.

USING THE STEAMER



Check the fabric label for recommendations before applying the steamer. We recommend that you test acrylic, nylon or other synthetic fabrics in an inconspicuous area to ensure these fabrics are not damaged by hot steam.

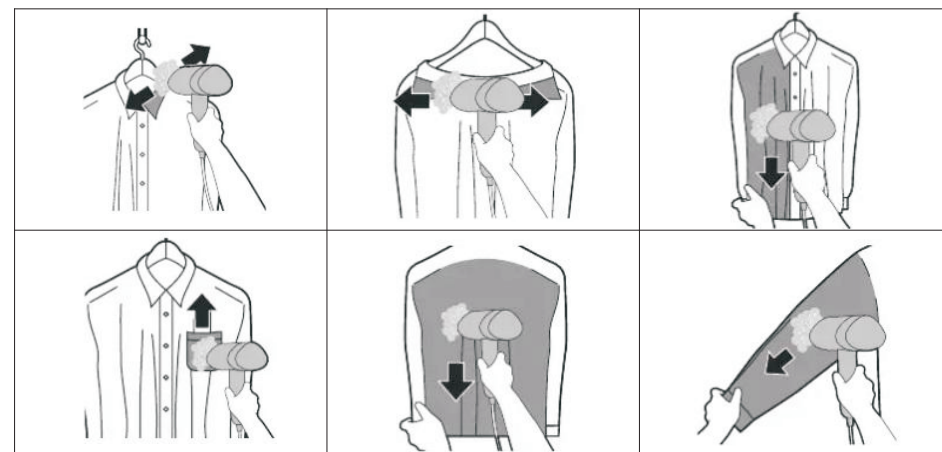
- Press the steamer head against the garment and **pull** the sides of the garment with your other hand to **stretch** it.
- Wear a glove on the hand you are using to hold a garment. The glove protects your hand against the steam from the steamer nozzle.
- Keep the steamer nozzle a slight distance away from garment with frills, ruffles, ruching or sequins. Use only the steam to loosen the fabric. You can also steam from the inside of the fabric.

For garment with collars, move the steamer horizontally along the collar.

For garments with buttons such as shirts, jackets and pants, close the first button to help straighten the fabric.

For shirt pockets, move the steamer head upwards.

To steam sleeves, start from the shoulder area and move the steamer head downwards. Steam while you carefully pull the sleeve diagonally down with the other hand.



Note: The appliance can be used for creating a natural look and for quick touch-ups. For garments with tough wrinkles and for a more formal look, it is recommended to use an iron in addition.

CLEANING AND MAINTENANCE



- Unplug the steamer from mains power and allow it to cool down completely before cleaning and storing.
- Before storage, continue to operate until no steam is spraying out from the steam nozzle and wait for the appliance to cool down completely.

Cleaning

Clean the handheld part and base unit with a damp cloth. If necessary, use a mild detergent.

Drain the water of unit base each time after use.

Do not use alcohol, acetone, benzene, scouring cleaning agents, etc., to clean the steamer. Do not use hard brushes or metallic objects.

Remove any deposits on the steam nozzle with a damp cloth. To avoid scratching the finishing, never use a metallic pad to clean the nozzle, and never place the steamer on a rough surface.

Always store the steamer seat upright on base unit to avoid accidentally dropping the unit.

Descaling

If de-mineralized or distilled water was not used for operation, we recommend you follow below descaling procedure monthly.

1. Remove the water tank from main body and unit base.
2. Fill the water tank with 50% white vinegar and 50% water. 50ml of this solution will be enough.
TIP! Mix the solution in a separate container and then pour into the water tank.
3. Stand for 40 minutes. Wipe the external areas using a wet cloth.
4. Drain out the vinegar solution and pour in clean water to rinse the water tank. Repeat this step several times until the vinegar odour has disappeared.
5. Fit the water tank in place.