

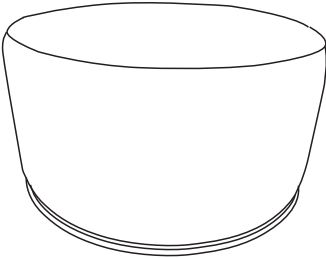
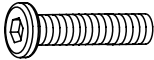
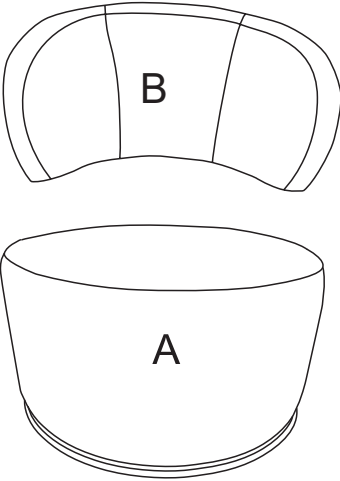
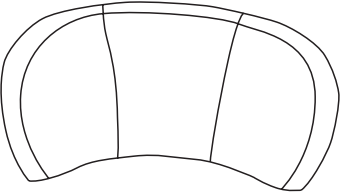
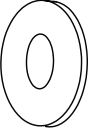
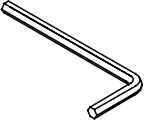
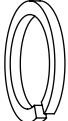
Assembly Instructions

43471713 CORDUROY SWIVEL CHAIR

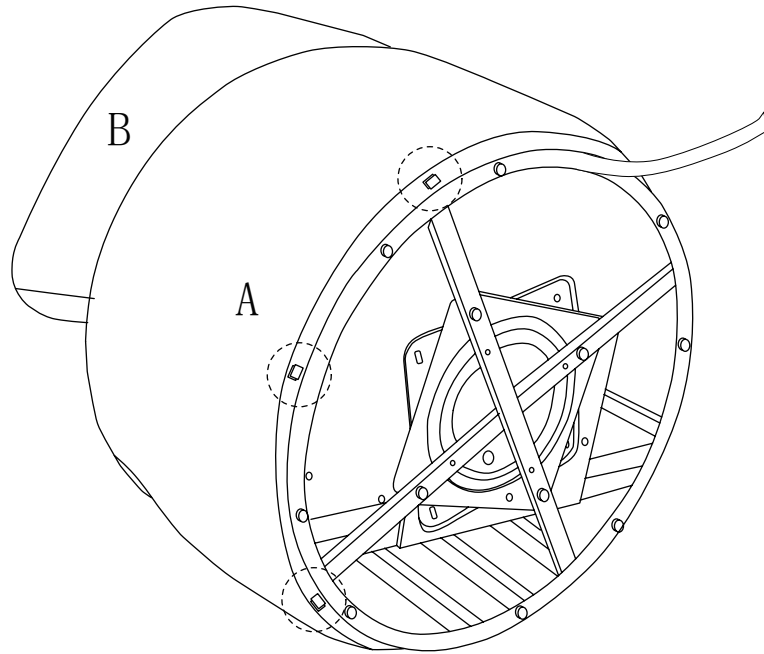
CARE INSTRUCTIONS: WIPE CLEAN WITH A SOFT DAMP CLOTH. DO NOT USE ABRASIVE MATERIAL AND SOLVENTS. SPOT CLEAN IF NEEDED. KEEP AWAY FROM WATER AND DIRECT SUNLIGHT. STORE IN A DRY PLACE. CHECK AND TIGHTEN ALL PARTS REGULARLY. FOR INDOOR AND DOMESTIC USE ONLY.

WARNING: DO NOT STAND ON THIS CHAIR. USE ONLY ON A FLAT SURFACE. SUITABLE FOR ONE PERSON USE ONLY. DO NOT USE UNTIL ALL SCREWS, BOLTS AND KNOBS ARE FIRMLY SECURED. THIS PRODUCT CONTAINS SMALL PARTS AND SHARP POINTS, KEEP AWAY FROM CHILDREN AND BABIES. ADULT ASSEMBLY REQUIRED. DO NOT TIGHTEN THE SCREWS FULLY DURING ASSEMBLY. FULLY TIGHTEN SCREWS AFTER THE FINAL ASSEMBLY STEPS. DO NOT TIGHTEN THE SCREWS FULLY DURING ASSEMBLY. FULLY TIGHTEN SCREWS AFTER THE FINAL ASSEMBLY STEPS. FAILURE TO FOLLOW THESE WARNINGS COULD RESULT IN SERIOUS INJURY.

MAXIMUM SAFE LOAD: 100KG.

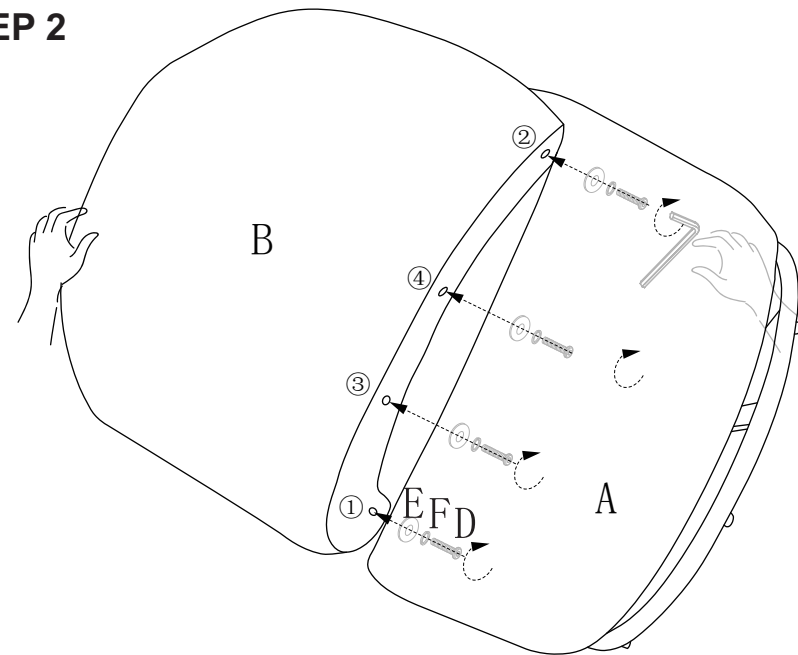
Ax1 	Dx4  M8x50mm		
Bx1 	Ex4  M8		
Cx1 	Fx4  M8		Do not tighten the screws fully during assembly. Fully tighten screws after the final assembly steps

STEP 1



Before assembly, please remove the small wooden blocks and the non-woven fabric on the tube.

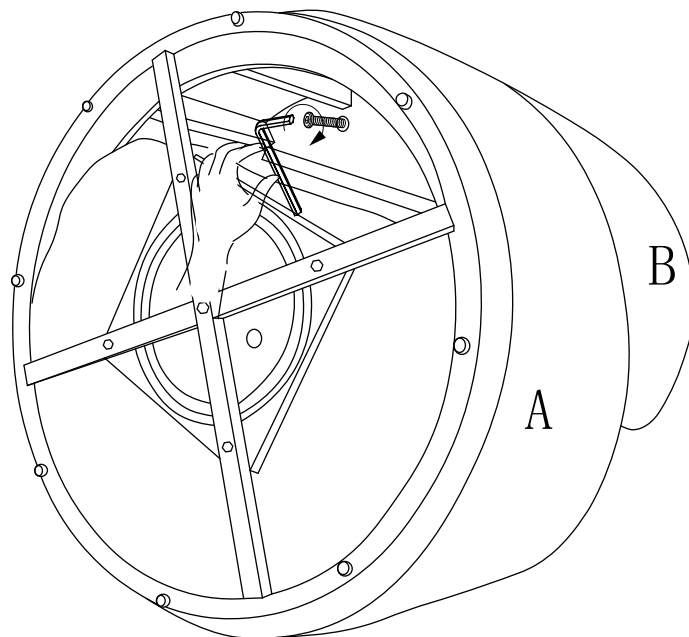
STEP 2



According to the order of the holes, twist each screw by a third.

ATTENTION: DO NOT TURN THE BASE DURING ASSEMBLY.

STEP 3



Turn the chair over and tighten the screws.

ATTENTION: DO NOT TURN THE BASE DURING ASSEMBLY.

STEP 4

