

# Assembly Instructions

## 43471850 CUSTOM STORAGE SET OF 2 LAUNDRY AIRERS

**CARE INSTRUCTIONS:** WIPE CLEAN WITH A DAMP OR DRY CLOTH. DO NOT USE ABRASIVE MATERIALS AND SOLVENTS. KEEP AWAY FROM WATER AND DIRECT SUNLIGHT. STORE IN A DRY PLACE. FOR INDOOR AND DOMESTIC USE ONLY.

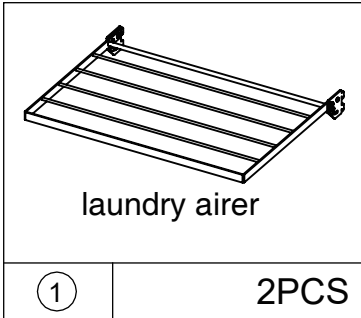
**WARNING:** IF UNSURE PLEASE SEEK PROFESSIONAL ASSISTANCE IN INSTALLING THIS PRODUCT. BEFORE STARTING TO INSTALL, PLEASE READ THESE INSTRUCTIONS CAREFULLY TO MAKE SURE YOU FOLLOW THE CORRECT STEPS FOR INSTALLATION. PRODUCT MUST BE LOCATED WITHIN THE SPACE HANGING TO ENSURE MAXIMUM STABILITY AND STRENGTH.

**MAXIMUM SAFE LOAD: 4KG FOR EACH AIRER. HANGING SPACE: 225CM PER AIRER.**

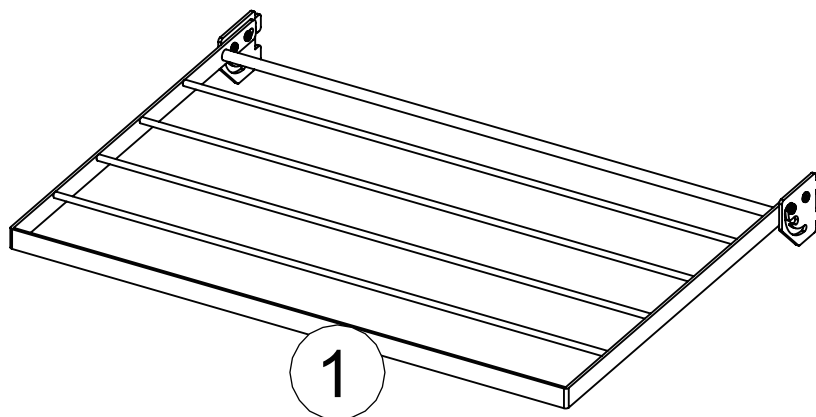
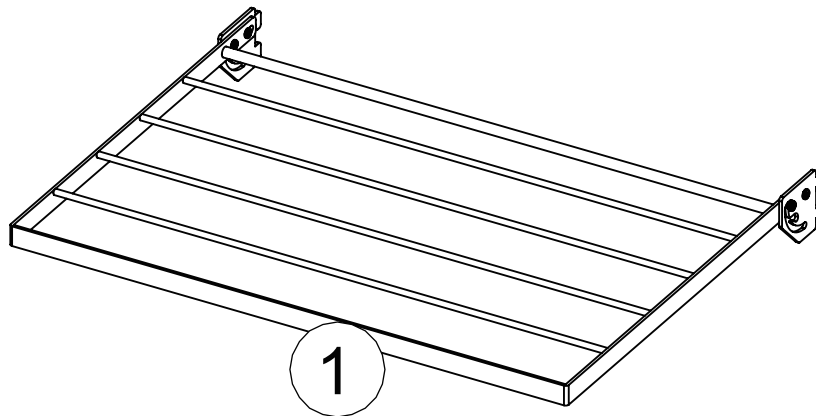
**PLEASE SEEK PROFESSIONAL ADVICE IF IN DOUBT.**

**INSTRUCTIONAL VIDEO:** <https://youtu.be/hk4HPbWG0Q8>

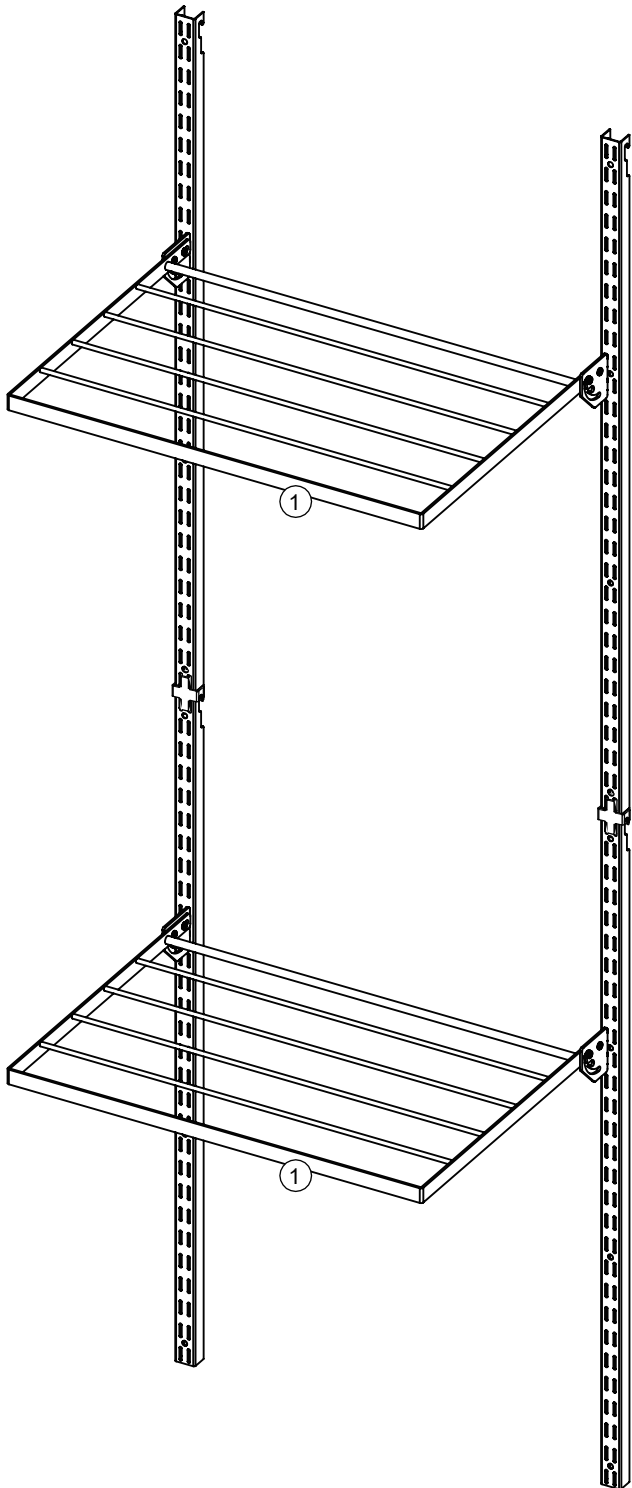
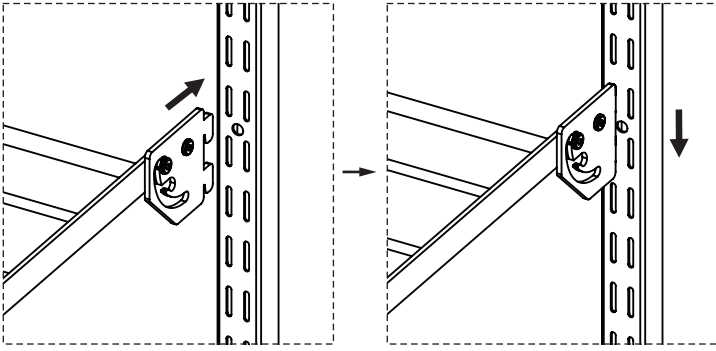
### Parts List



**INSTRUCTIONAL VIDEO  
AVAILABLE ONLINE**



**STEP 1** Install the laundry ainer and apply a downward push to ensure it is locked in place.



**STEP 2** This product has three gear settings. Please adjust the gear according to the diagram and ensure that the product is locked in place.

