

# Assembly Instructions

## 43471904 CUSTOM STORAGE MESH DRAWER

**CARE INSTRUCTIONS:** WIPE CLEAN WITH A DAMP OR DRY CLOTH. DO NOT USE ABRASIVE MATERIALS AND SOLVENTS. KEEP AWAY FROM WATER AND DIRECT SUNLIGHT. STORE IN A DRY PLACE. FOR INDOOR AND DOMESTIC USE ONLY.


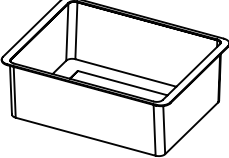


**WARNING:** IF UNSURE PLEASE SEEK PROFESSIONAL ASSISTANCE IN INSTALLING THIS PRODUCT. BEFORE STARTING TO INSTALL, PLEASE READ THESE INSTRUCTIONS CAREFULLY TO MAKE SURE YOU FOLLOW THE CORRECT STEPS FOR INSTALLATION. PRODUCT MUST BE LOCATED WITHIN THE SPACE HANGING TO ENSURE MAXIMUM STABILITY AND STRENGTH.

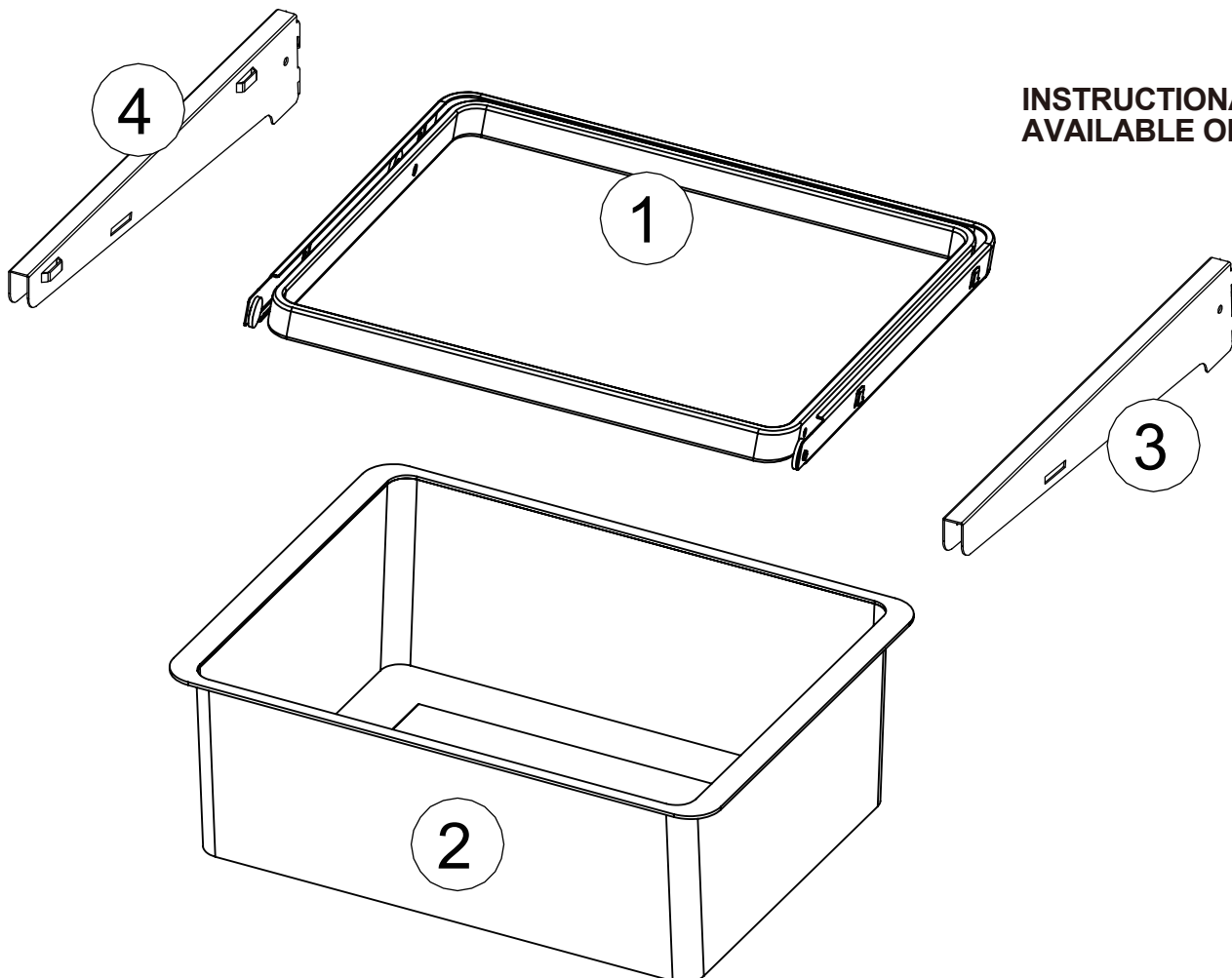
**MAXIMUM SAFE LOAD: 5KG FOR MESH BASKET.**

**PLEASE SEEK PROFESSIONAL ADVICE IF IN DOUBT.**

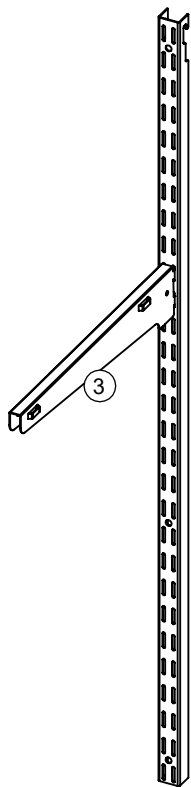
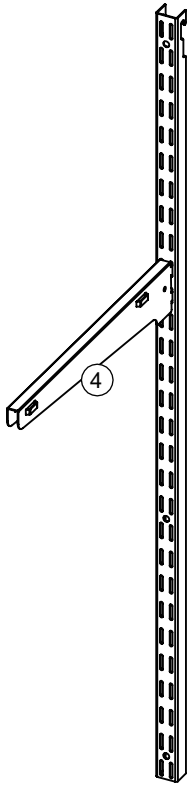
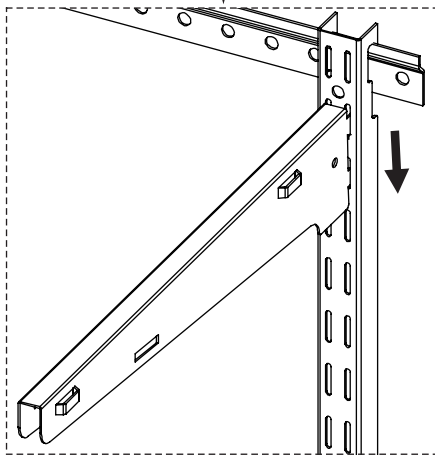
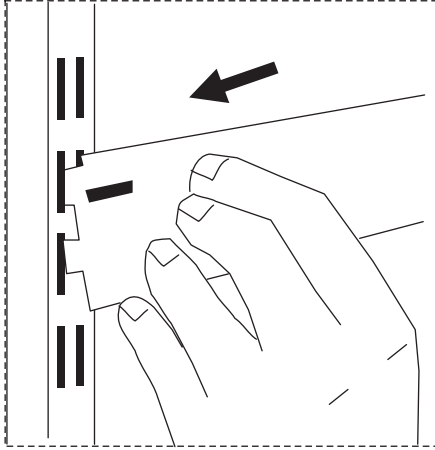
**INSTRUCTIONAL VIDEO:** <https://youtu.be/SEtPwl6XYp0>

### Parts List

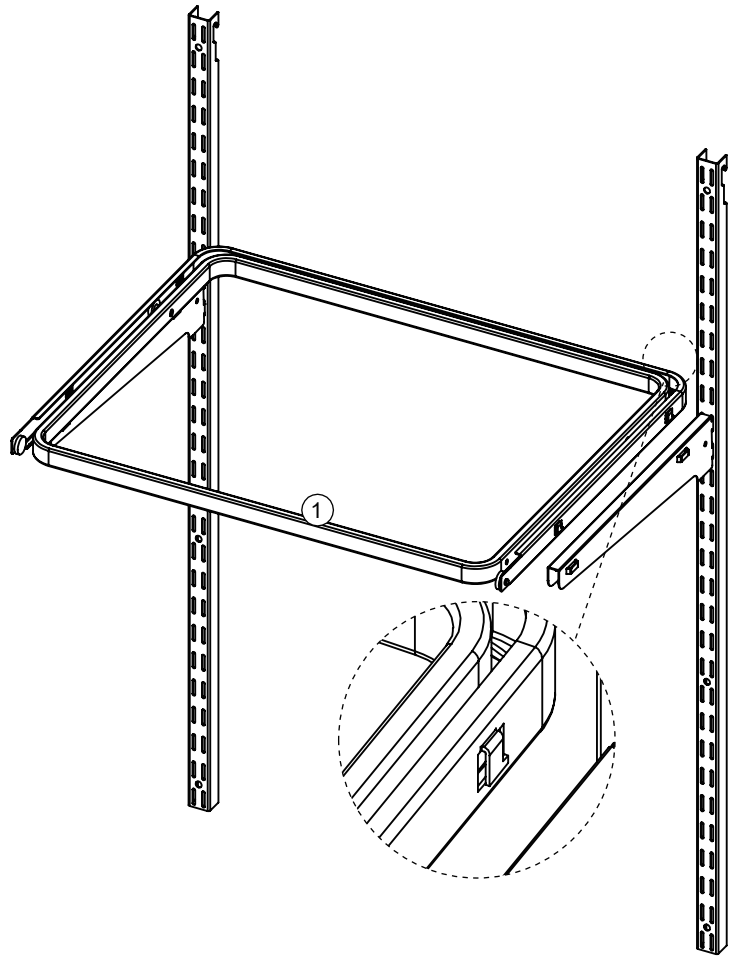
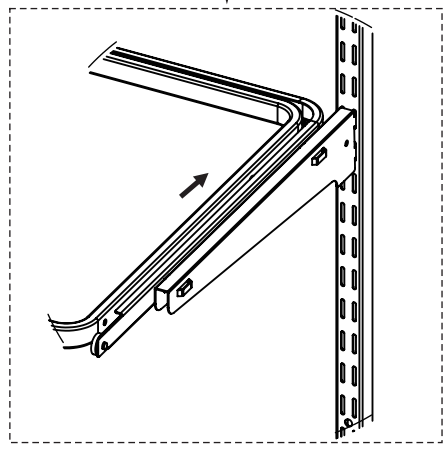
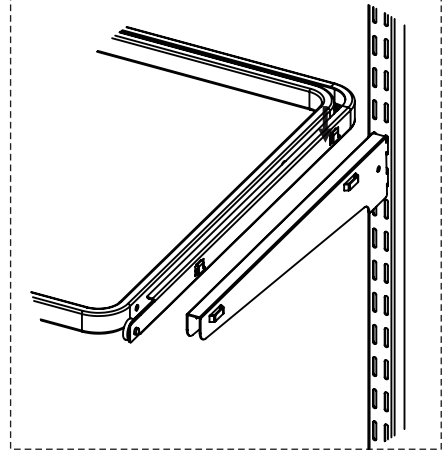
			
holder frame	mesh basket	right bracket	left bracket
①	1PC	③	1PC
②	1PC	④	1PC



**STEP 1** Install the left and right brackets and apply a downward push to ensure it is locked in place.



**STEP 2** Install the holder frame and ensure that the snaps underneath the holder frame engage with the notches. Secure the holder frame and give it a push to ensure it is locked in place.



**STEP 3** Place the mesh basket in holder frame.

