

ASSEMBLY INSTRUCTIONS

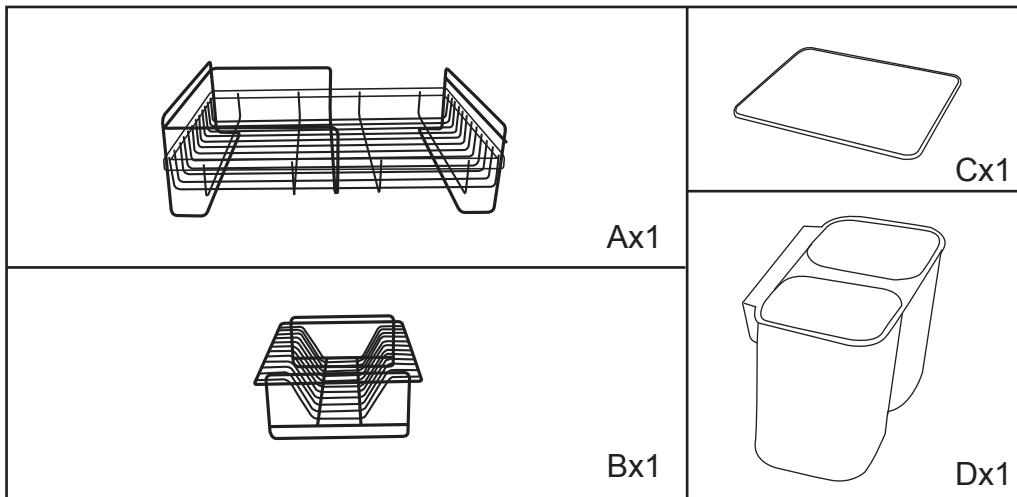
K : 43472789 | T: 70208429

BLACK 2 TIER DISH RACK

Important:

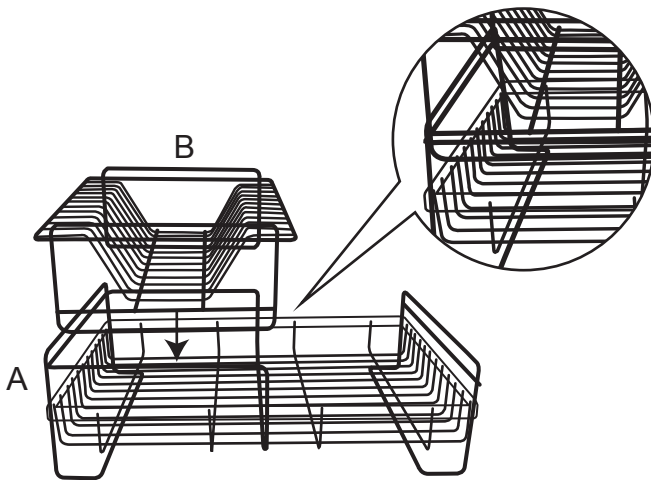
1. Please read this leaflet for instructions on assembly of this dish rack.
2. Ensure you have all parts listed before commencing assembly.
3. Wash in warm soapy water and dry thoroughly before use.
4. Keep this leaflet for future reference.

PART LIST

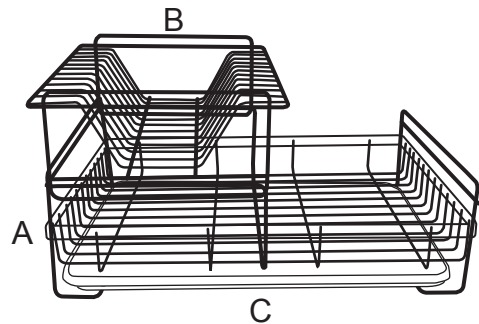


ASSEMBLY INSTRUCTION

Step 1: Put A onto B. Make sure the bars of B overlapping on the bars of A.



Step 2: Insert the tray C into A for dripping.



Step 3: Hang the cutlery holder D to frame A.

