

Assembly Instructions

43474066 CHASE CHEST OF DRAWERS

CARE INSTRUCTIONS:


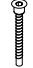




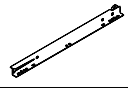
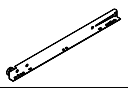
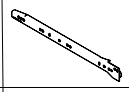
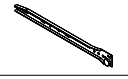






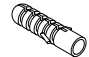




WIPE CLEAN WITH A DRY CLOTH. DO NOT USE ABRASIVE MATERIALS AND SOLVENTS. CHECK AND TIGHTEN ALL PARTS REGULARLY. PLEASE LAY FURNITURE ON THE CARPET TO AVOID ANY DIRTY OR DAMAGE ON THE TEXTURE DURING ASSEMBLY. KEEP AWAY FROM WATER AND DIRECT SUNLIGHT. STORE IN A DRY PLACE. FOR INDOOR AND DOMESTIC USE ONLY. A MILD ODOUR MAY BE PRESENT WHEN FIRST OPENING THIS CARTON. SIMPLY ALLOW TO AIR OUTSIDE AND THIS WILL FADE.

WARNING:

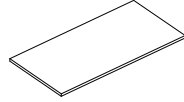
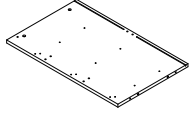
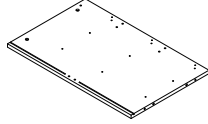
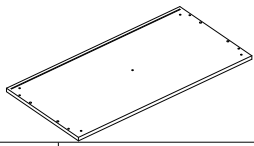
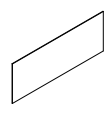
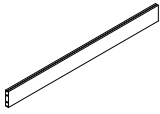
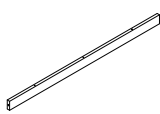
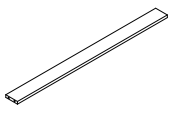
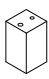
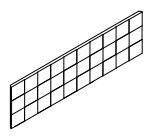
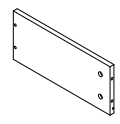
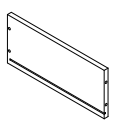
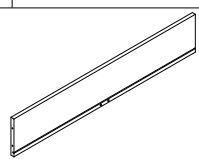
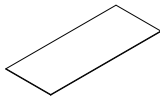
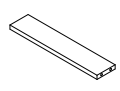
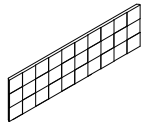
DO NOT STAND OR SIT ON THIS UNIT. DO NOT USE THIS UNIT UNLESS ALL BOLTS AND SCREWS ARE FIRMLY SECURED. DO NOT KNOCK OR DRAG THIS UNIT. USE ONLY ON A FLAT SURFACE. DO NOT PLACE HOT ITEMS SUCH AS COFFEE CUPS DIRECTLY ON THE SURFACE. ADULT ASSEMBLY REQUIRED. FAILURE TO FOLLOW THESE WARNINGS COULD RESULT IN SERIOUS INJURY. THIS PACKAGE CONTAINS SMALL PARTS AND SHARP POINTS. KEEP AWAY FROM CHILDREN AND BABIES.

MAXIMUM SAFE LOAD: 15KG FOR TOP, 7KG FOR EACH DRAWER.

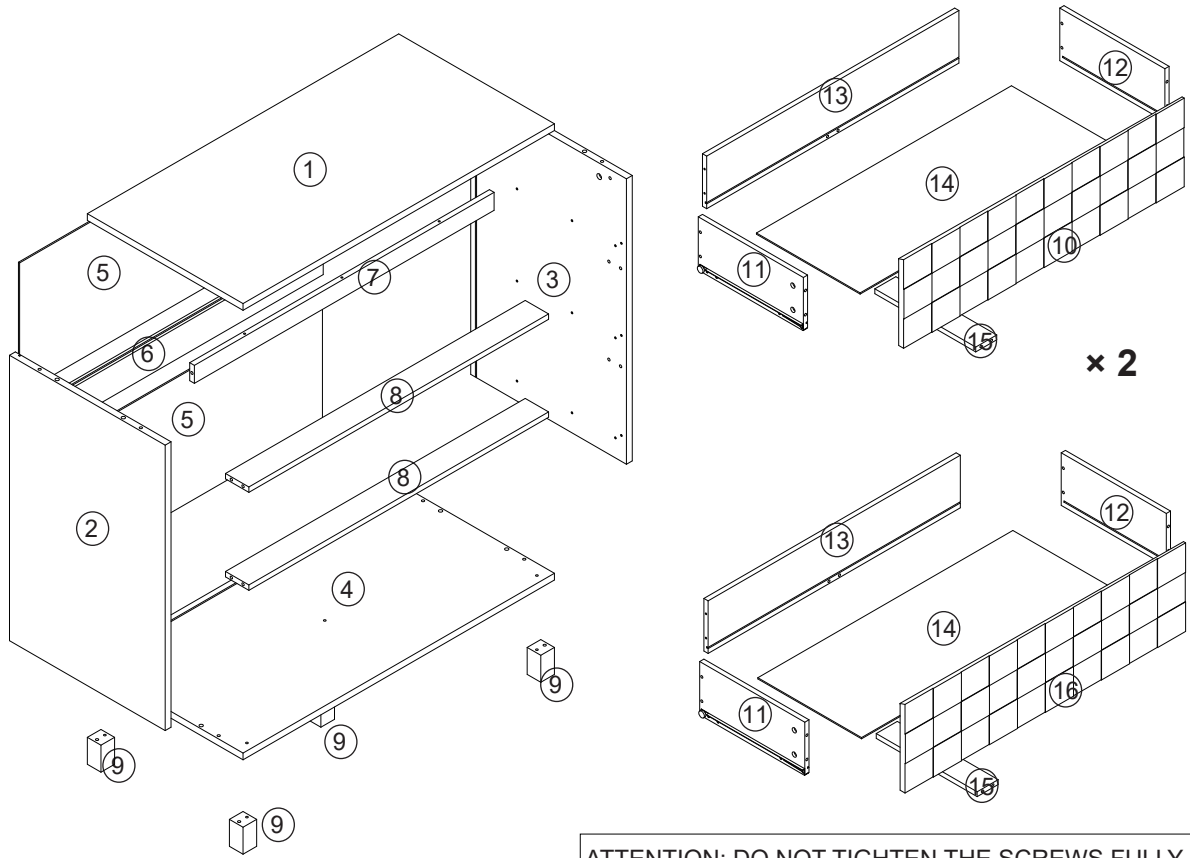
1 Hardware List

	A	6x30mm	15pcs		B	7x50mm	4pcs		C	4x30mm	18pcs
	D	6x35mm	34pcs		E	15x10mm	34pcs		F	3x12mm	44pcs
	G		3pcs		H		3pcs		I		3pcs
	J		3pcs		K		5pcs		L	4#	1pc
	M	3#	1pc		N		8pcs		O	3x14mm	8pcs
	P	4x40mm	2pcs		Q		2pcs		R		4pcs
	S		2pcs		T	5x40mm	5pcs		U	4x45mm	3pcs

2 Parts List




			
① 1pc	② 1pc	③ 1pc	④ 1pc
			
⑤ 2pcs	⑥ 1pc	⑦ 1pc	⑧ 2pcs
			
⑨ 5pcs	⑩ 2pcs	⑪ 3pcs	⑫ 3pcs
			
⑬ 3pcs	⑭ 3pcs	⑮ 3pcs	⑯ 1pc

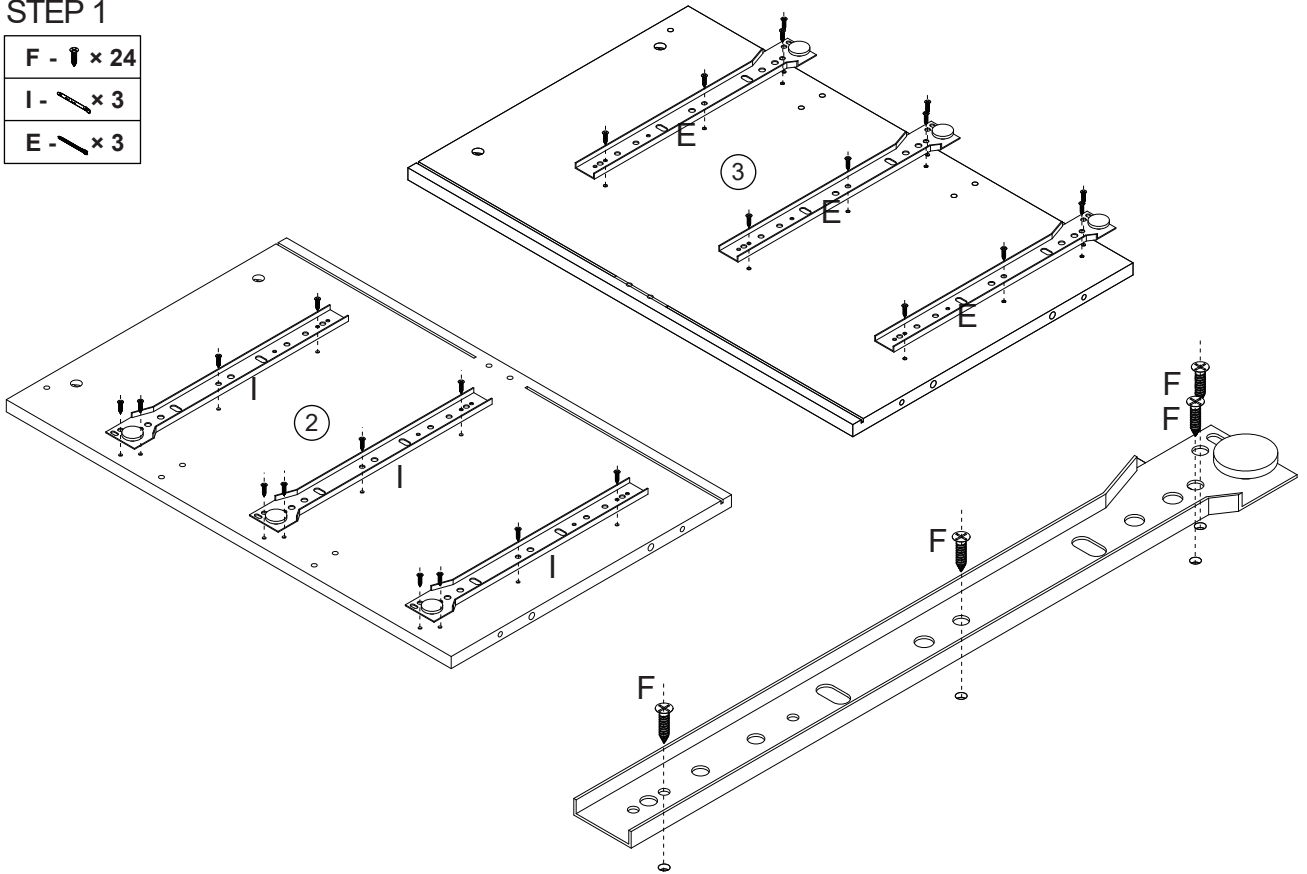
3



ATTENTION: DO NOT TIGHTEN THE SCREWS FULLY DURING ASSEMBLY. FULLY TIGHTEN SCREWS AFTER THE FINAL ASSEMBLY STEP.

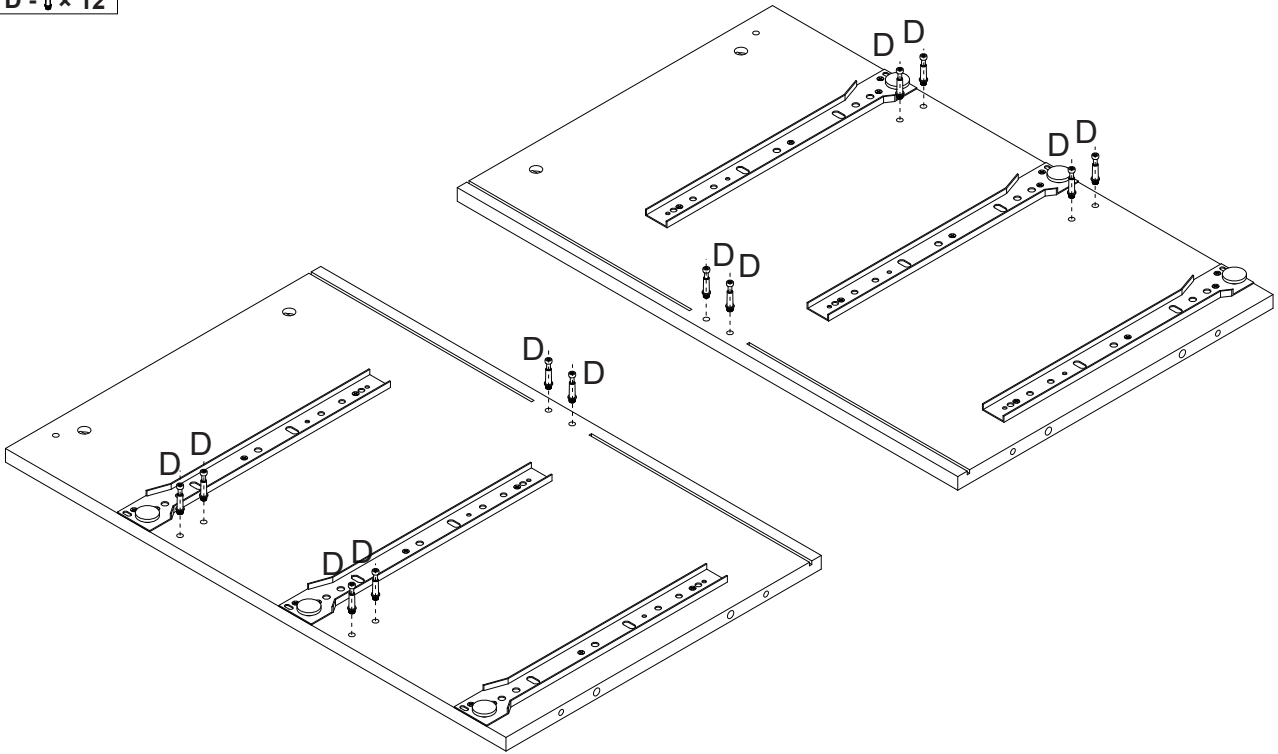
STEP 1

- F -  x 24
- I -  x 3
- E -  x 3




STEP 2

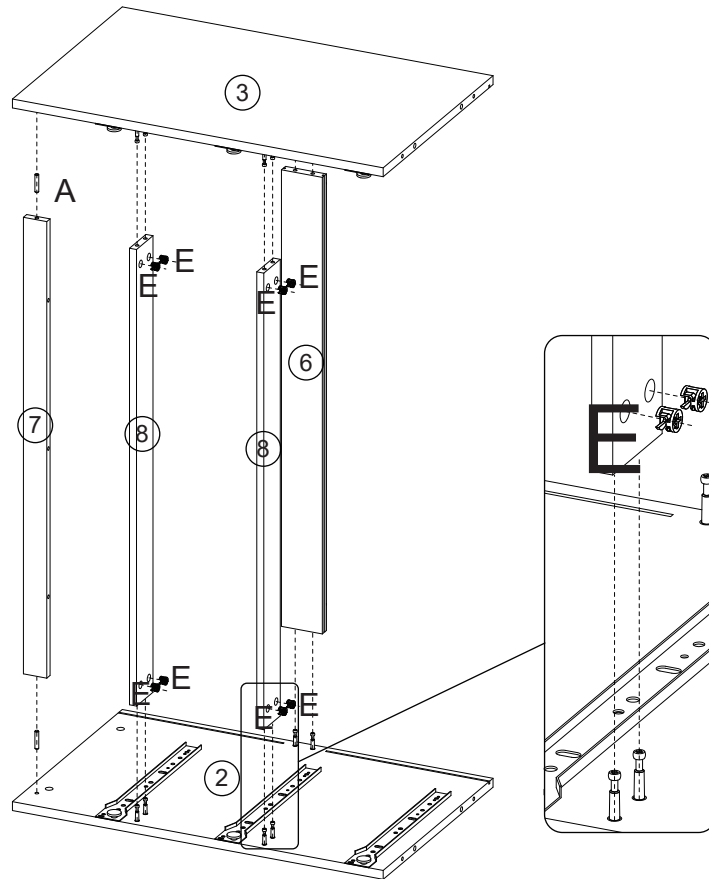
D -  x 12



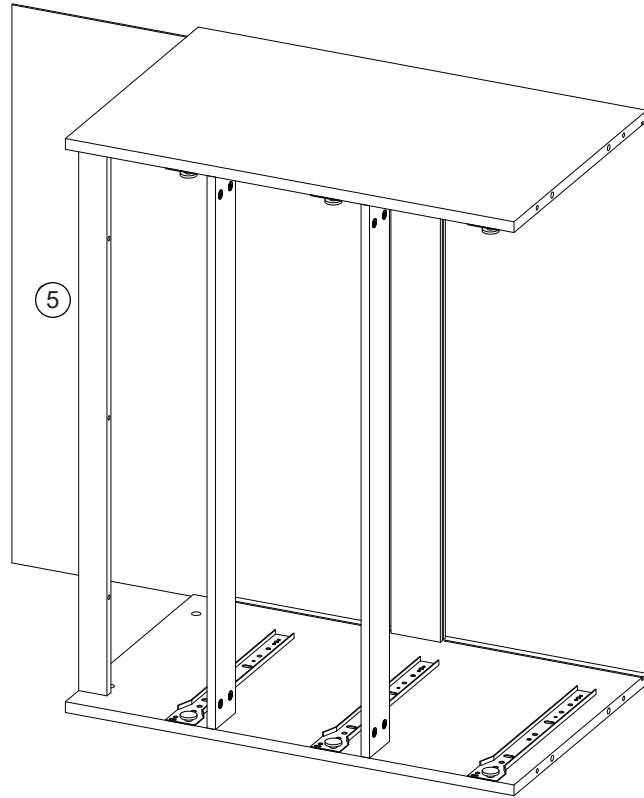
STEP 3

A -  x 2


E -  x 12

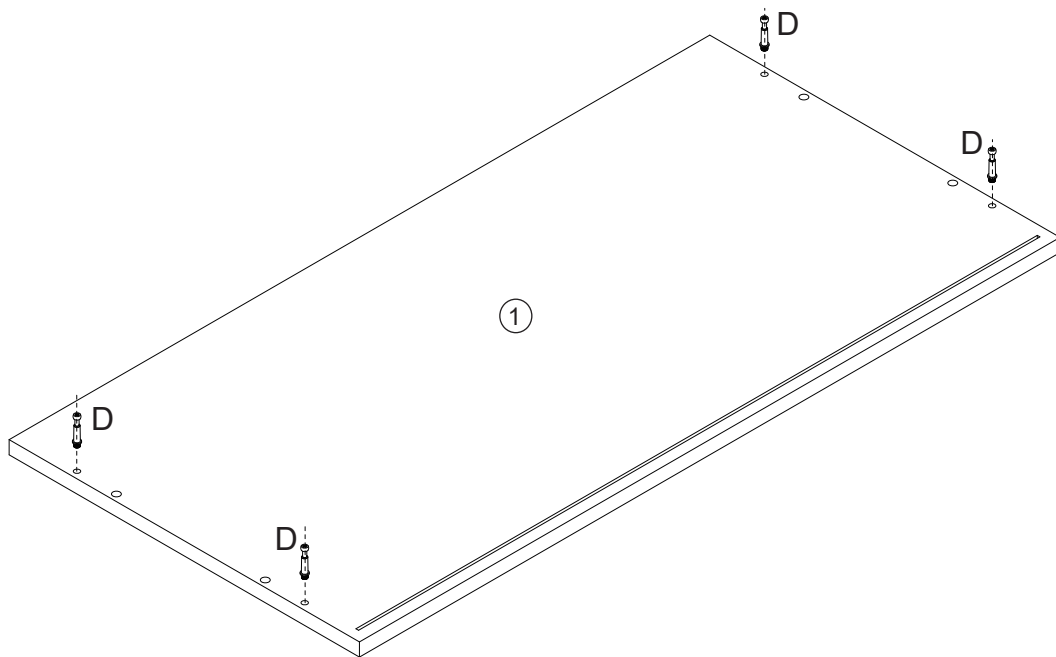


STEP 4





STEP 5


D -  x 4

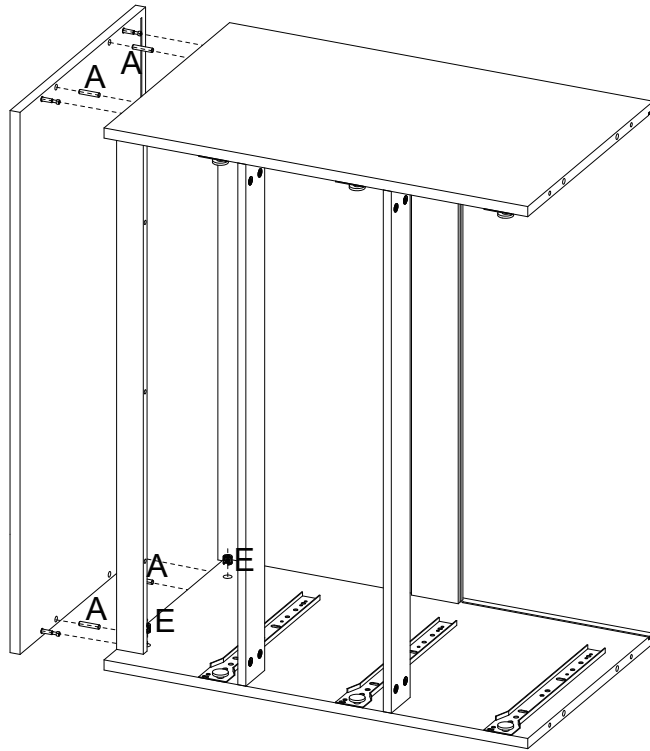


STEP 6


A -  x 4

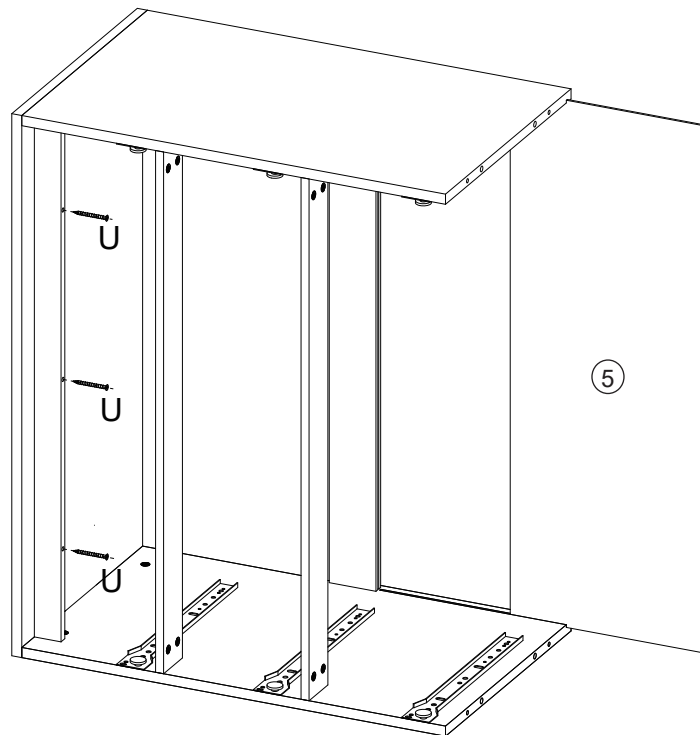
E -  x 4

P -  x 3



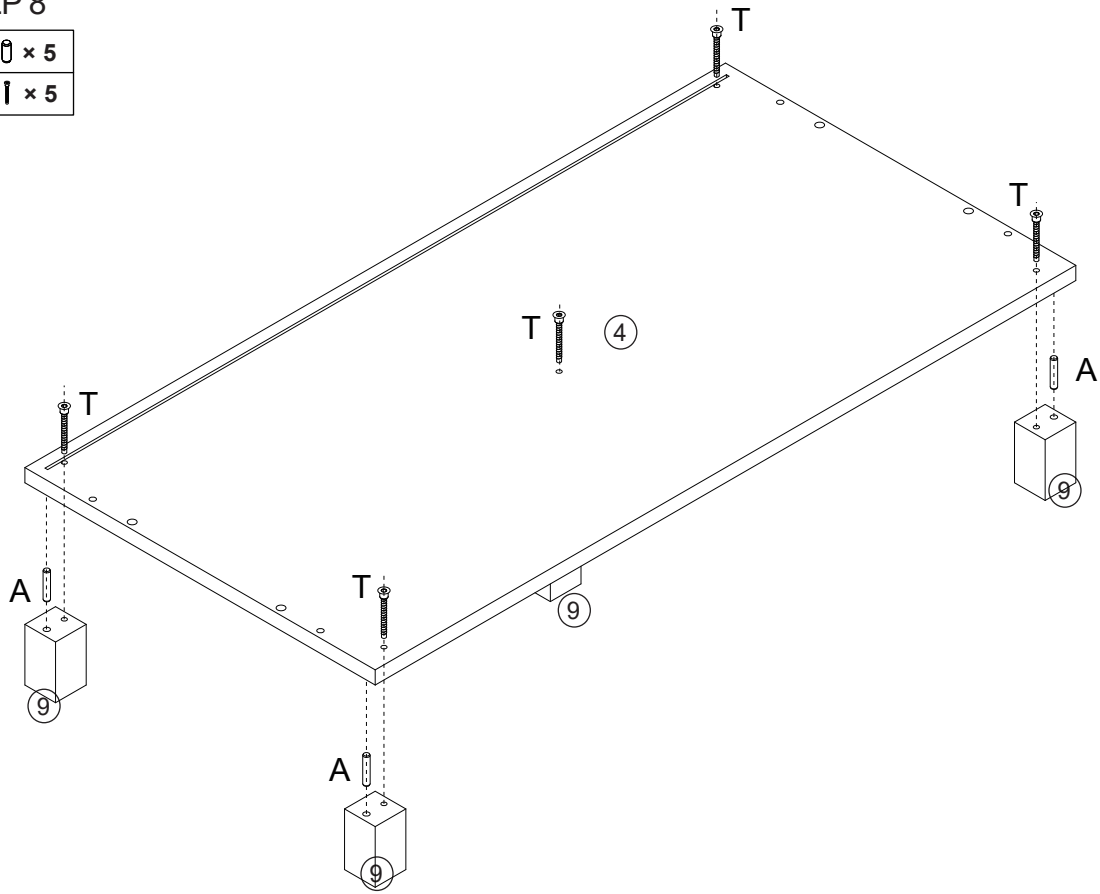
STEP 7

U -  x 3



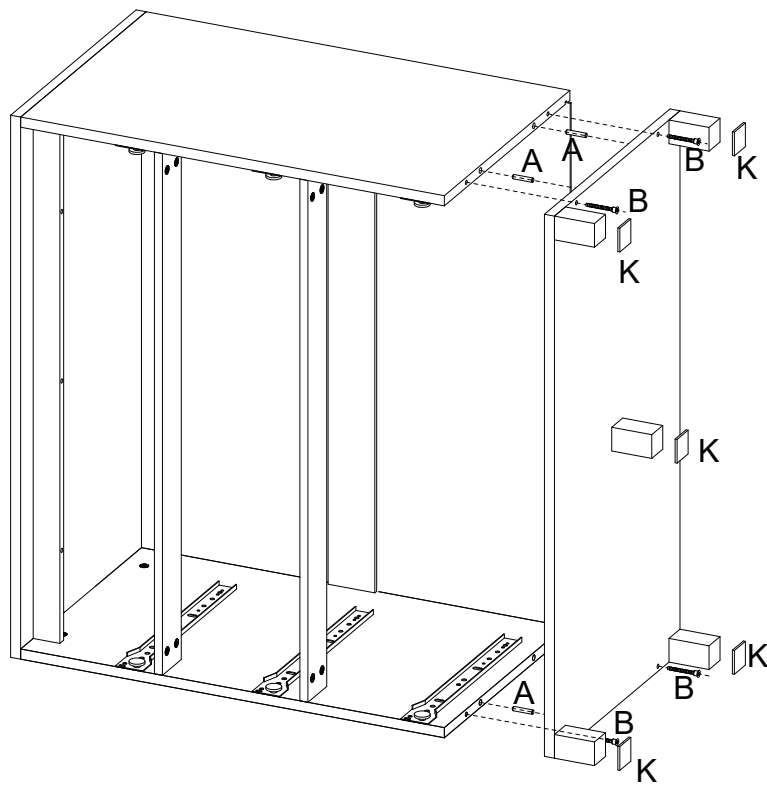
STEP 8

- A - $\emptyset \times 5$
- T - $\uparrow \times 5$



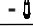
STEP 9

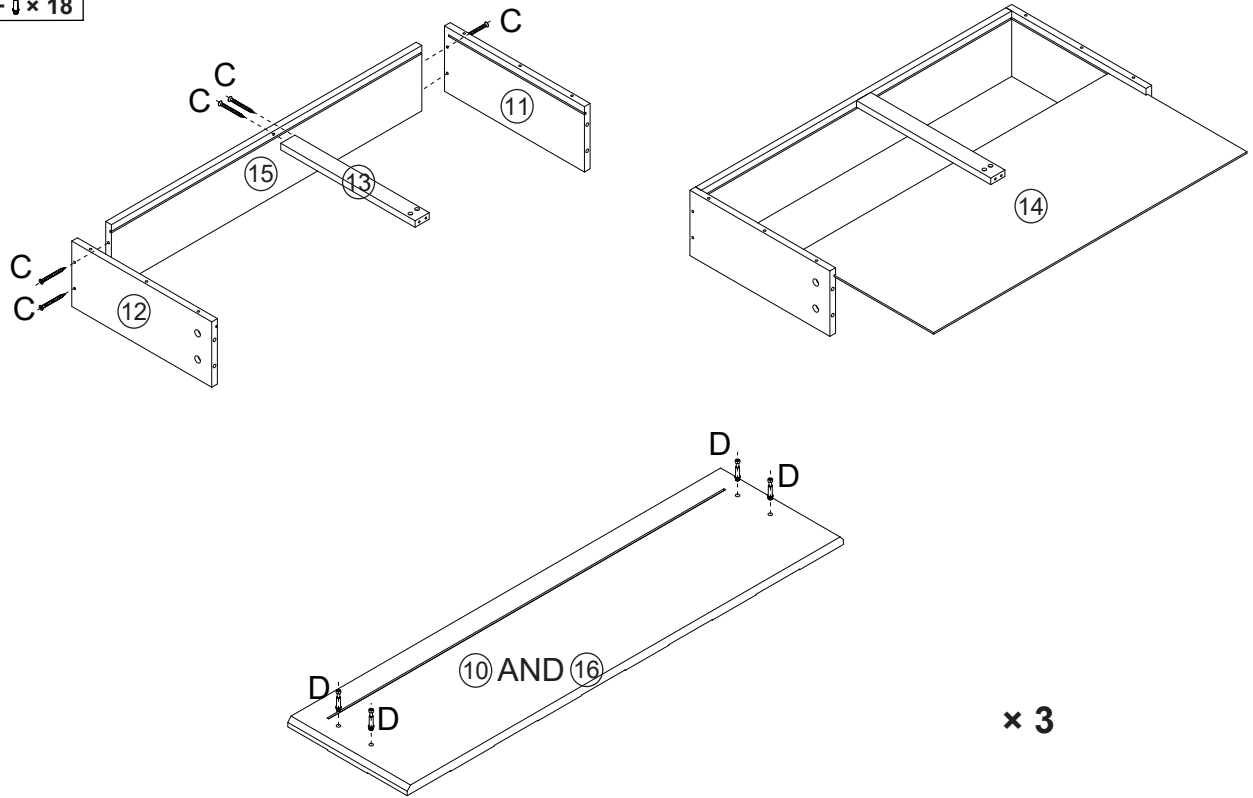
- A - $\emptyset \times 4$
- B - $\uparrow \times 4$
- K - $\square \times 5$



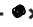
STEP 10

C -  x 18


D -  x 18




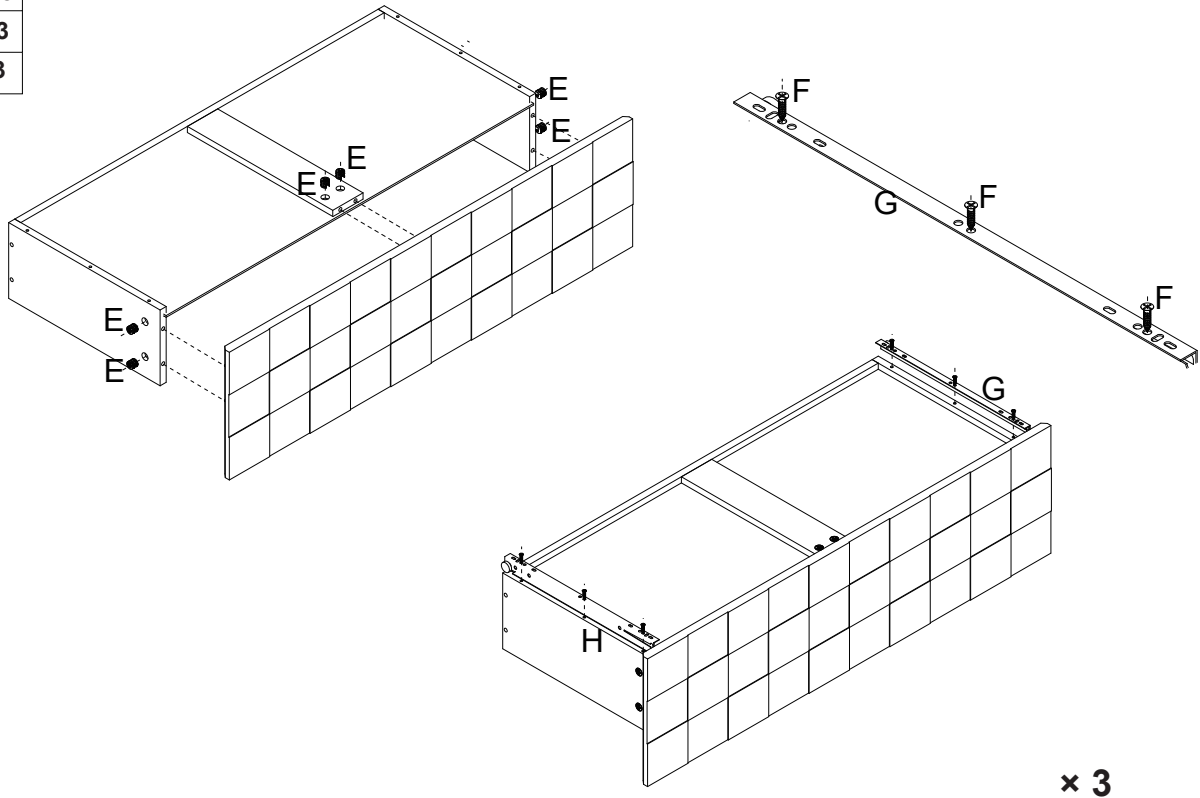
STEP 11

E -  x 18

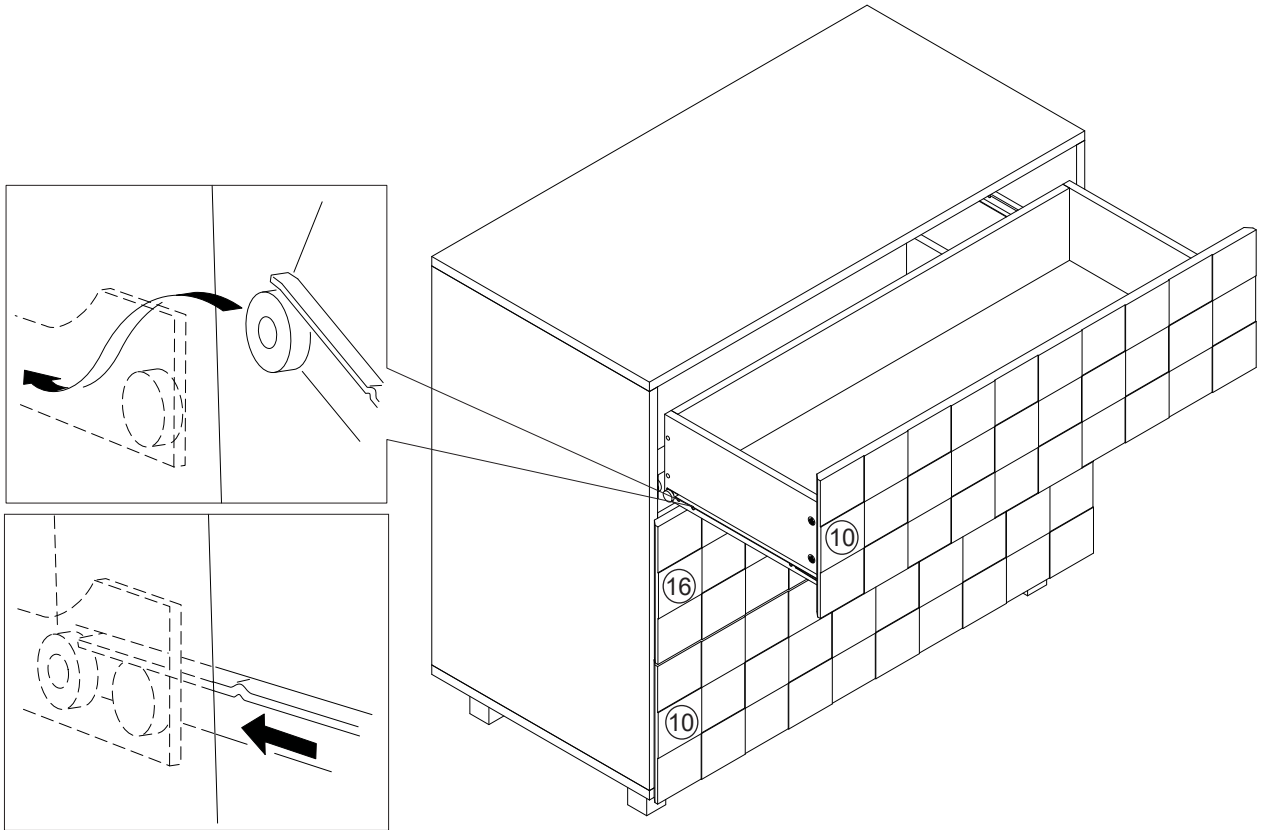
F -  x 18

G -  x 3




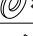

H -  x 3

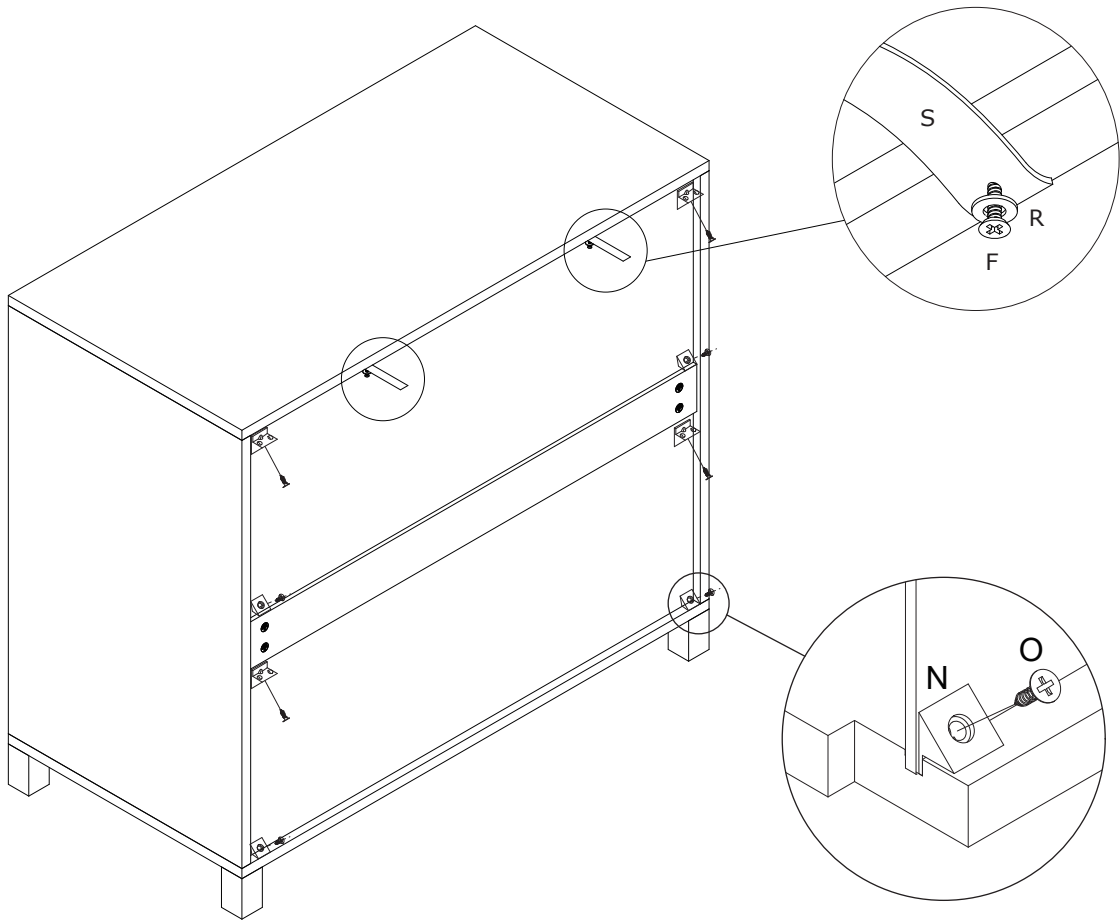


STEP 12






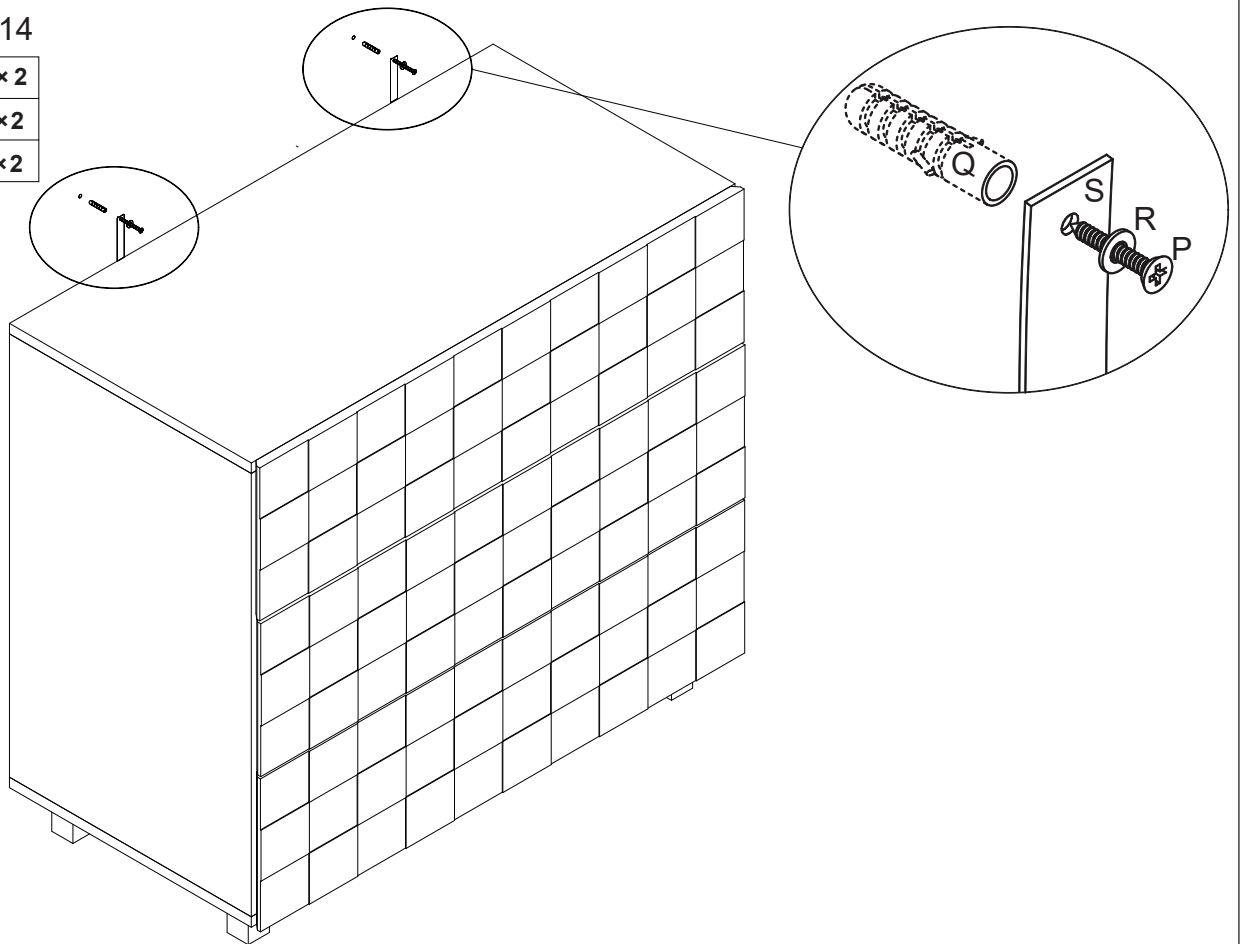
STEP 13

- N -  × 8
- F -  × 2
- O -  × 8
- R -  × 2
- S -  × 2



STEP 14

- P -  x2
- Q -  x2
- R -  x2



⚠ WARNING




Children have died from furniture tipover.

- ALWAYS secure it with an anchor device.
- NEVER allow children to stand, climb or hang on drawers, doors, or shelves.
- NEVER open more than one drawer at a time.
- Place heavy items down low.

NEVER put a TV on this furniture 

This is a permanent label. Do not remove!

TOPPLING FURNITURE WARNING:

- **It is strongly recommended that this product is permanently fixed to the wall.**
- **Please seek professional advice if you are in doubt of what fixing device to use.**
- **Regularly check that anchors are securely maintained.**
- **Use safety drawer locks to prevent children climbing.**
- **Stability of tall items may be affected by thick pile carpet or uneven floors .**
- **Do not place unanchored televisions on furniture .**

CAUTION: for your safety when attaching the anchor fixings, please note the following:

- **Check any electrical wires or plumbing inside the wall before drilling any holes (if you are unsure please seek professional advice from a qualified tradesperson).**



TOPPLING HAZARD

WARNING: PLEASE SECURE YOUR FURNITURE WITH THE SUPPLIED WALL FIXING. SCAN THE CODE FOR MORE INFORMATION.

