

Dispenser Water Filtration System

Use and Safety Instructions




- FOR HOUSEHOLD USE ONLY -

IMPORTANT SAFEGUARDS

Definitions

Whenever used, the following terms identify safety and property damage messages and designate a level of hazard seriousness.

 - This is the safety alert symbol. It alerts you to potential personal injury hazards. Obey all safety messages that follow this symbol to avoid possible injury or death.

DANGER - Indicates an imminently hazardous situation, which, if not avoided, will result in death or serious injury. Usage of this signal word is limited to the most extreme situations.

WARNING - Indicates a potentially hazardous situation, which, if not avoided, could result in death or serious injury.

CAUTION - Indicates a potentially hazardous situation, which, if not avoided, may result in minor/moderate injury.

NOTICE - Addresses practices not related to personal injury, such as product and/or property damage.



READ ALL INSTRUCTIONS BEFORE USE.



WARNING-- To reduce the risk of serious personal injury:

- This product is intended to filter tap water only. Do not use water of unknown quality or that has been micro-biologically impaired with this product.
- If official instructions have been issued to boil tap water before consuming it, the water placed into this product must also be boiled, either before or after passing through the Filter.
- If persons with weak immune systems, such as babies or the elderly, have been advised to boil tap water before consuming it, the water placed into this product for consumption by these persons must also be boiled, prior to or after filtration.

NOTICE-- To reduce the risk of product damage:

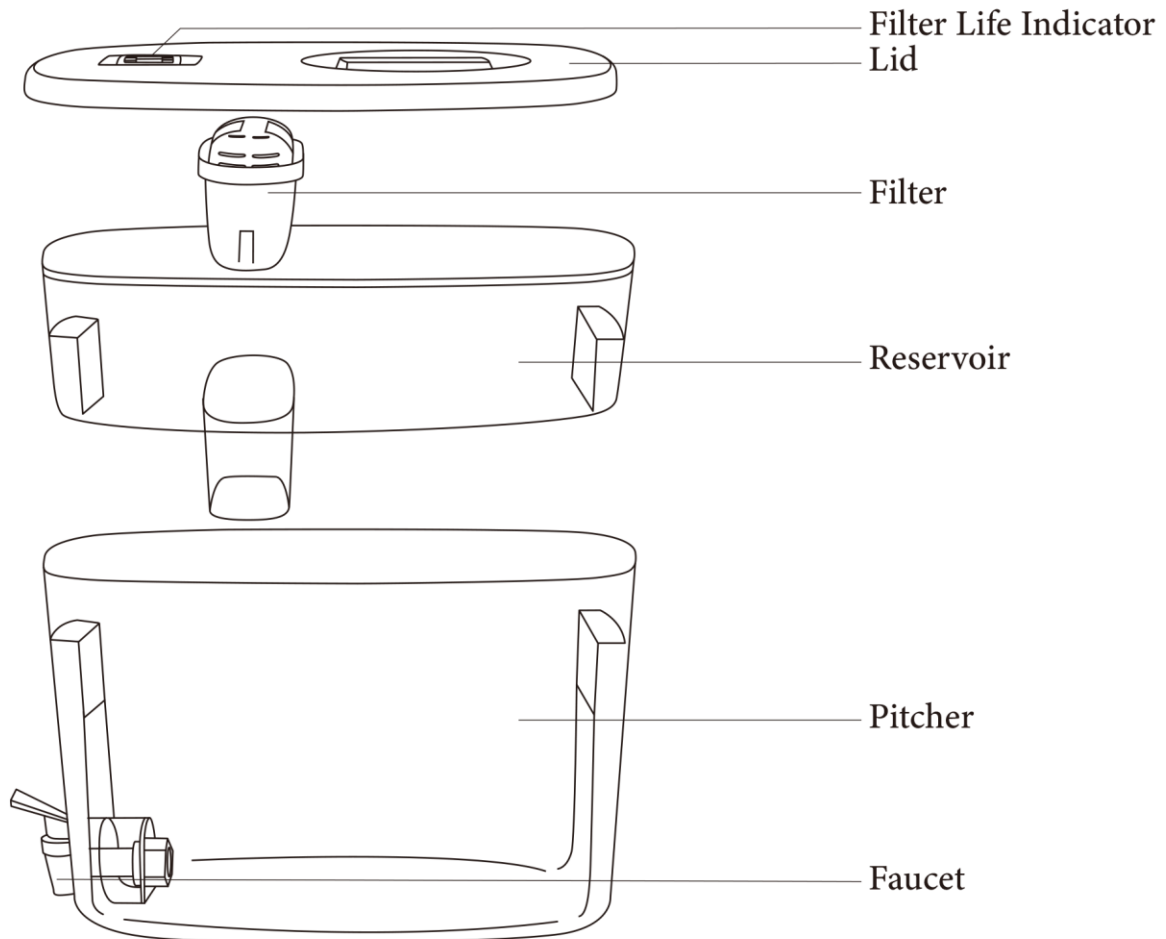
- Filter only cold or room temperature water with this product. Do not pass warm or hot water through it.
- Do not apply concentrated cleaning agents such as heavy oxidants, bleach, chlorinated solvents, or the like to any part of this product. Do not use abrasive pads on the product.
- Do not boil any part of this product.
- Do not place any part of this product in a dishwasher for cleaning.
- If the dispenser or Reservoir is broken or cracked, replace the whole product. If the Filter is damaged, replace only the Filter.

SAVE THESE INSTRUCTIONS FOR FUTURE REFERENCE

The water filtration system reduces impurities in tap water, while improving the taste, smell, and clarity. It also provides a more economical and environmentally friendly alternative to buying bottled water.

Save money and enjoy the fresh, crisp taste of filtered water.

Parts

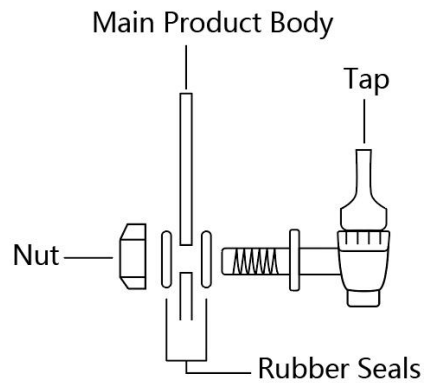


To Set Up and Use

1. Remove the Lid by pulling up on both sides.
2. Remove the Filter (in packaging) from the Reservoir and set it aside.
3. Fit the dispenser faucet to the bottom chamber.

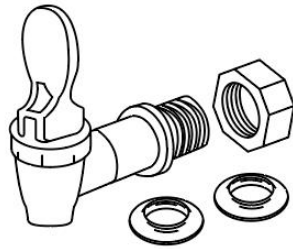
Tap Assembly Instructions

The tap consists of: the tap itself, 2 x rubber seals and a nut that tightens all pieces



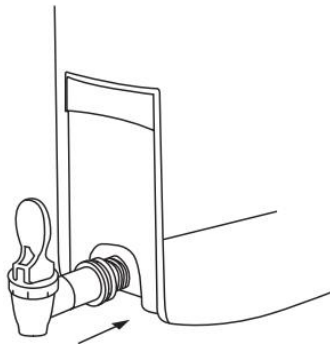
1. Separate Parts

Unscrew the nut and rubber seals from the tap and ensure you have the tap, 2 x rubber seals and a nut to fasten the pieces together.



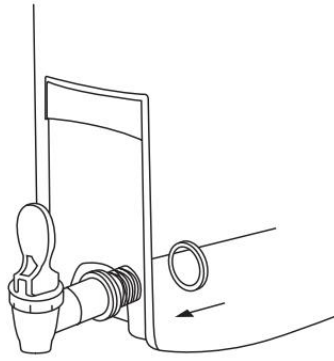
2. Insert Tap

Add 1 x rubber seal to the tap thread and insert the tap into the product main body ensuring the rubber seal is on the outside of the product body.



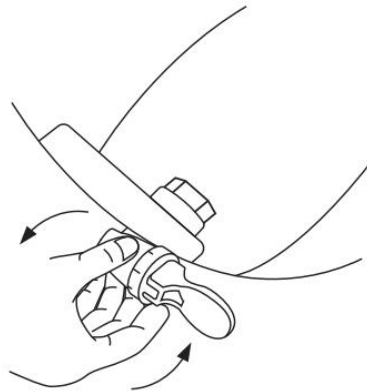
3. Ensure Water Seal

Add the second rubber seal to the tap from the inside of the main body. You should now have a rubber seal on each side of the product main body.



4. Tighten Tap

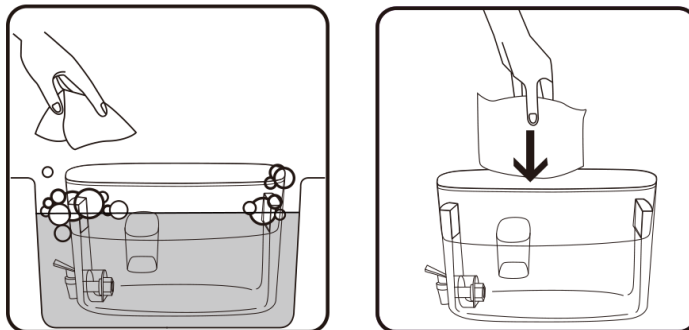
Now add the nut from the inside of the main product body and tighten with care until a firm grip is achieved and the tap does not move.



! WARNING-- Do not over-tighten as this could damage or break the main product body.

4. Hand wash the dispenser, Reservoir, and Lid with a soft cloth or sponge and a mild liquid soap. Rinse and let dry.

NOTICE: The scrubber side of a sponge will slightly scratch the surface of the dispenser, so use the soft side.



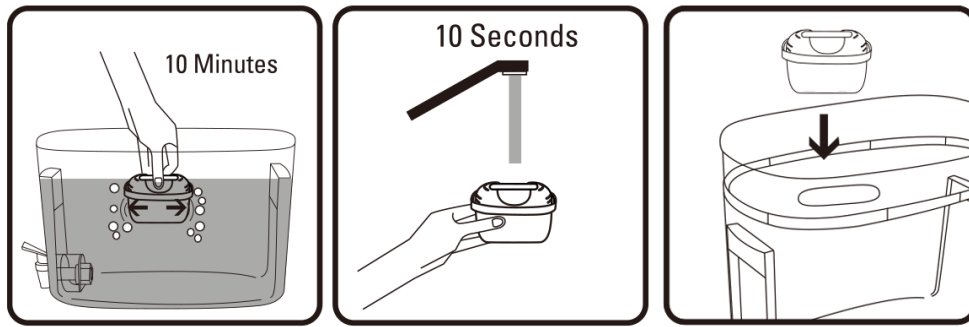
5. Replace the Reservoir into the dispenser.

6. Prepare and Install the Filter:

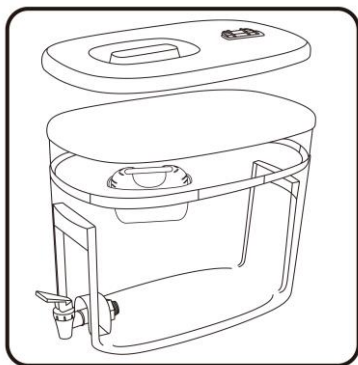
***Use cold or room temperature water.*

- a. Wash your hands and then remove the Filter from its package. Soak it upright in water for 10 minutes.
- b. Rinse the Filter under running water for 10 seconds.

c. Press it firmly down into the tube of the Reservoir to ensure a tight seal.



7. Attach the Lid.

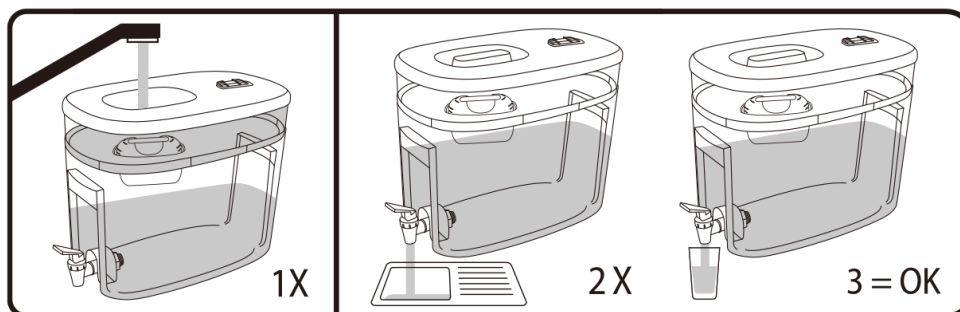


8. Fill the dispenser:

****Always use cold or room temperature water when filling the dispenser.**

Press down on the tab next to the Filter Life Indicator to open the hole in the Lid. Fill the Reservoir with water and allow all the water to filter through. Discard the water and repeat. The third dispenser of water is ready for drinking.

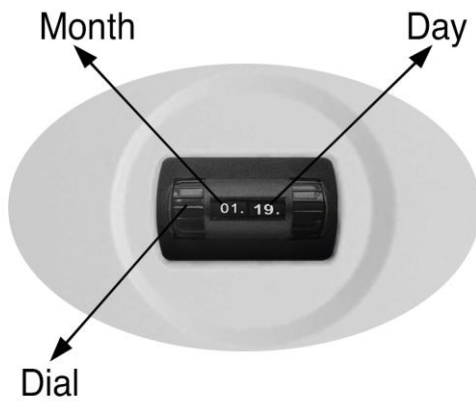
- Always allow all the water in the Reservoir to pass through the Filter before pouring the water.



9. Set the Filter Life Indicator:

Use the dials to set the Filter Life Indicator to a date 60 days in the future. If the day you wish to select is not available, select the next available day.

Filter Life Indicator



For best results:

- Keep the Filter moist by maintaining the water level in the dispenser above the bottom of the Filter.
- Store the dispenser in the refrigerator or in a cool location. If the water has been sitting for several days, discard it and refill the dispenser with fresh water.

Replacing the Filter

Replace the Filter every 60days or 160L water,pull it out of the dispenser by its loop. Repeat steps 6-8 to install a new Filter.

Care and Maintenance

NOTICE:

- Do not use harsh or abrasive cleaners or pads on the product.
- Do not place any part of the product in a dishwasher for cleaning.

To Clean:

Clean the dispenser, Reservoir and Lid as described in step 4. A small brush may be used to remove any deposits, which mostly occur near the edges of the parts.