

Assembly Instructions









K: 43474530 | T: 70211146 LINEN LOOK BAMBOO SHOE STORAGE

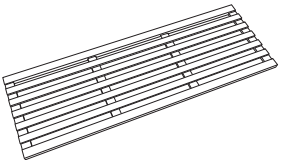
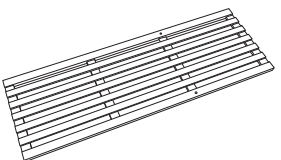
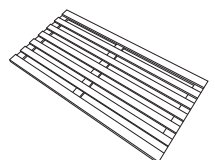
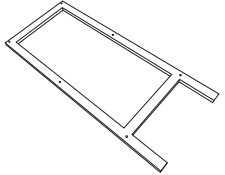
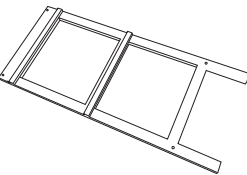
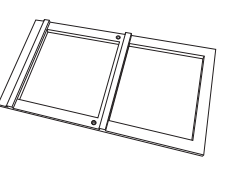
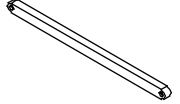
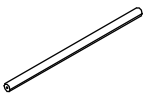
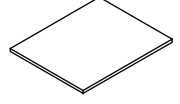
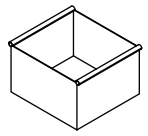
CARE INSTRUCTIONS: WIPE CLEAN WITH A SOFT DRY OR DAMP CLOTH. FOR INDOOR AND DOMESTIC USE. CHECK AND TIGHTEN ALL PARTS REGULARLY.

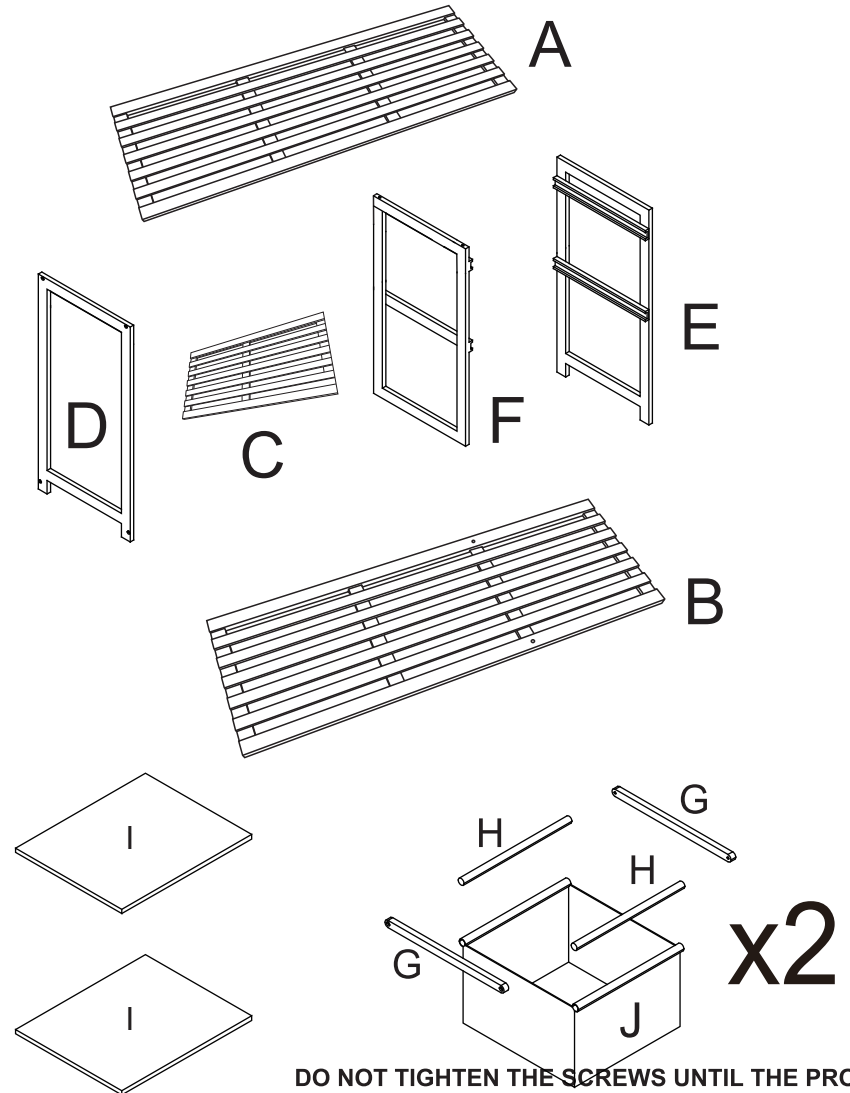
WARNING: DO NOT USE UNTIL ALL SCREWS, BOLTS AND KNOBS ARE FIRMLY SECURED. THIS PRODUCT CONTAINS SMALL PARTS AND SHARP POINTS, KEEP AWAY FROM CHILDREN AND BABIES. ADULT ASSEMBLY REQUIRED. FAILURE TO FOLLOW THESE WARNINGS COULD RESULT IN SERIOUS INJURY.

MAXIMUM SAFE LOAD: 2KGS PER CLOTH BAG AND 3KGS FOR TOP PANEL, EACH SHELF 2 KGS.

Hardware list

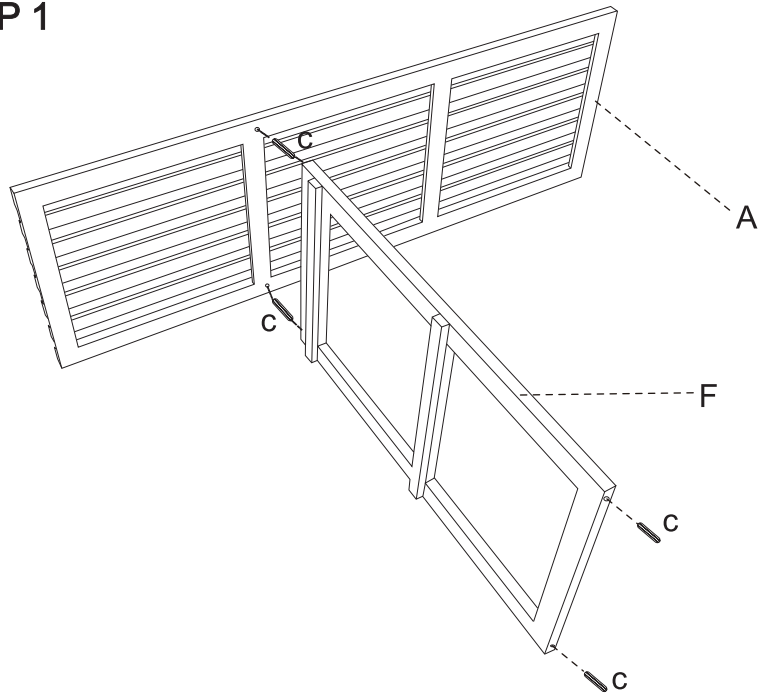
	a	5X35mm	12PCS		e		2PCS
	b		1PCS		f		2PCS
	c	6X20mm	4PCS		g	4X30mm	2PCS
	d	4X25mm	8PCS		h		2PCS

	A	1 PCS		B	1 PCS		C	1 PCS
	D	1 PCS		E	1 PCS		F	1 PCS
	G	4 PCS		H	4 PCS		I	2 PCS
				J	2 PCS			



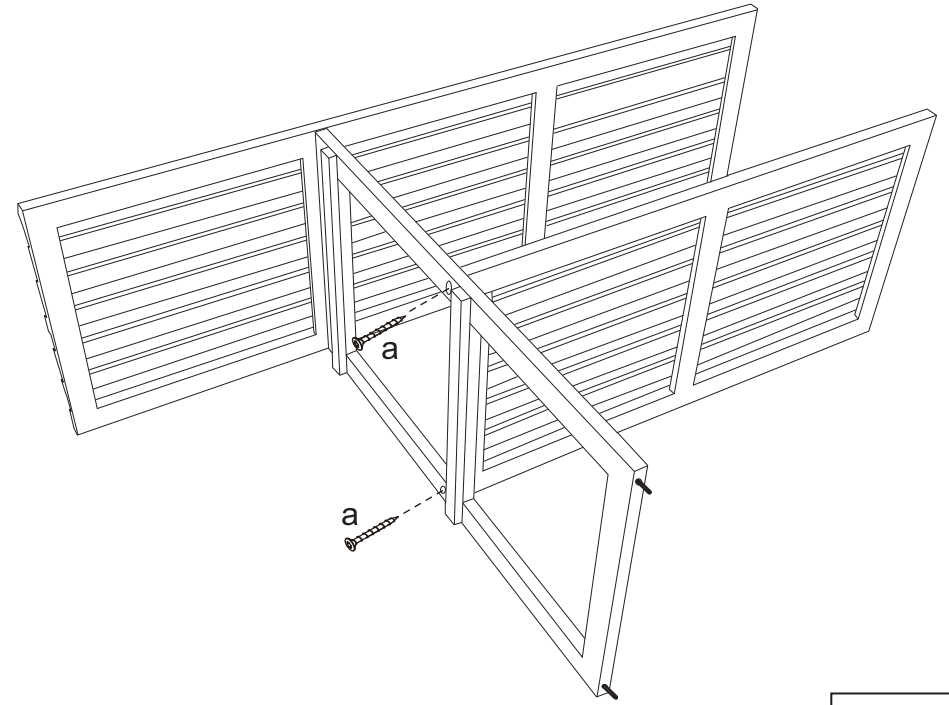
DO NOT TIGHTEN THE SCREWS UNTIL THE PRODUCT IS FULLY ASSEMBLED. FOR INDOOR USE ONLY.


STEP 1



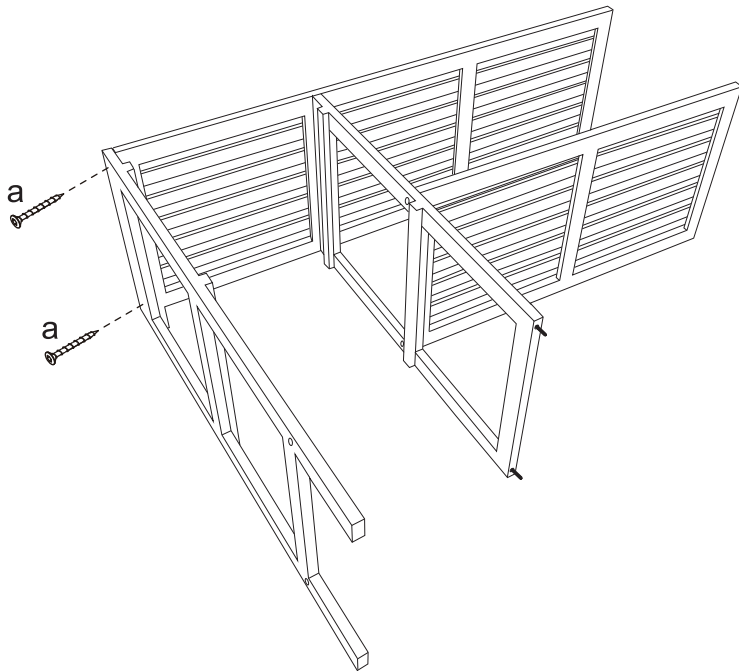
 c X 4

STEP 2



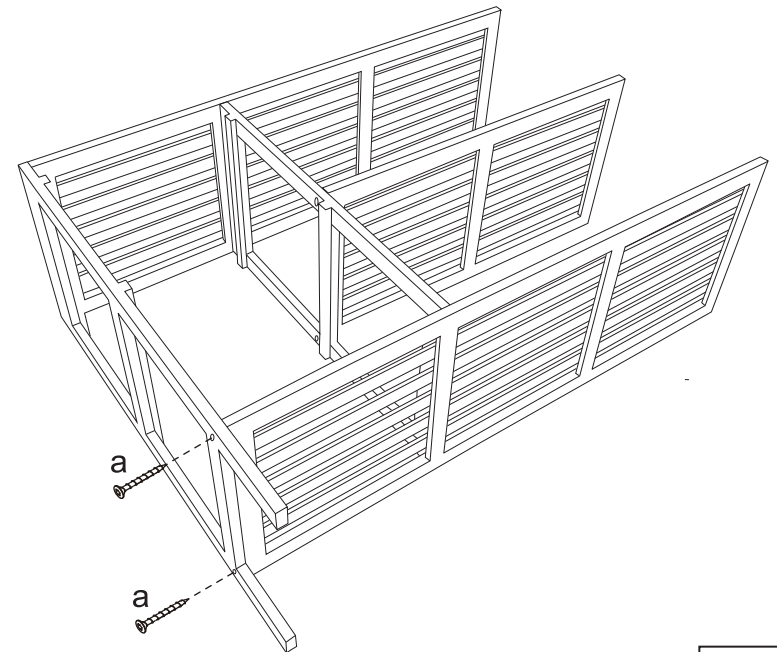
 a X 2


STEP 3



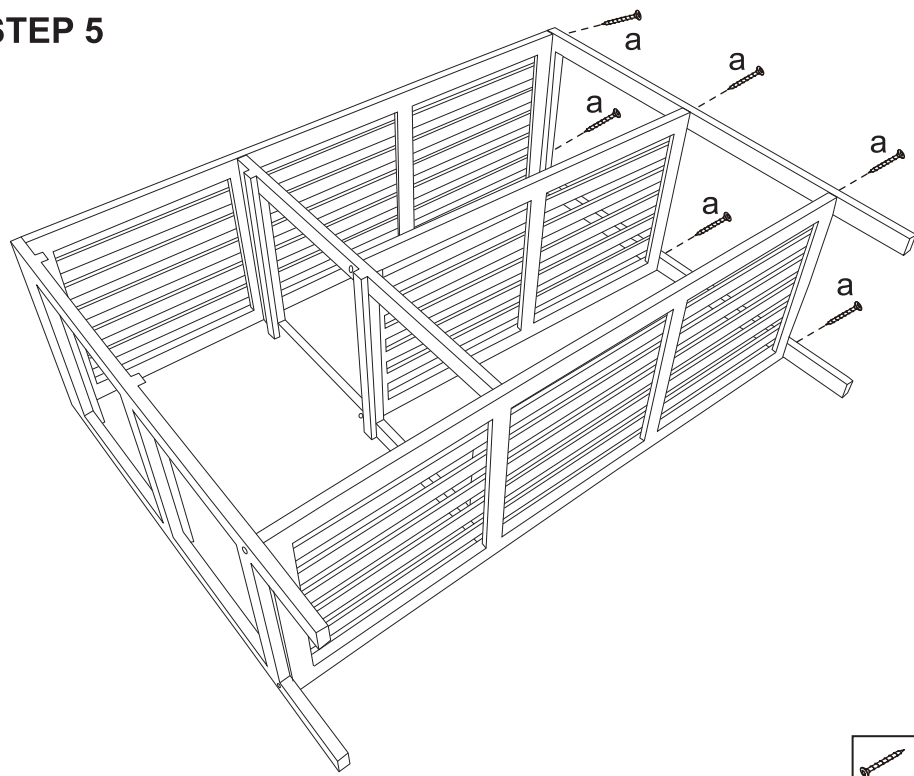
 a X 2


STEP 4



 a X 2

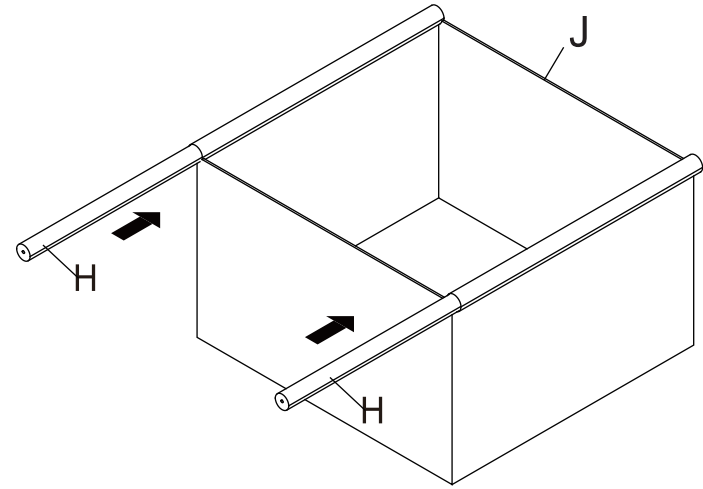
STEP 5



 a X 6

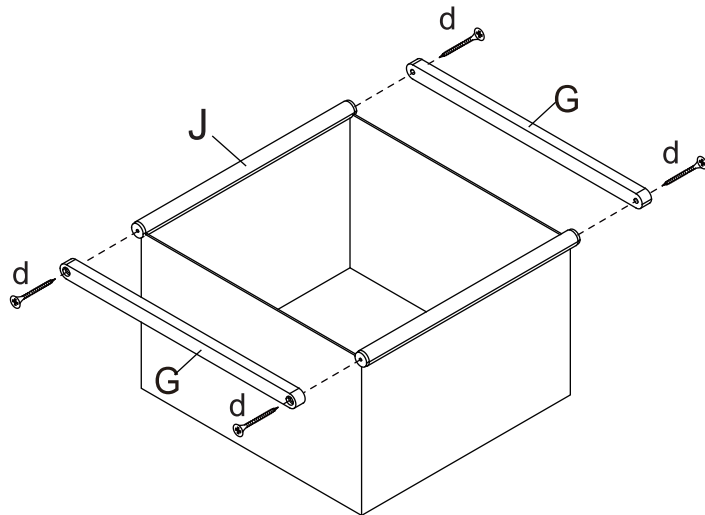
STEP 6


x2



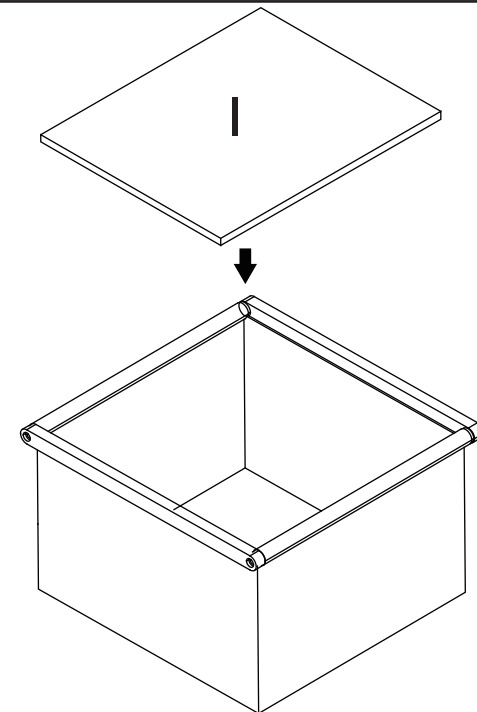
STEP 7

x2

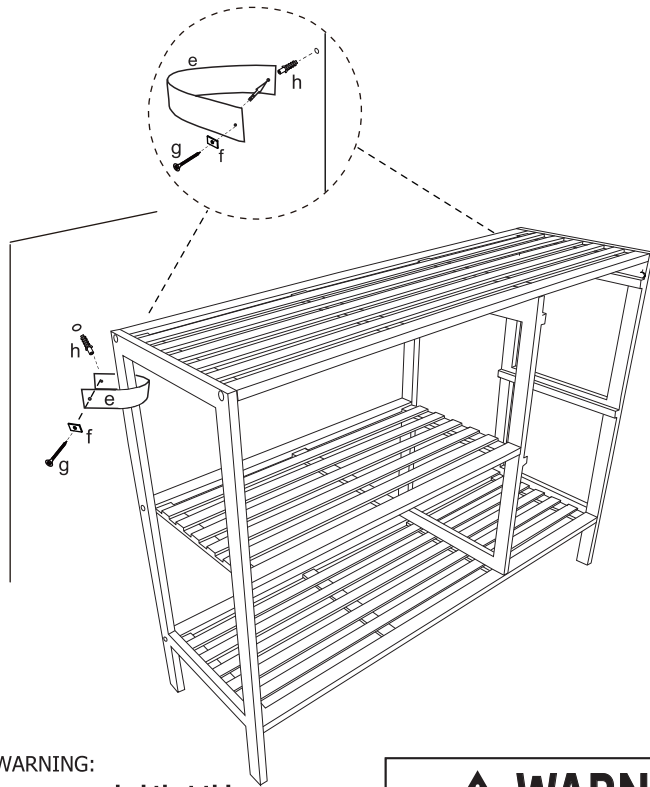


 d X 8

STEP 8



STEP 9



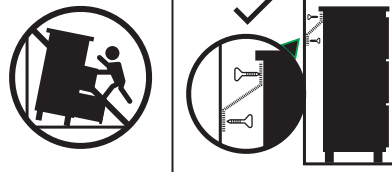
TOPPLING FURNITURE WARNING:

- It is strongly recommended that this product is permanently fixed to the wall.
- Please seek professional advice if you are in doubt of what fixing device to use.
- Regularly check that anchors are securely maintained.
- Use safety drawer locks to prevent children climbing.
- Stability of tall items may be affected by thick pile carpet or uneven floors .
- Do not place unanchored televisions on furniture .

CAUTION: for your safety when attaching the anchor fixings, please note the following:

- Check any electrical wires or plumbing inside the wall before drilling any holes (if you are unsure please seek professional advice from a qualified tradesperson).

WARNING




Children have died from furniture tipover.

- ALWAYS secure it with an anchor device.
- NEVER allow children to stand, climb or hang on drawers, doors, or shelves.
- NEVER open more than one drawer at a time.
- Place heavy items down low.

NEVER put a TV on this furniture

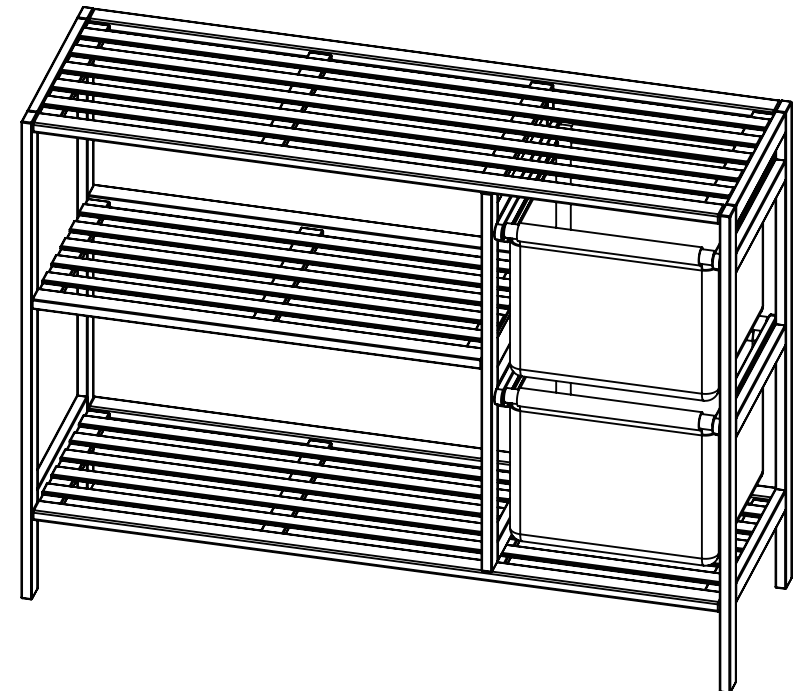
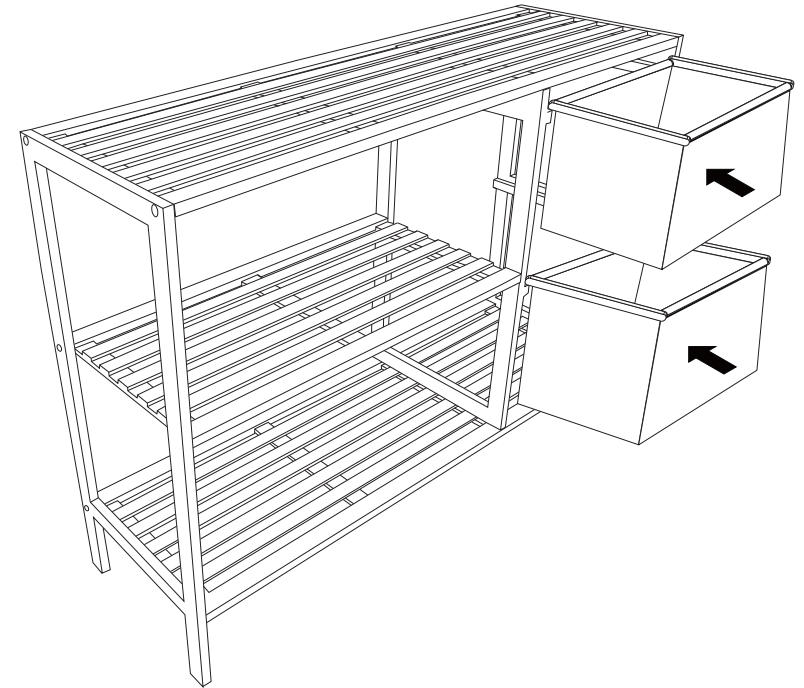


This is a permanent label. Do not remove!

 g X 2  h X 2

 e X 2  f X 2

STEP 10



WARNING: PLEASE SECURE YOUR FURNITURE WITH THE SUPPLIED WALL FIXING. SCAN THE CODE FOR MORE INFORMATION.

