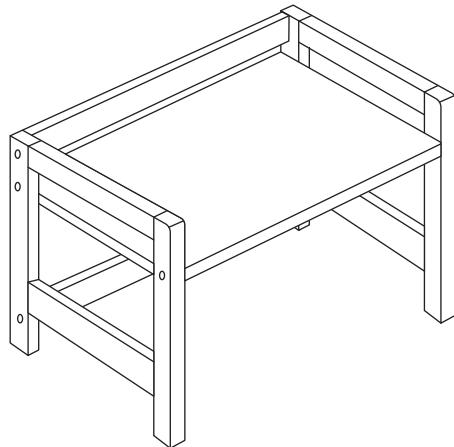


INSTALLATION INSTRUCTION

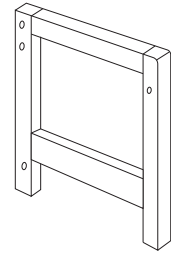
K:43475094|T:70211948

BAMBOO OVER M/WAVE SHELF

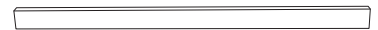


Parts List

A x2



B x2



C x1



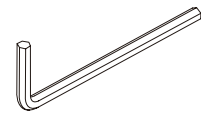
D x8



E x4

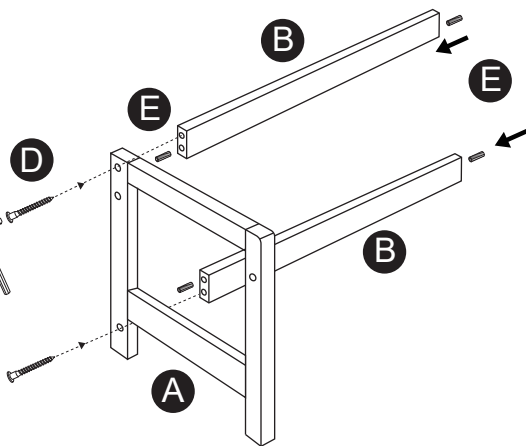


F x1

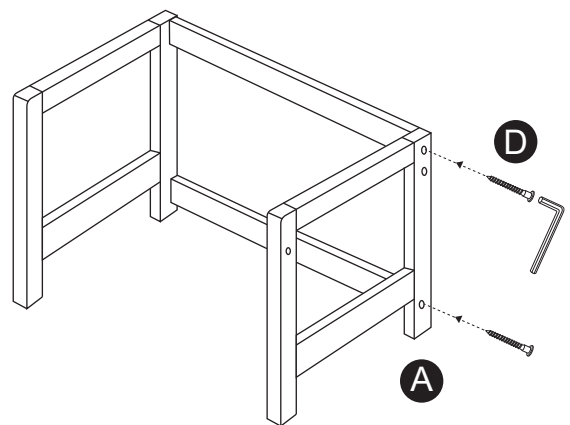


Installation Steps

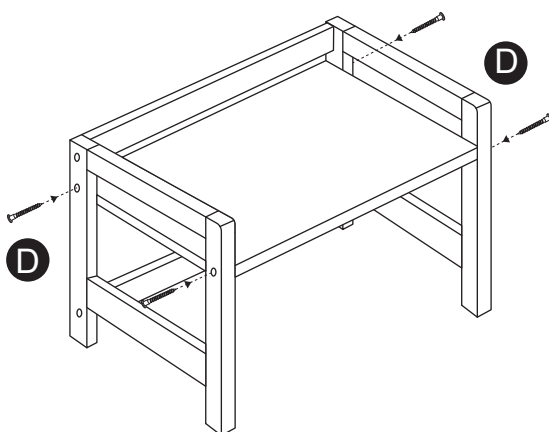
①



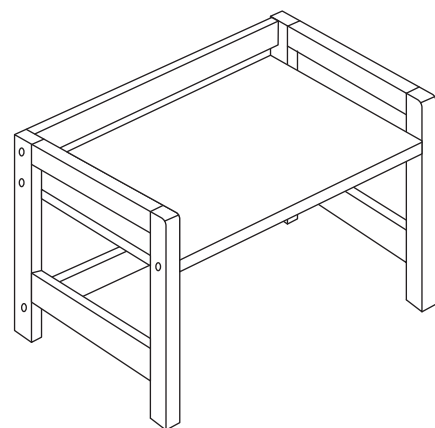
②



③



④



Note: If the bottom is uneven during installation, use a wrench to adjust the screw tightness to level it.