

# Assembly Instructions










**K: 43478972 | T: 70220063 ISLA LAUNDRY HAMPER**








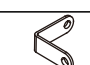

**CARE INSTRUCTION:** WIPE CLEAN WITH A SOFT DRY OR DAMP CLOTH. KEEP AWAY FROM WATER AND DIRECT SUNLIGHT. FOR INDOOR AND DOMESTIC USE. CHECK AND TIGHTEN ALL PARTS REGULARLY.

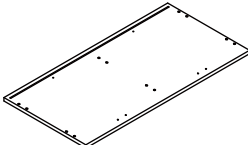
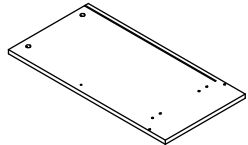
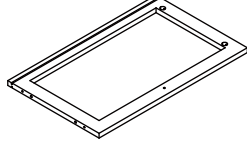
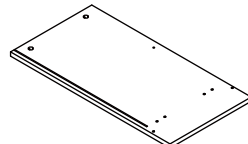
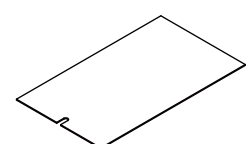
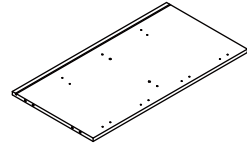
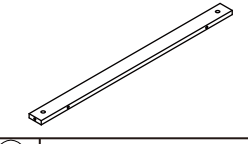
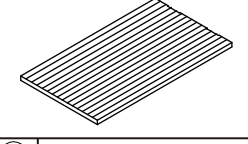
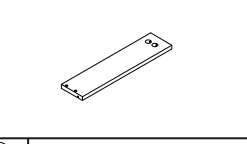
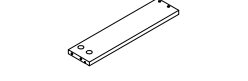
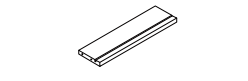
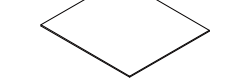
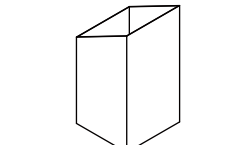
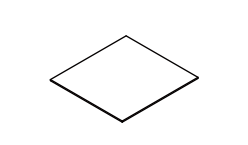
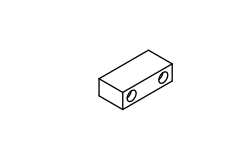
**WARNING:** THIS PRODUCT MUST BE ATTACHED TO THE WALL TO HELP PREVENT TIPPING OVER. DO NOT STAND OR SIT ON THE UNIT. DO NOT LEAN ON THE PRODUCT. DO NOT DRAG THE PRODUCT. USE ONLY ON A FLAT SURFACE. DO NOT USE UNTIL ALL SCREWS, BOLTS AND KNOBS ARE FIRMLY SECURED. THIS PRODUCT CONTAINS SMALL PARTS AND SHARP POINTS, KEEP AWAY FROM CHILDREN AND BABIES. ADULT ASSEMBLY REQUIRED. FAILURE TO FOLLOW THESE WARNINGS COULD RESULT IN SERIOUS INJURY.

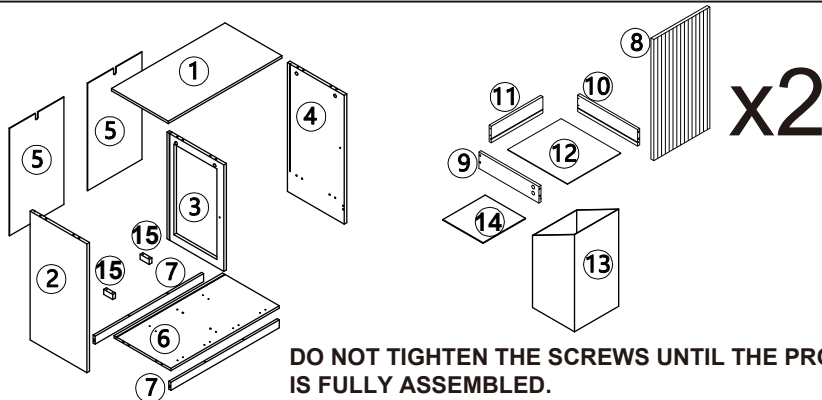
**MAXIMUM SAFE LOAD: 10KG FOR TOP PANEL, 7KG FOR EACH CLOTH BAG.**

## Hardware list

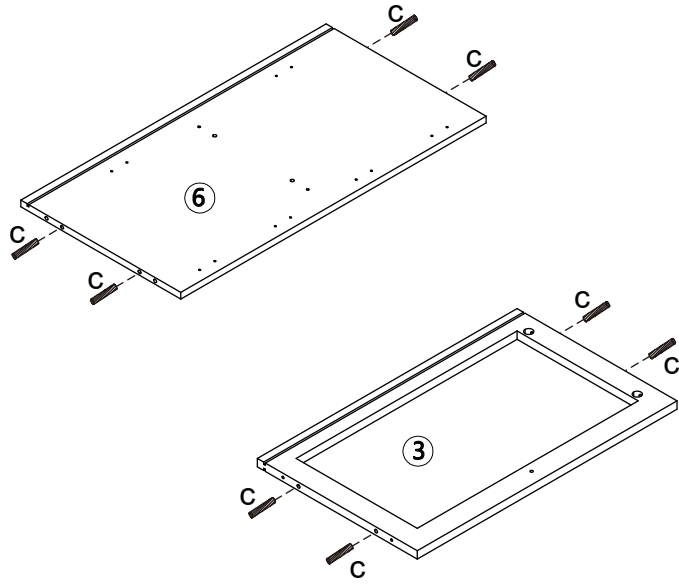
	a	6X35mm	22PCS
	b	15X10mm	22PCS
	c	6X30mm	12PCS
	d	4X35mm	10PCS
	e		2PCS
	f	3X12mm	32PCS
	g		4PCS
	h		2PCS
	i	4X40mm	6PCS

	j		2PCS
	k	4X12mm	2PCS
	l	3X14mm	4PCS
	m	4X25mm	4PCS
	n		2PCS
	o		2PCS
	r		1PC
	s		4PCS
	Tool required Philips Head Screw Driver (Not Provided)		

		
① 1 PC	② 1 PC	③ 1 PC
		
④ 1 PC	⑤ 2 PCS	⑥ 1 PC
		
⑦ 2 PCS	⑧ 2 PCS	⑨ 2 PCS
		
⑩ 2 PCS	⑪ 2 PCS	⑫ 2 PCS
		
⑬ 2 PCS	⑭ 2 PCS	⑮ 2 PCS

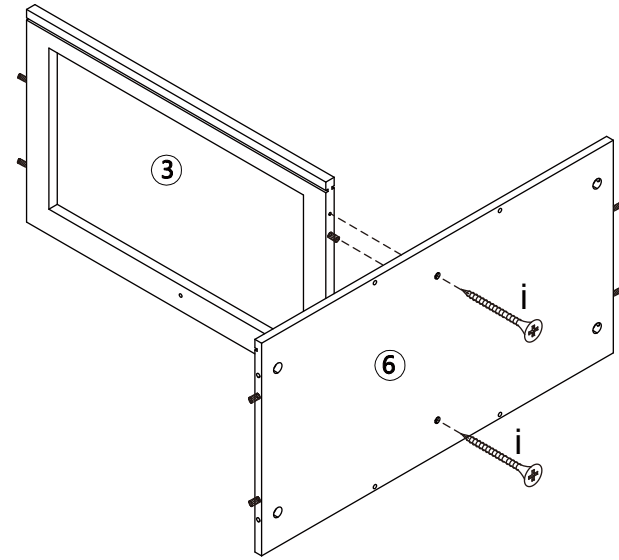


### STEP 1



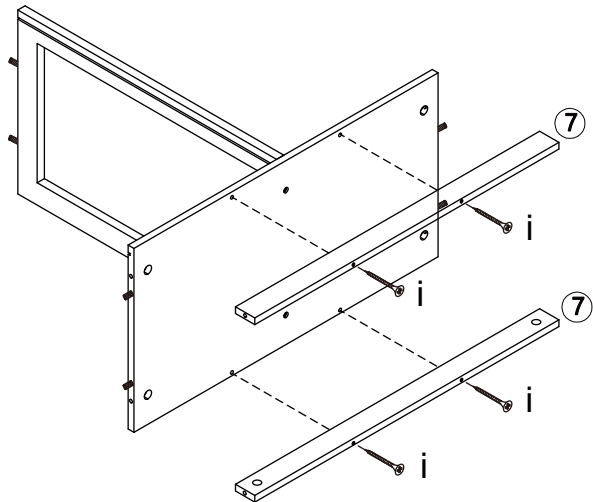
c X 8

### STEP 2



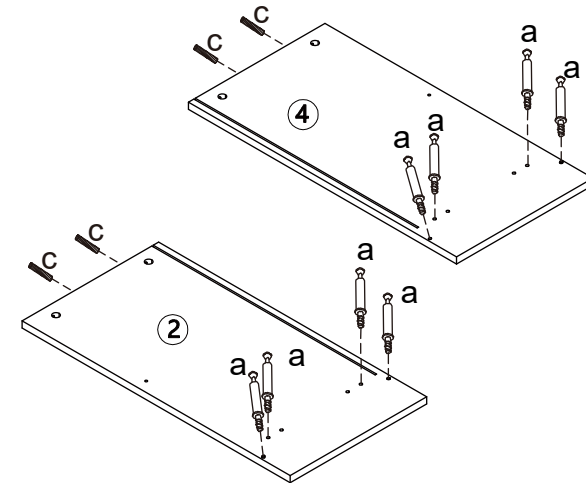
i X 2

### STEP 3

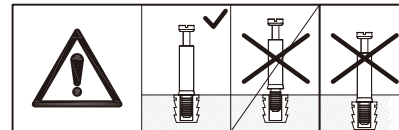


i X 4

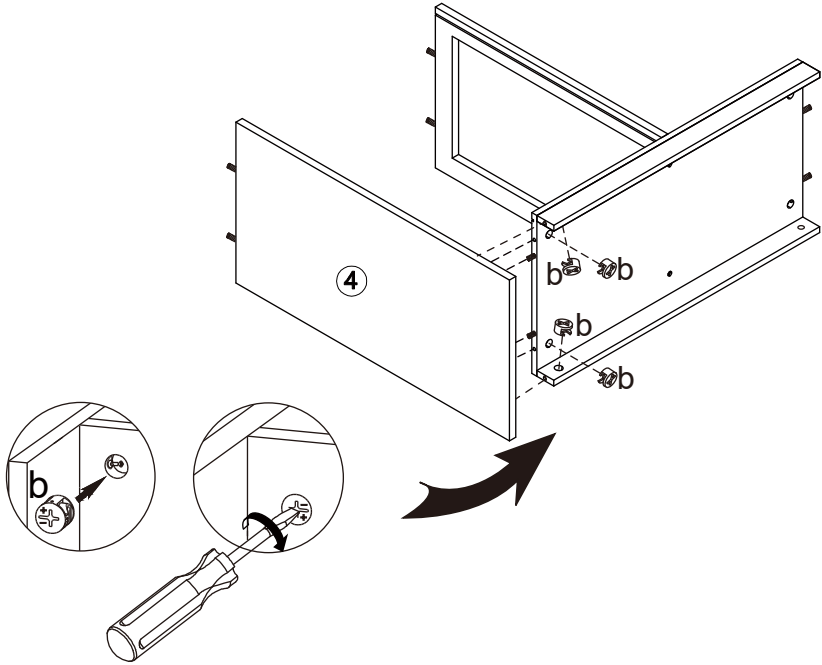
### STEP 4



a X 8 c X 4

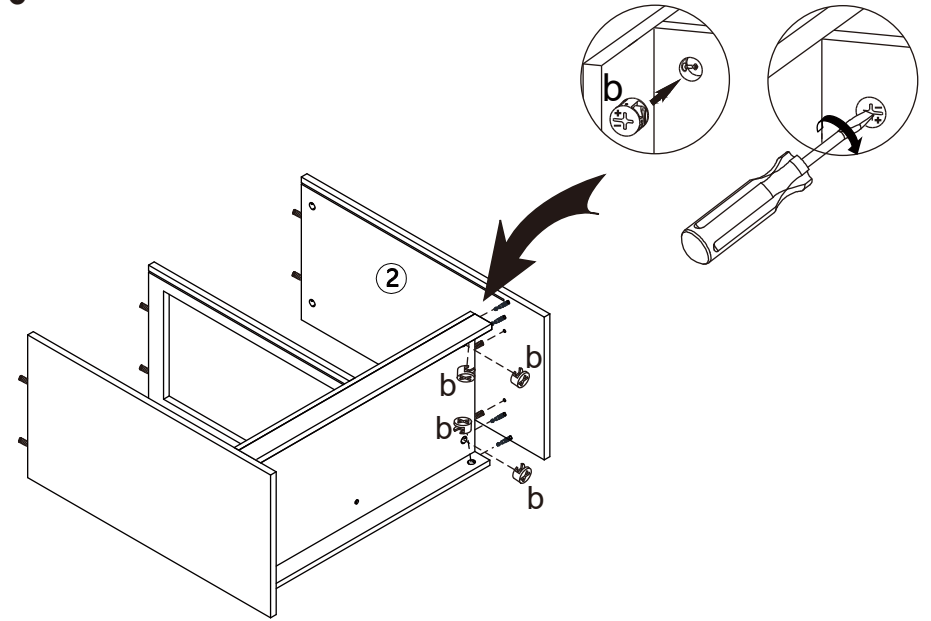



### STEP 5



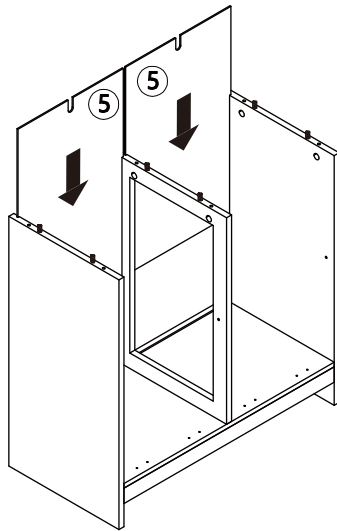
 b X 4

### STEP 6

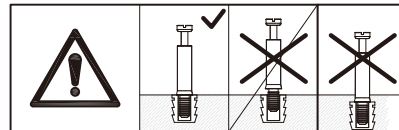
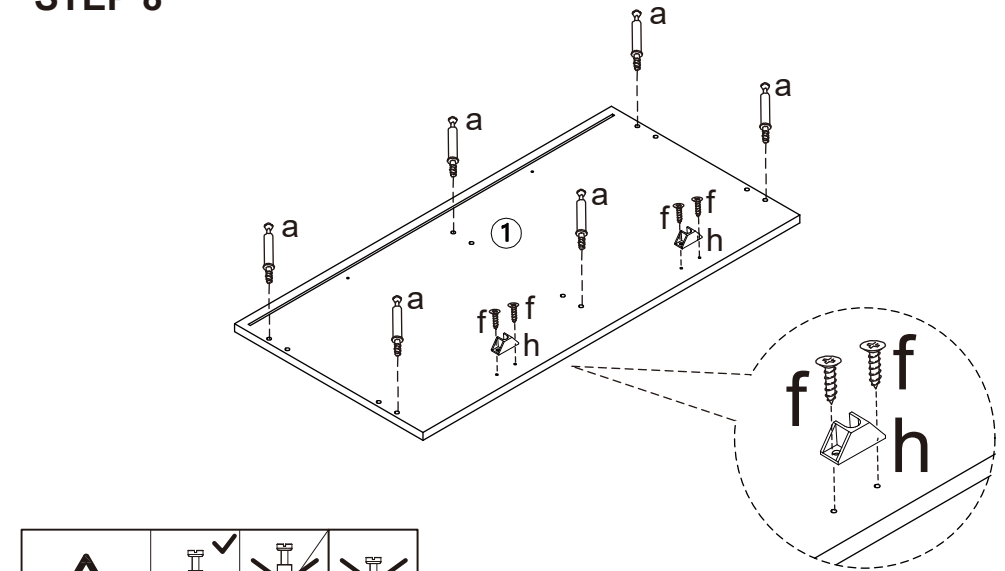


 b X 4

### STEP 7

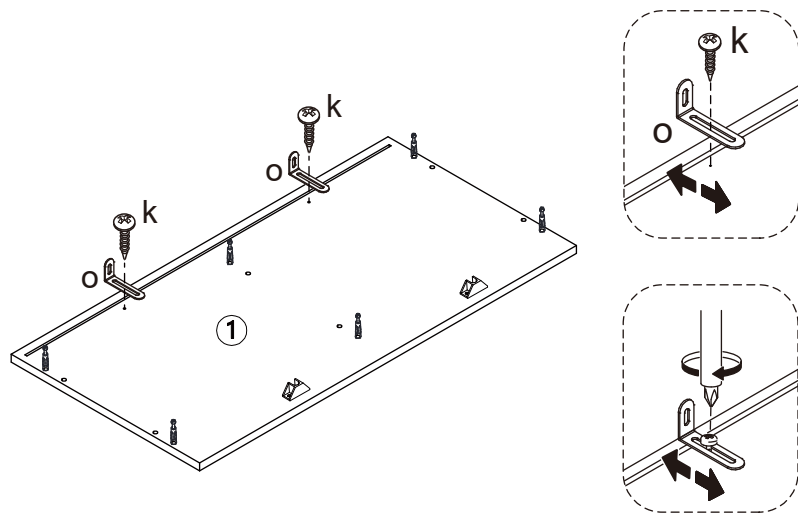




### STEP 8



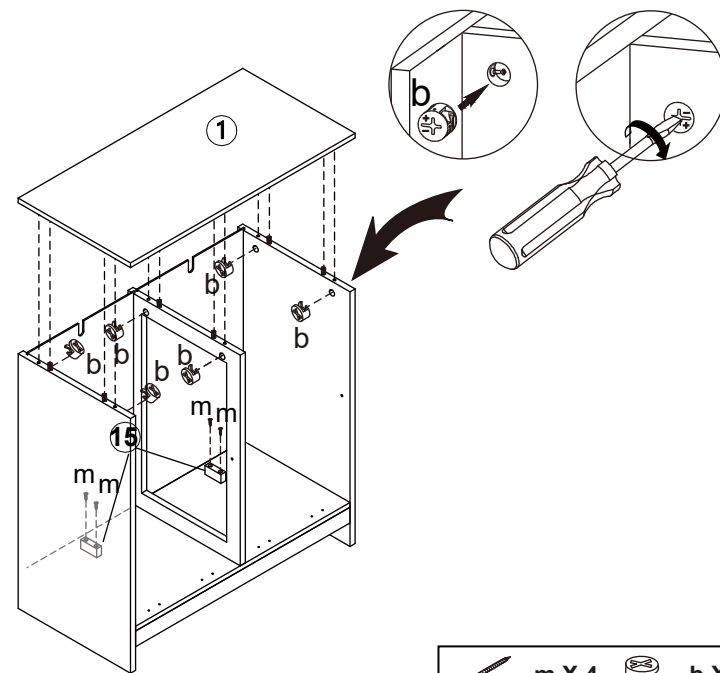
 a X 6  h X 2  f X 4

### STEP 9



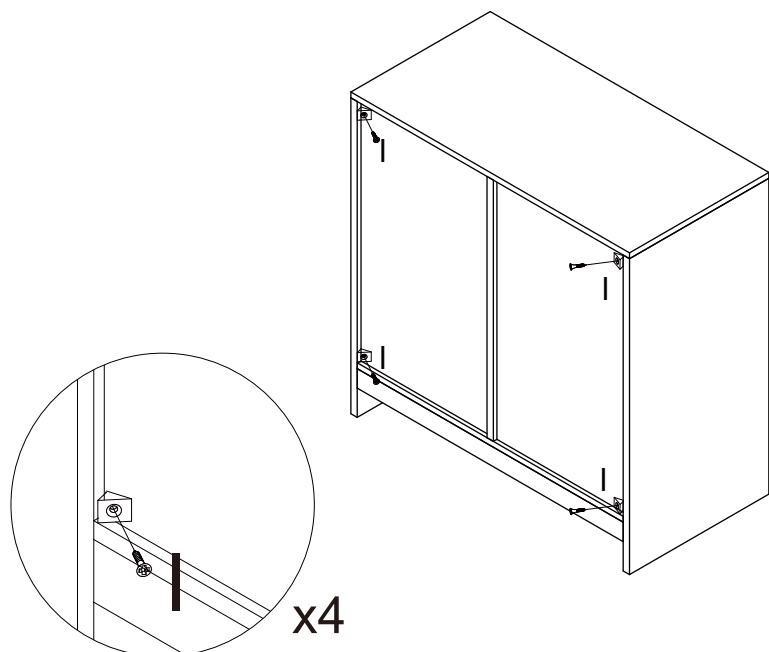
 k X 2    o X 2

### STEP 10



 m X 4    b X 6

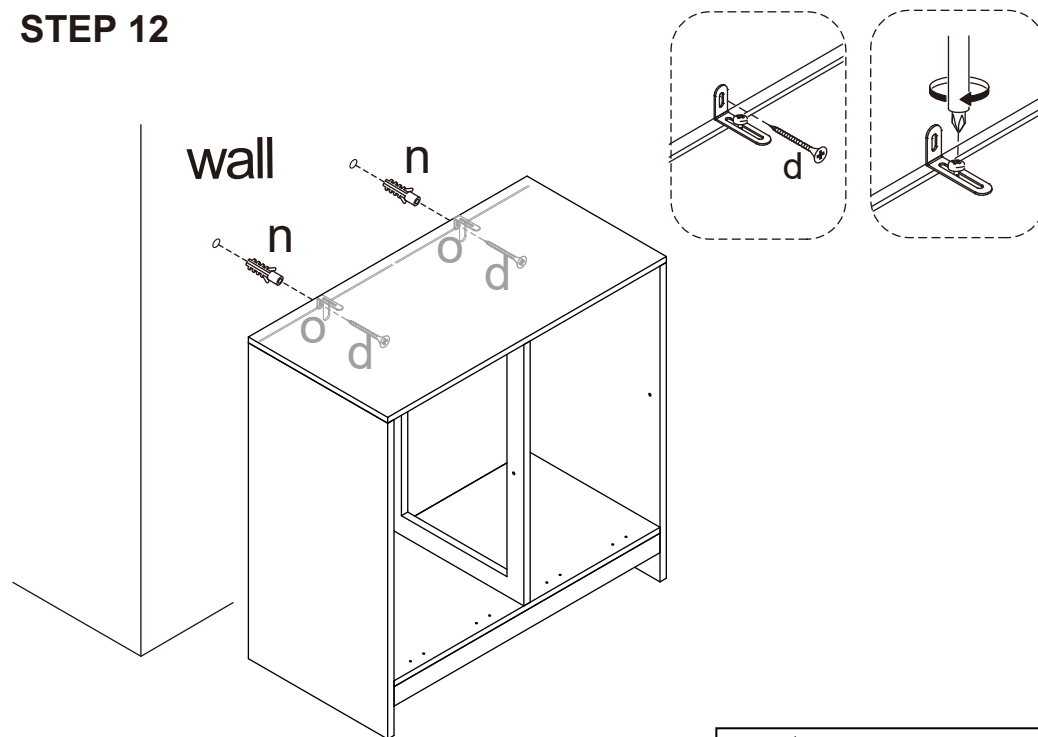
### STEP 11



x4

 l X 4

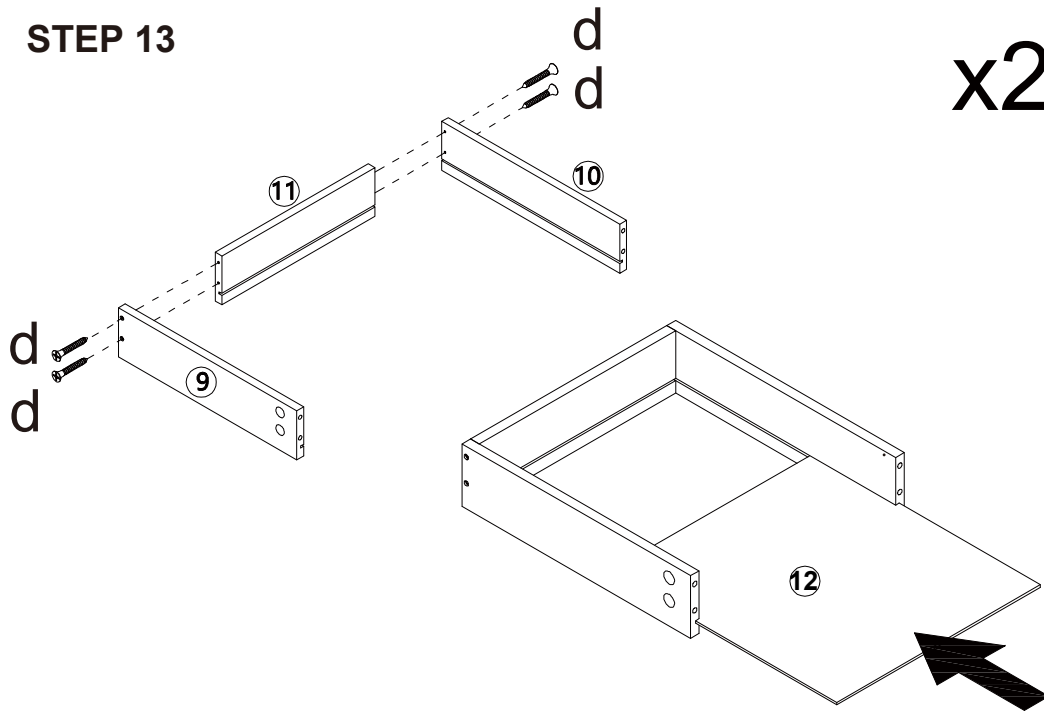
### STEP 12



 d X 2    n X 2

STEP 13

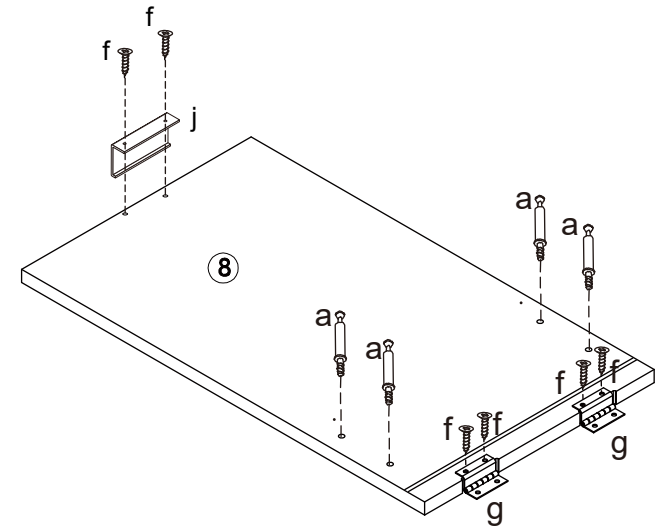
x2



d X 8

STEP 14

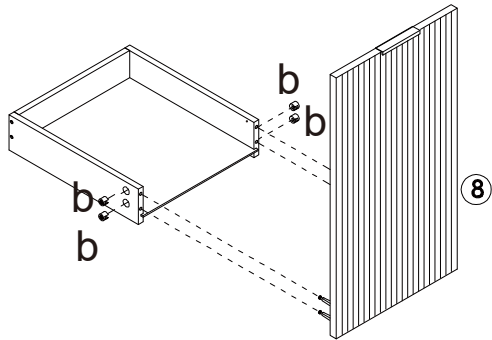
x2



j X 2 a X 8 f X 12 g X 4

STEP 15

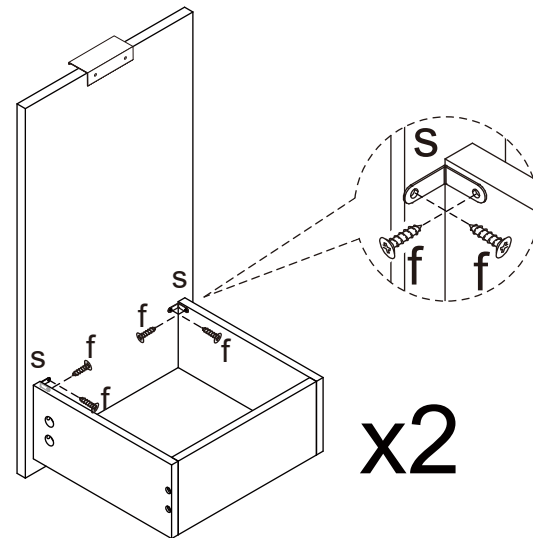
x2



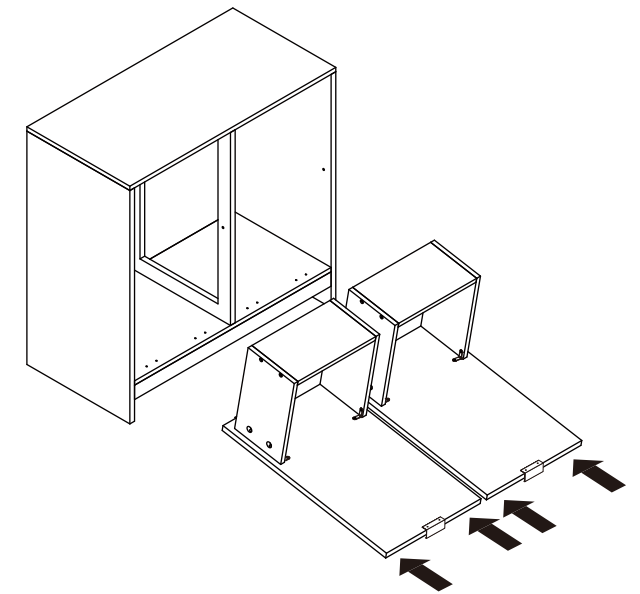
b X 8

STEP 16

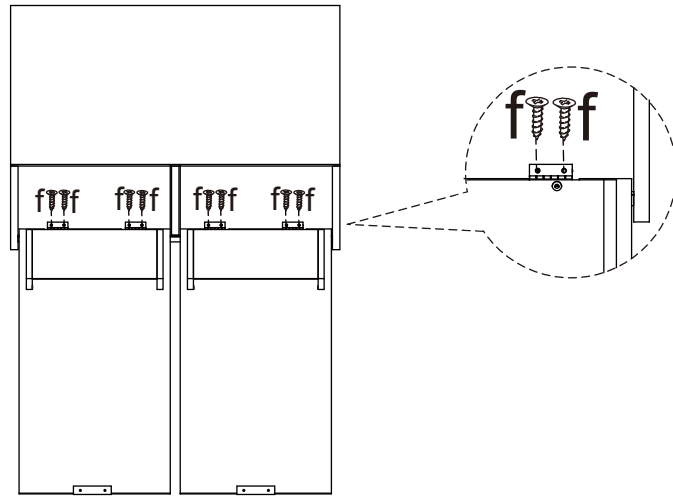
x2



f X 8 s X 4

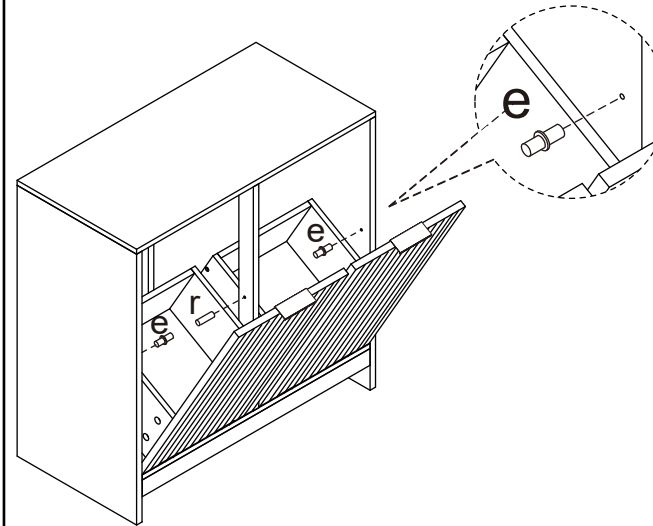


## STEP 17



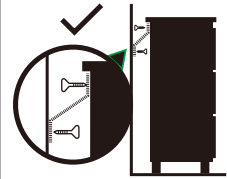
f X 8

## STEP 18



e X 2   r X 1

## ⚠ WARNING



Children have died from furniture tipover.

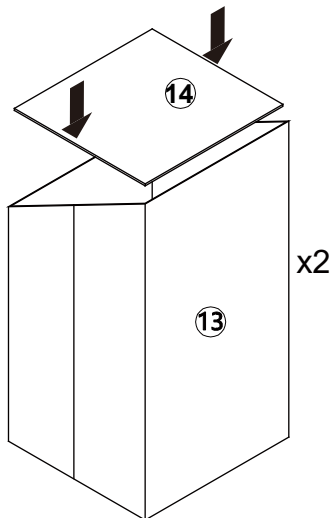
- ALWAYS secure it with an anchor device.
- NEVER allow children to stand, climb or hang on drawers, doors, or shelves.
- NEVER open more than one drawer at a time.
- Place heavy items down low.

NEVER put a TV on this furniture

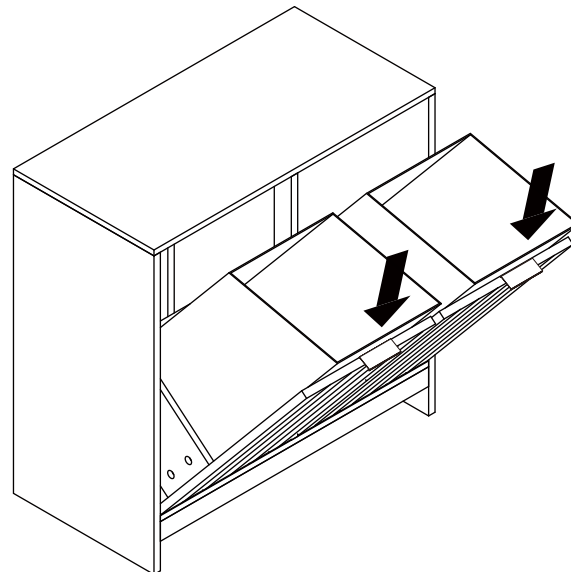


This is a permanent label. Do not remove!

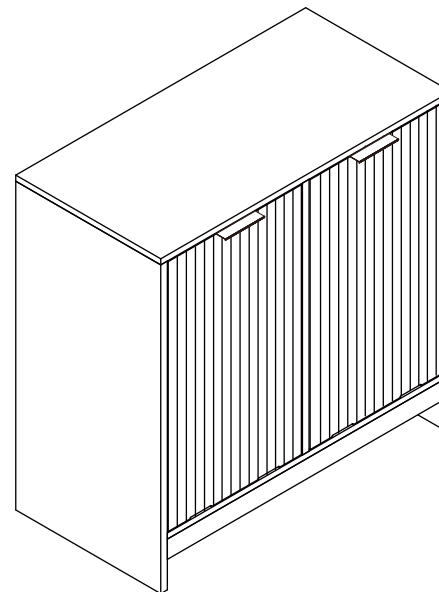
## STEP 19



x2



## STEP 20



TOPPLING FURNITURE WARNING:

- It is strongly recommended that this product is permanently fixed to the wall.
- Please seek professional advice if you are in doubt of what fixing device to use.
- Regularly check that anchors are securely maintained.
- Use safety drawer locks to prevent children climbing.
- Stability of tall items may be affected by thick pile carpet or uneven floors .
- Do not place unanchored televisions on furniture .

**CAUTION:** for your safety when attaching the anchor fixings, please note the following:

- Check any electrical wires or plumbing inside the wall before drilling any holes (if you are unsure please seek professional advice from a qualified tradesperson).



WARNING: PLEASE SECURE YOUR FURNITURE WITH THE SUPPLIED WALL FIXING. SCAN THE CODE FOR MORE INFORMATION.

