

# Assembly Instructions





**K:43479061 | T: 70220155 BAMBOO AND LINEN LOOK 6 DRAWER**






**CARE INSTRUCTIONS:** WIPE CLEAN WITH A SOFT DRY OR DAMP CLOTH. KEEP AWAY FROM WATER AND DIRECT SUNLIGHT. FOR INDOOR AND DOMESTIC USE. CHECK AND TIGHTEN ALL PARTS REGULARLY.

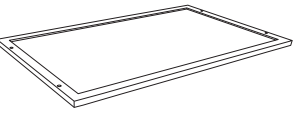
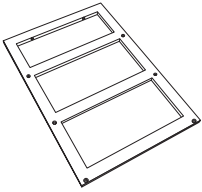
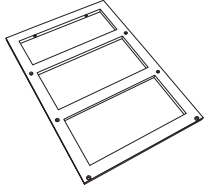
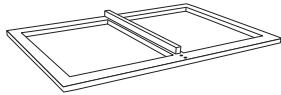
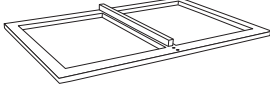
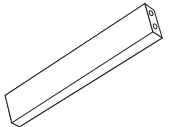
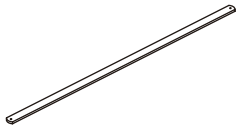
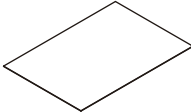
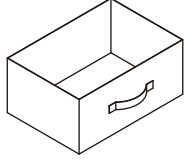
**WARNING:** DO NOT STAND OR SIT ON THE UNIT. DO NOT LEAN ON THE PRODUCT. DO NOT USE UNTIL ALL SCREWS, BOLTS AND KNOBS ARE FIRMLY SECURED. THIS PRODUCT CONTAINS SMALL PARTS AND SHARP POINTS, KEEP AWAY FROM CHILDREN AND BABIES. ADULT ASSEMBLY REQUIRED. FAILURE TO FOLLOW THESE WARNINGS COULD RESULT IN SERIOUS INJURY.

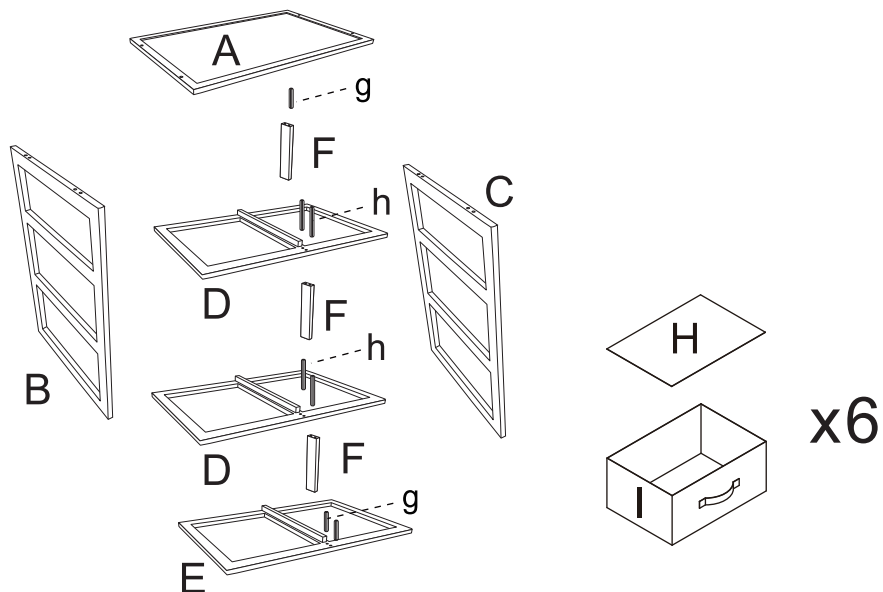
**MAXIMUM SAFE LOAD:TOP PANEL: 5KG, EACH CLOTH DRAWER: 2KG.**

## Hardware list

	a	5X35mm	16PCS
	b	3X15mm	4PCS
	c	4X30mm	2PCS
	d		2PCS

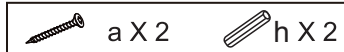
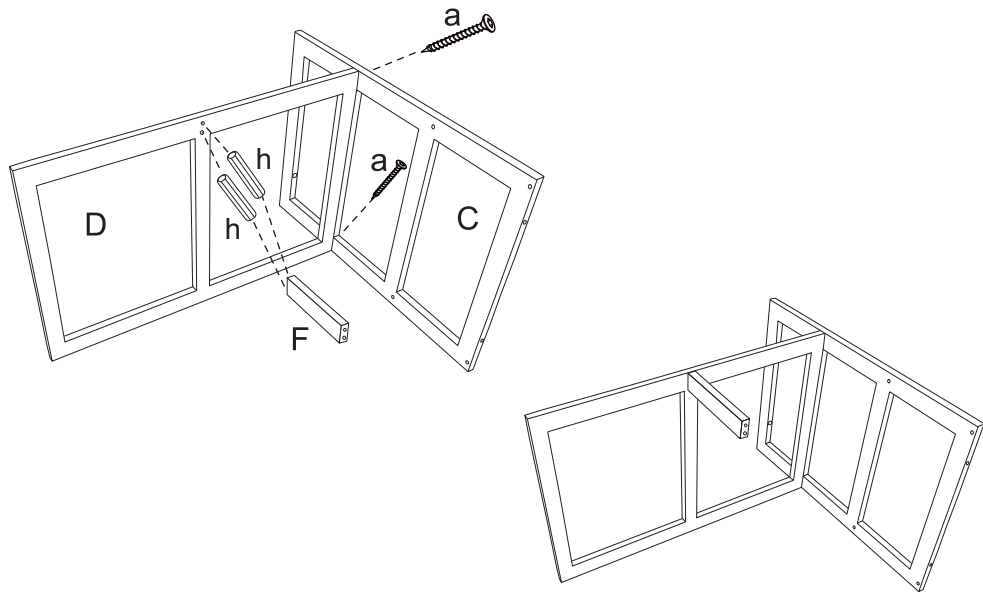
	e		2PCS
	f		2PCS
	g	6X20mm	11PCS
	h	6X40mm	4PCS
	i		1PC

	A	1 PC		B	1 PC		C	1 PC
	D	2 PCS		E	1 PC		F	3 PCS
	G	2 PCS		H	6 PCS		I	6 PCS

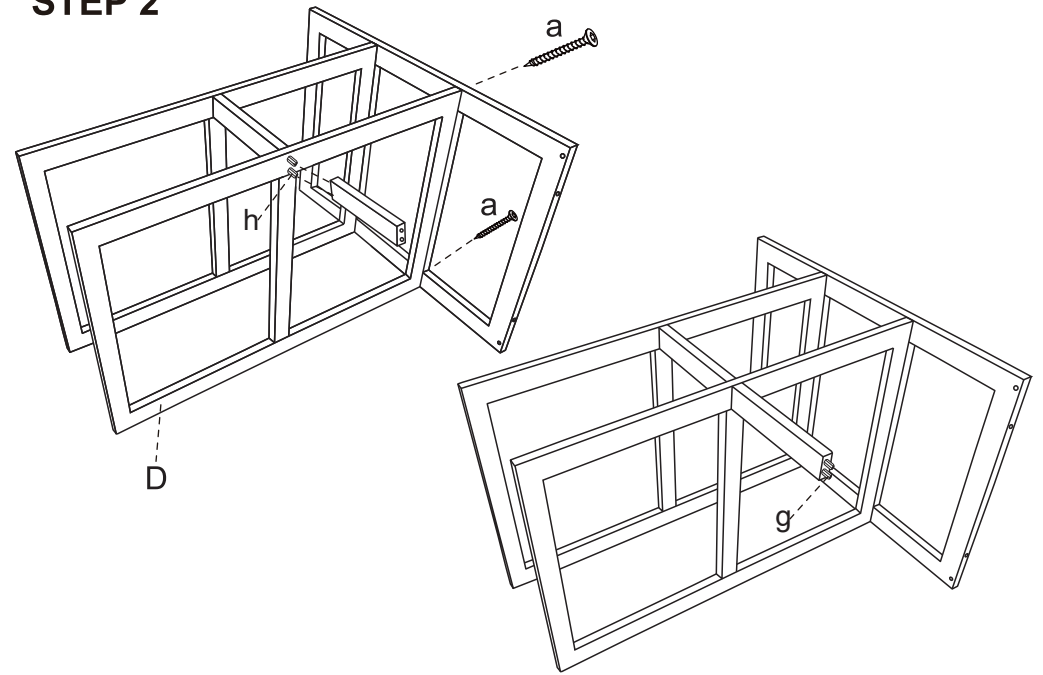


**DO NOT TIGHTEN THE SCREWS UNTIL THE PRODUCT IS FULLY ASSEMBLED.**

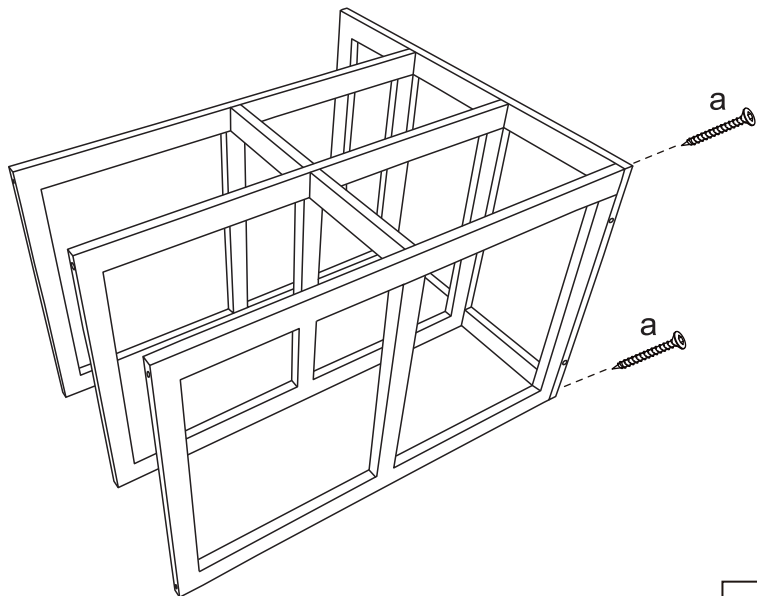
### STEP 1



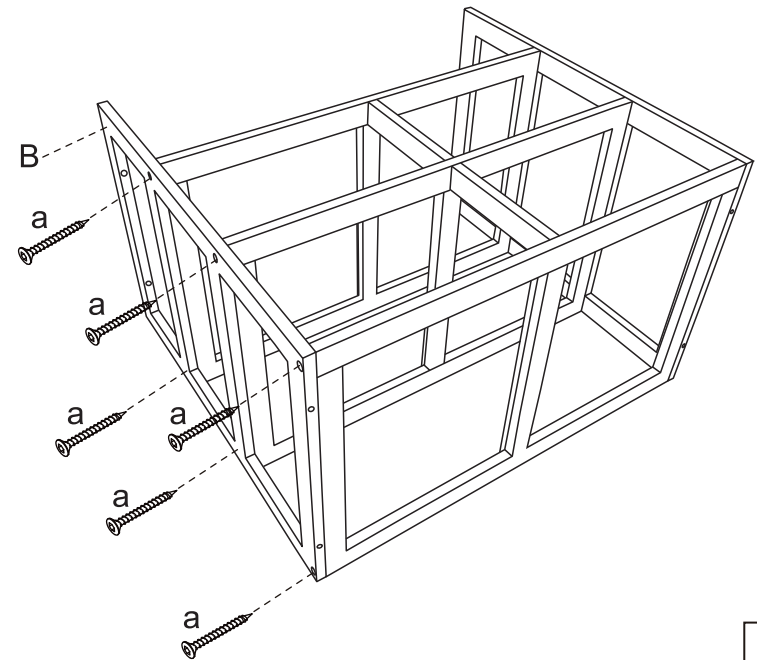
### STEP 2



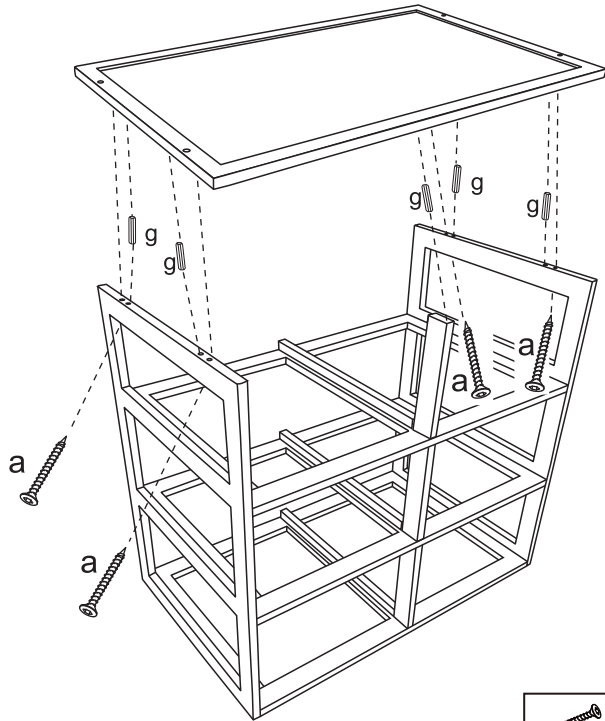
### STEP 3



### STEP 4

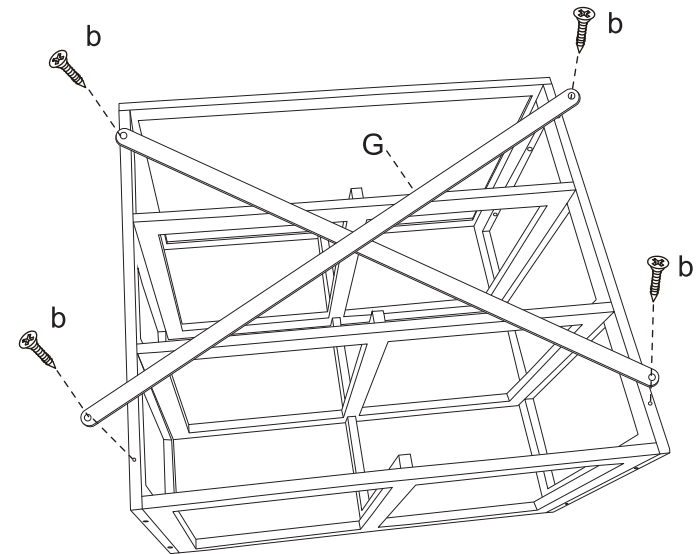



## STEP 5



 a X 4     g X 5

## STEP 6



 b X 4

## STEP 7

**▲ WARNING**




Children have died from furniture tipover.

- ALWAYS secure it with an anchor device.
- NEVER allow children to stand, climb or hang on drawers, doors, or shelves.
- NEVER open more than one drawer at a time.
- Place heavy items down low.

NEVER put a TV on this furniture 

This is a permanent label. Do not remove!

### TOPPLING FURNITURE WARNING:

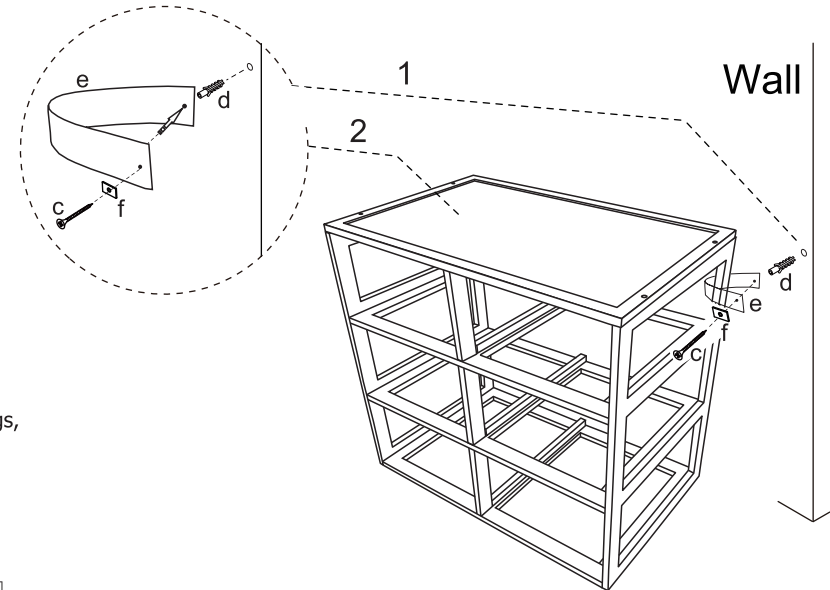
- It is strongly recommended that this product is permanently fixed to the wall.
- Please seek professional advice if you are in doubt of what fixing device to use.
- Regularly check that anchors are securely maintained.
- Use safety drawer locks to prevent children climbing.
- Stability of tall items may be affected by thick pile carpet or uneven floors .
- Do not place unanchored televisions on furniture .



**CAUTION:** for your safety when attaching the anchor fixings, please note the following:



- Check any electrical wires or plumbing inside the wall before drilling any holes (if you are unsure please seek professional advice from a qualified tradesperson).



WARNING: PLEASE SECURE YOUR FURNITURE WITH THE SUPPLIED WALL FIXING. SCAN THE CODE FOR MORE INFORMATION.



 c X 2     e X 2

 d X 2     f X 2

**STEP 8**

