

Size:220*165mm
folded:110*165mm

front side

back side

Cleaning & Maintenance:

- 1) Turn the appliance off before you start cleaning it.
- 2) Do not immerse the appliance in water. Clean the surface of the appliance with a dry cloth or a cloth moistened with water.
- 3) Do not use any lubricant, detergent, polishing agents, alcohol, steel wool, abrasive cleansers, chemicals or corrosive liquids on this appliance.

Battery and appliance disposal:

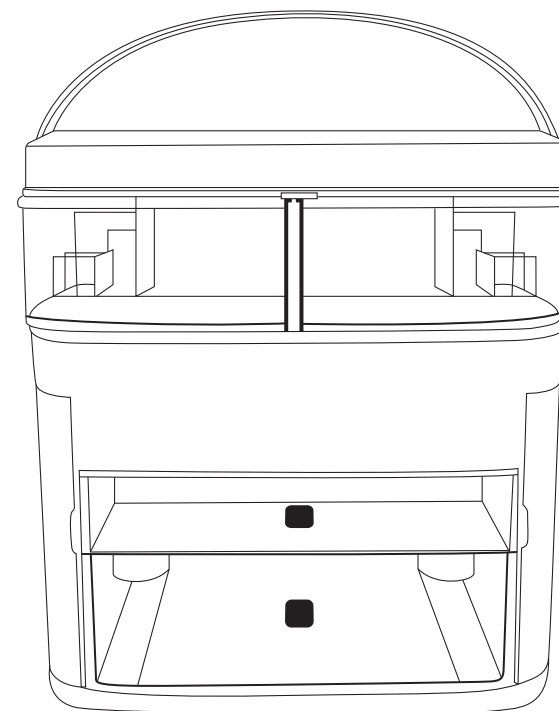
This appliance has a lithium battery. Batteries contain substances harmful to the environment; please do not dispose of the appliance with normal household waste. Instead, hand it over to an official recycling point.

Trouble Shooting

Problem	Possible Cause	Solution
LED Light is not bright enough or it does not turn on	The battery is running low or is out of power	Charge the appliance as guided

anko

K: 43-482-832 | T: 70-232-967
Model No: 303871
Cosmetic Caddy With Mirror
INSTRUCTION MANUAL



Battery and appliance disposal:

To ensure the proper operation of this appliance, please read this instruction manual carefully before using the appliance and save it for future reference.

⚠ WARNING

- Check the appliance before use; do not use it if there are any cracks, gaps, or other damage.
- Make sure the mirror is not placed in a location or position where it can reflect sunlight, as reflected sunlight can cause fire.
- Do not attempt to repair, disassemble, or modify the appliance yourself to avoid accidents.
- The light source of this mirror is not replaceable; when the light source reaches the end of its life, the whole mirror must be replaced.
- For indoor use only

⚠ CAUTION

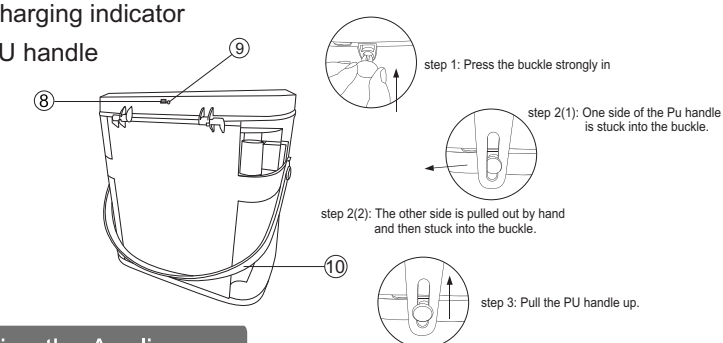
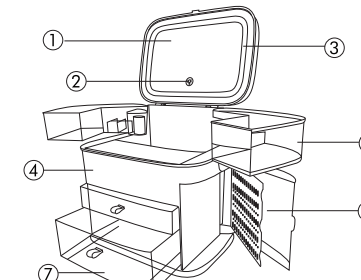
- Avoid touching the mirror with sharp objects to prevent scratches that might affect its use.
- This appliance has a lithium battery. Do not place or store the appliance for long periods in a hot or humid environment. If you do not intend to use the appliance for a long time, store it only after it is fully charged.
- This appliance contains battery and LED lights that are non-replaceable.
- Ensure using SELV charging adapter which is compatible with a 5V/1A rating.

Specifications:

- Charging Voltage/Current: 5V == /1A
- Type of Battery: Li-polymer 3.7V 2000mAh
- Ta: 25°C

Product Description (picture 1):

- ① Normal mirror
- ② Switch
- ③ LED light
- ④ Base
- ⑤ Rotatable bin
- ⑥ Jewel rack
- ⑦ Drawer
- ⑧ Charging port
- ⑨ Charging indicator
- ⑩ PU handle



Using the Appliance:

※ Charging the appliance takes about 3-4 hours, and it can be used continuously for up to 6-8 hours for the lightest model. The charging indicator will be red while the mirror is charging and will change to green, when fully charged.

- 1) Plug the small end of the USB cable into the port located in the behind of the mirror. Charge only with supplied USB cable
- 2) Press the switch: white light, warm light, warm white light, OFF (long press to adjust the brightness)
- 3) Two drawers, swivel storage arms and inner compartment for cosmetic and beauty essential storage