

Assembly Instructions

K: 43482863 | T: 70363272 PANELLED TOILET CABINET

CARE INSTRUCTIONS:











Wipe clean with a damp cloth. Keep away from water and direct sunlight. For indoor and domestic use. Check and tighten all parts regularly.

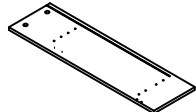
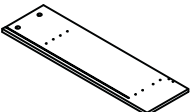
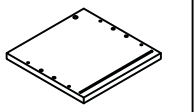
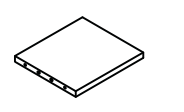
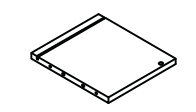
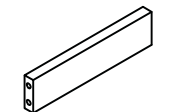
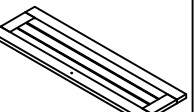
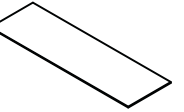
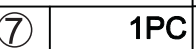

WARNING:

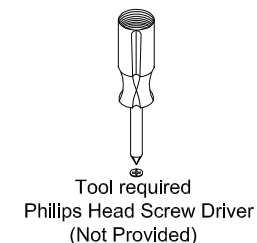
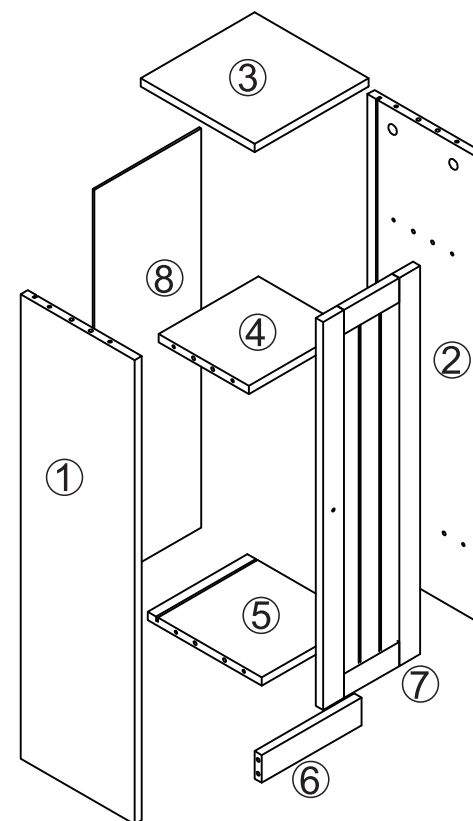
Do not stand, sit, or lean on the product. Do not drag the product. Use only on a flat surface. Do not use until all screws, bolts and knobs are firmly secured. This product contains small parts and sharp points, keep away from children and babies. Adult assembly is required. Failure to follow these warnings could result in serious injury.

MAXIMUM SAFE LOAD: 5KG FOR TOP PANEL, 5KG FOR EACH SHELF

Hardware List

	A	M6x35mm	12pcs		F		2pcs
	B	Ø15x9mm	12pcs		G	M4x16mm	1set
	C	Ø6x30mm	16pcs		H		1set
	D	M3x12mm	3pcs		I		1set
	E	M3x9mm	4pcs		J		1set

			
①	1PC	②	1PC
			
⑤	1PC	⑥	1PC
			
⑦	1PC	⑧	1PC



Do not tighten the screws fully during assembly.
Fully tighten screws after the final assembly steps

STEP 1



Ax12



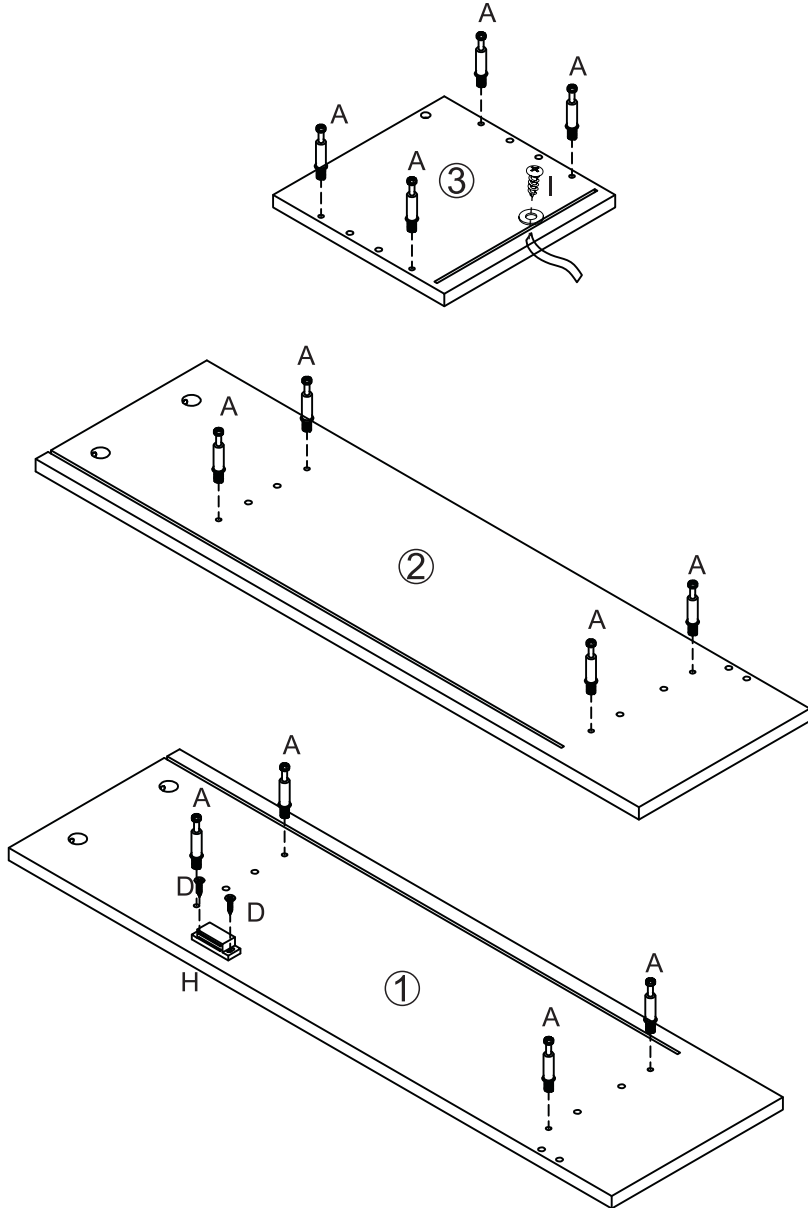
Dx2



Hx1



Ix1



STEP 2



Fx2



Dx1

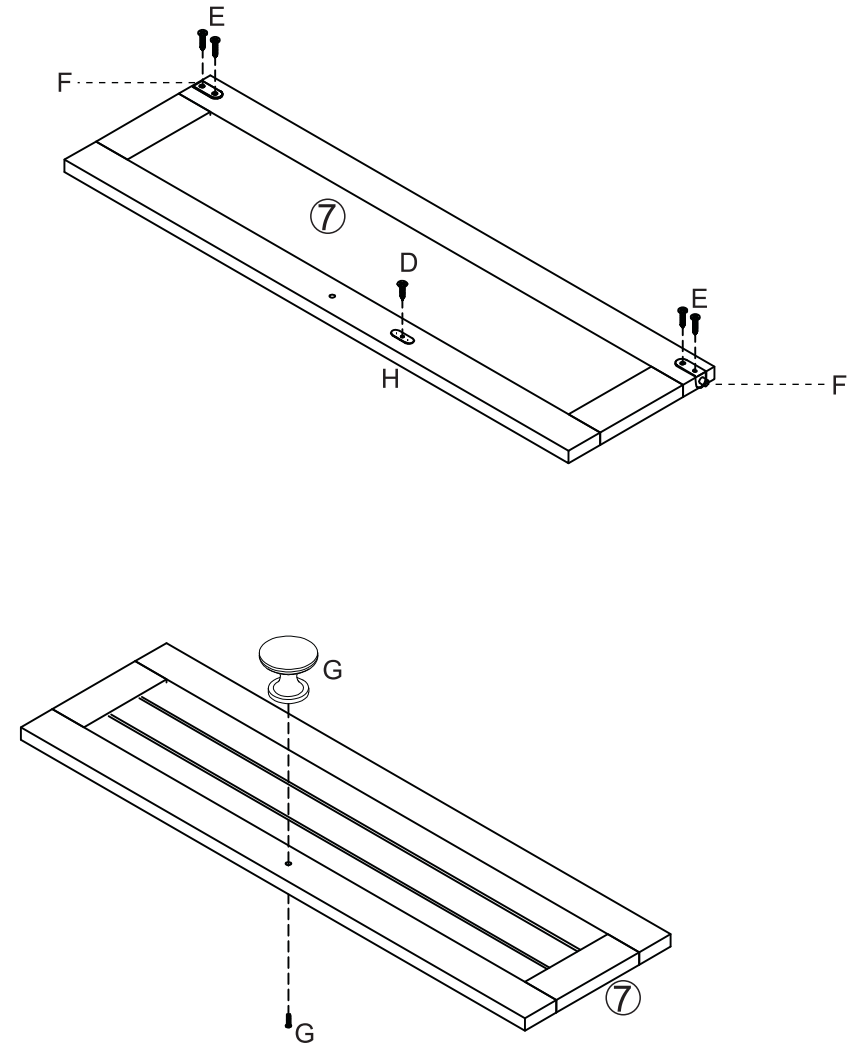
Hx1



Ex4



Gx1



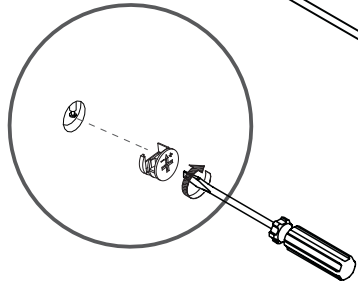
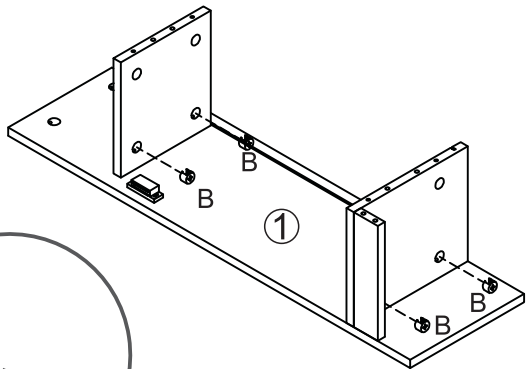
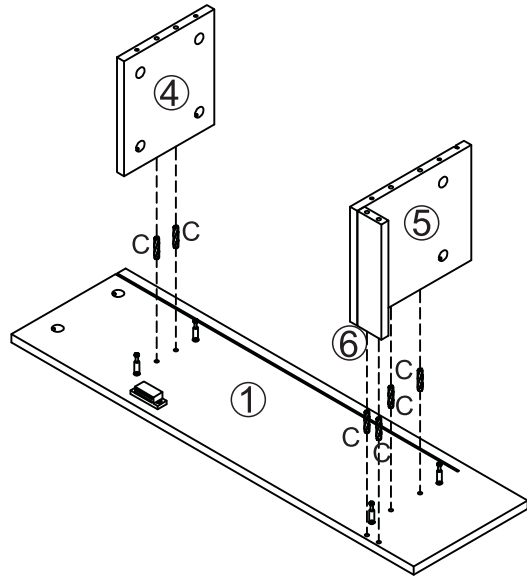
STEP 3



Cx6



Bx4



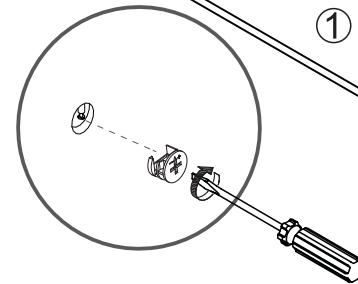
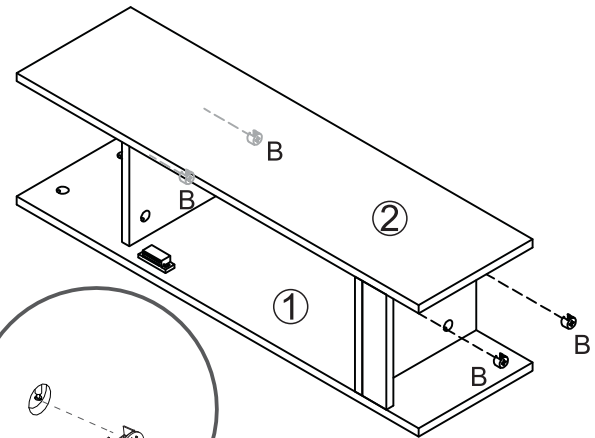
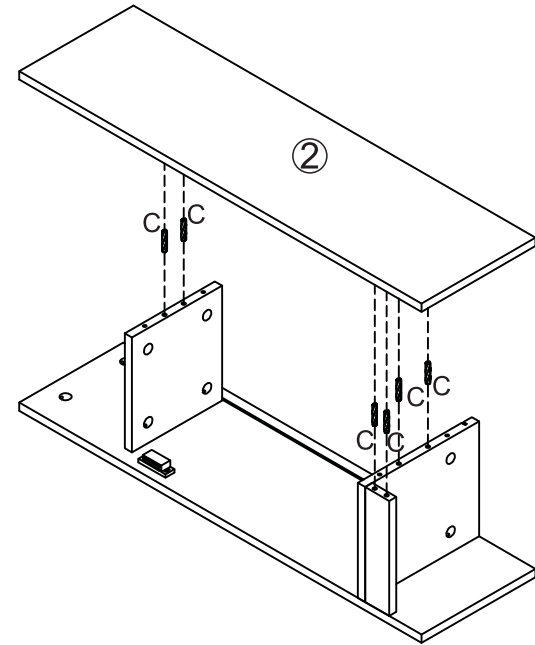
STEP 4



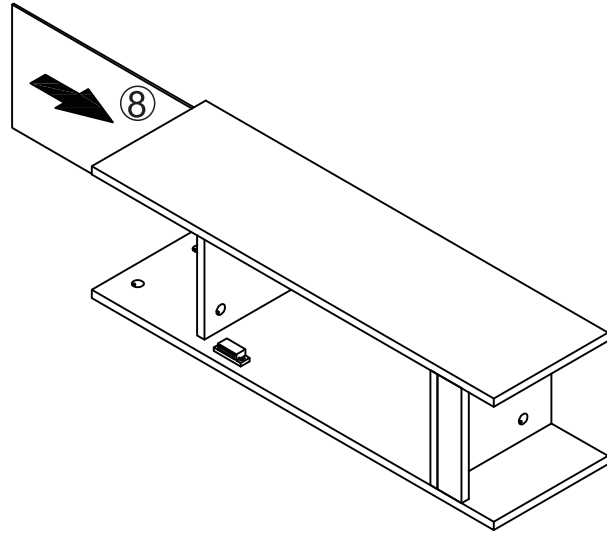
Cx6



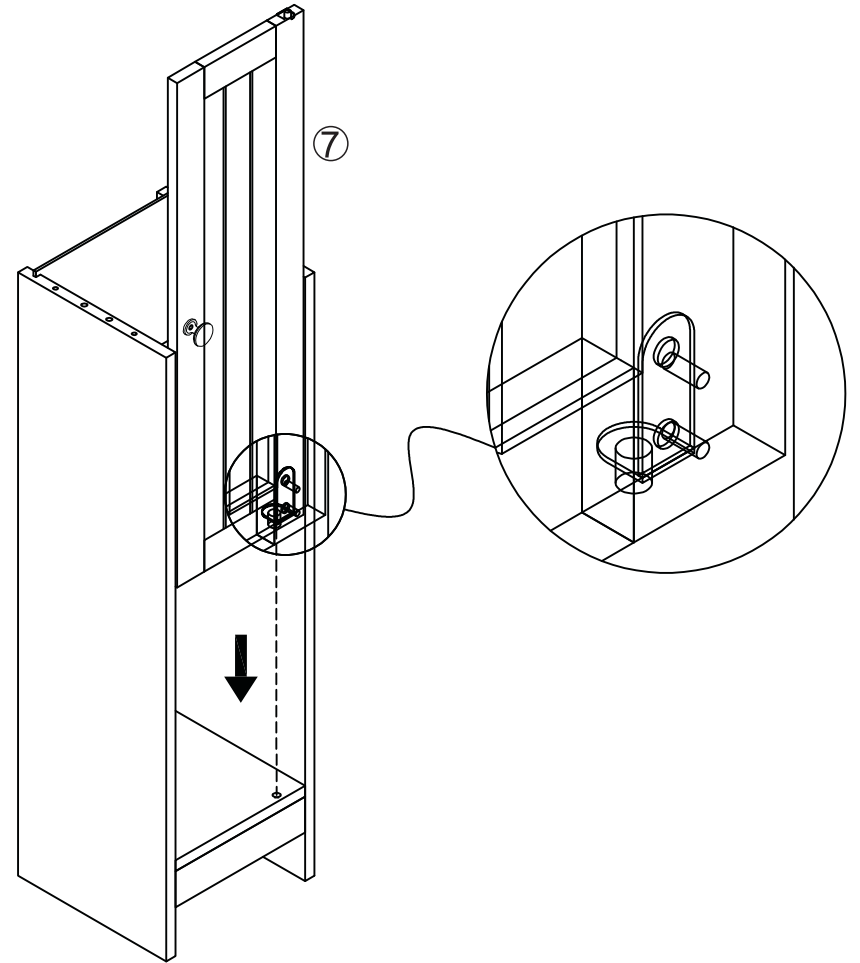
Bx4



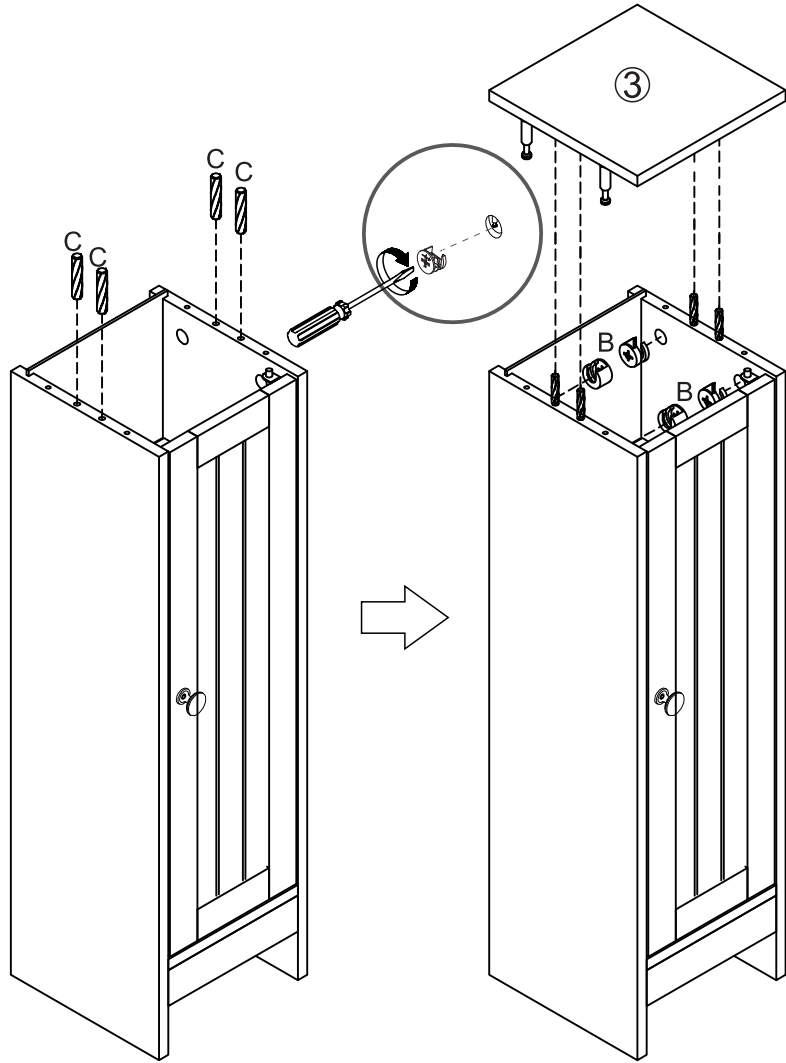
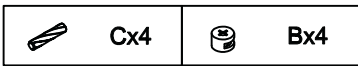
STEP 5



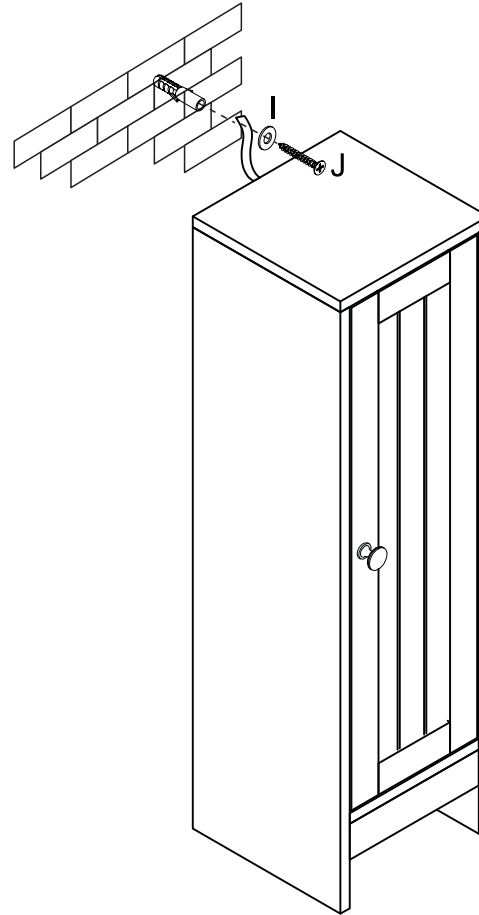
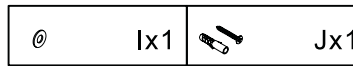
STEP 6



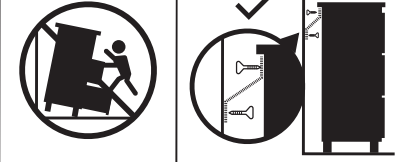
STEP 7



STEP 8



⚠ WARNING



Children have died from furniture tipover.

- ALWAYS secure it with an anchor device.
- NEVER allow children to stand, climb or hang on drawers, doors, or shelves.
- NEVER open more than one drawer at a time.
- Place heavy items down low.
- Furniture type is at risk of toppling over.

NEVER put a TV on this furniture



This is a permanent label. Do not remove!

TOPPLING FURNITURE WARNING:

- It is strongly recommended that this product is permanently fixed to the wall.
- Please seek professional advice if you are in doubt of what fixing device to use.
- Regularly check that anchors are securely maintained.
- Use safety drawer locks to prevent children climbing.
- Stability of tall items may be affected by thick pile carpet or uneven floors .
- Do not place unanchored televisions on furniture .

CAUTION: for your safety when attaching the anchor fixings, please note the following:

- Check any electrical wires or plumbing inside the wall before drilling any holes (if you are unsure please seek professional advice from a qualified tradesperson).



WARNING: PLEASE SECURE YOUR FURNITURE WITH THE SUPPLIED WALL FIXING. SCAN THE CODE FOR MORE INFORMATION.

