

Assembly Instructions

K:43482870 | T: 70232998 PANELLD CABINET 3 SHELVES

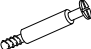



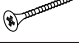


CARE INSTRUCTIONS:








Wipe clean with a damp cloth. Keep away from water and direct sunlight. For indoor and domestic use. Check and tighten all parts regularly

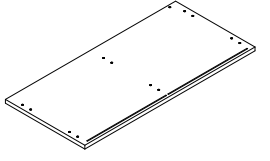
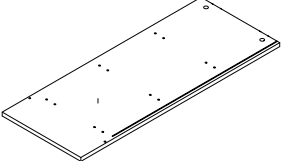
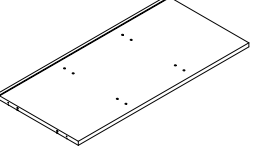
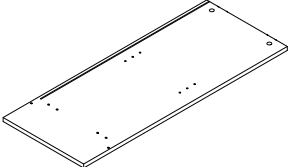
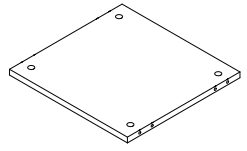
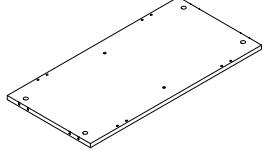
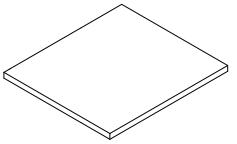
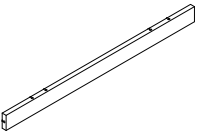
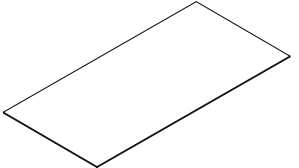
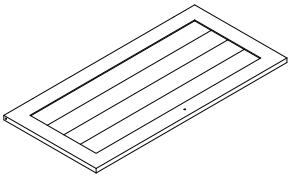
WARNING:

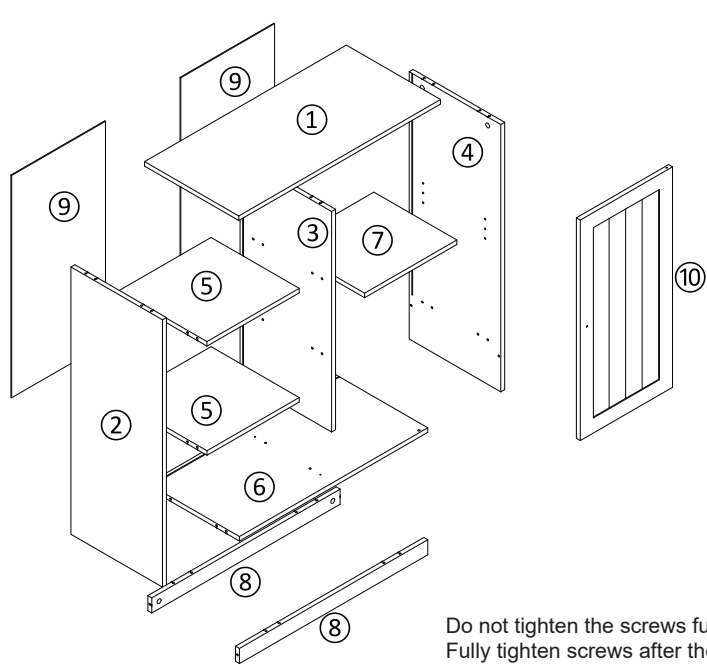
Do not stand, sit, or lean on the product. Do not drag the product. Use only on a flat surface. Do not use until all screws, bolts and knobs are firmly secured. This product contains small parts and sharp points, keep away from children and babies. Adult assembly is required. Failure To follow these warnings could result in serious injury.

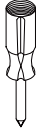
MAXIMUM SAFE LOAD: 10KG FOR TOP PANEL, 5KG FOR EACH SHELF.

	a	M6X35mm	22pcs
	b	M15X10mm	22pcs
	c	M3X12mm	7pcs
	d	M6X30mm	24pcs
	e	M4X40mm	6pcs
	f		2pcs
	g		4pcs

	h		1set
	i		1pc
	j		1pc
	k		4pcs
	l	M3X14mm	4pcs
	m		1set
	n		1set

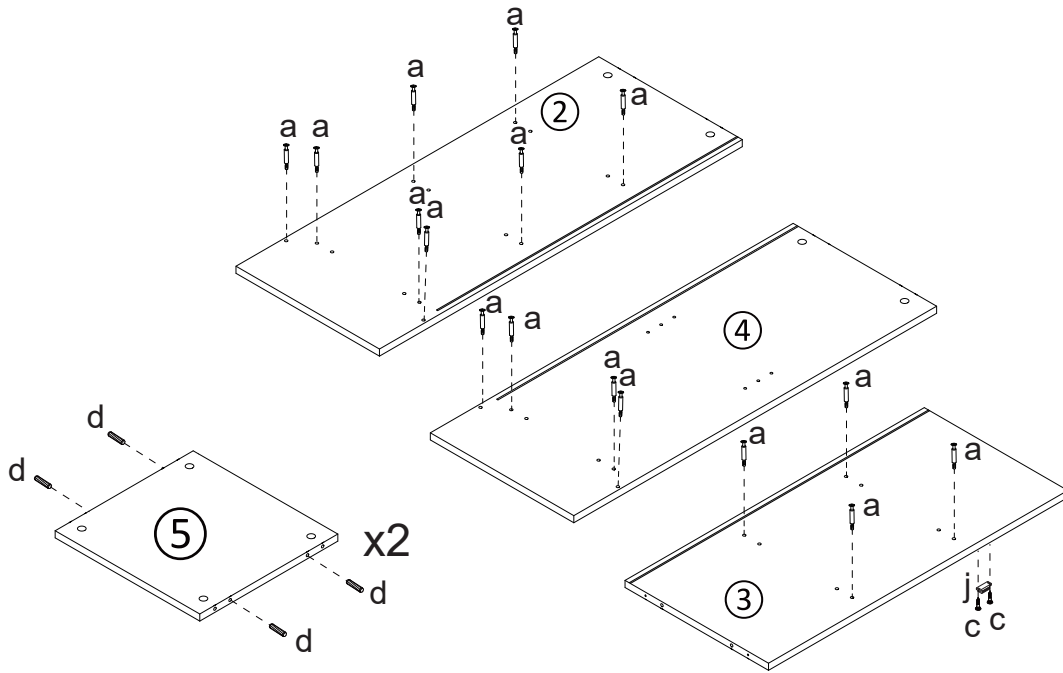
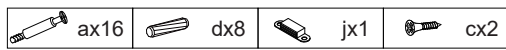
					
①	1PC	②	1PC	③	1PC
					
④	1PC	⑤	2PCS	⑥	1PC
					
⑦	1PC	⑧	2PCS	⑨	2PCS
					
⑩	1PC				



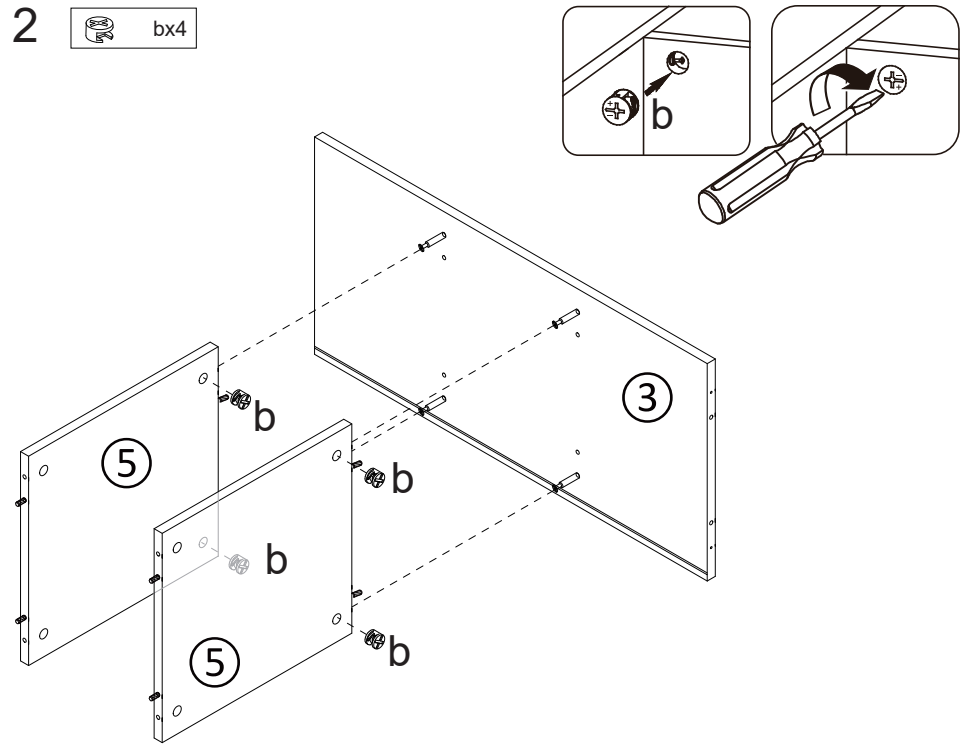

Tool required
Philips Head Screw Driver
(Not Provided)

Do not tighten the screws fully during assembly.
Fully tighten screws after the final assembly steps.

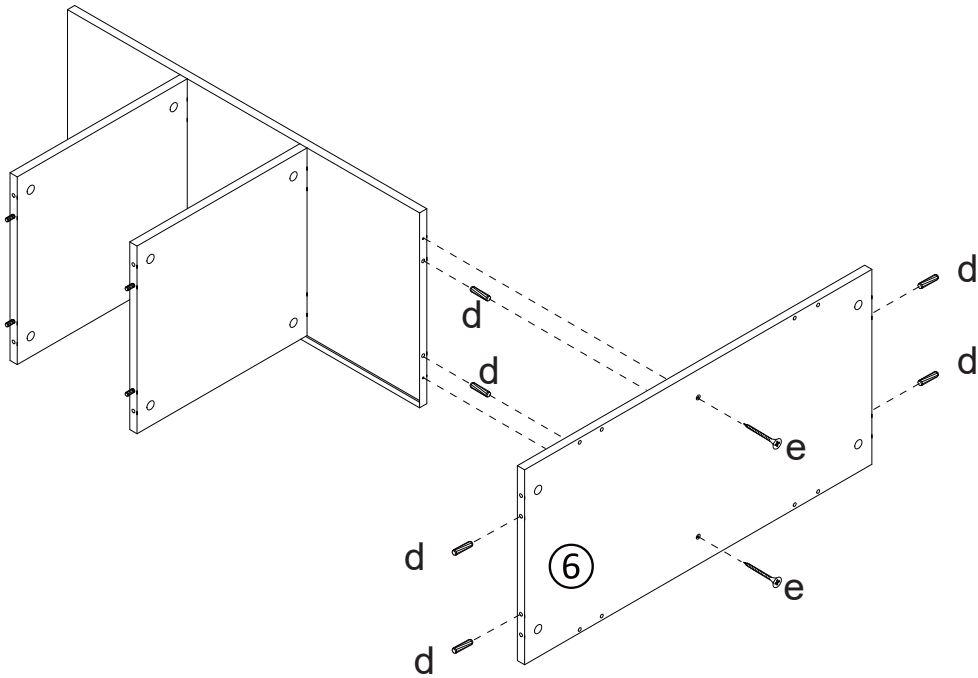
step 1



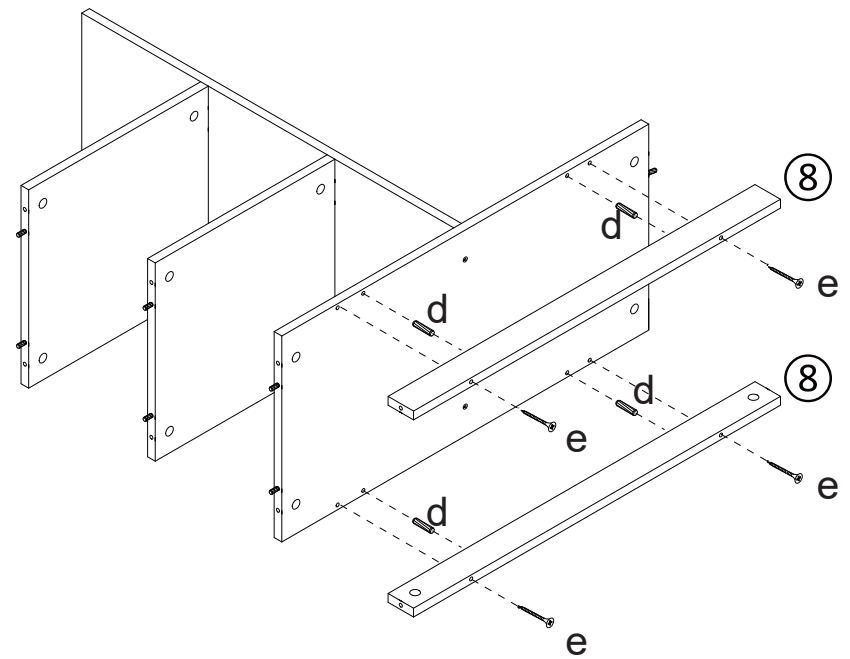
step 2



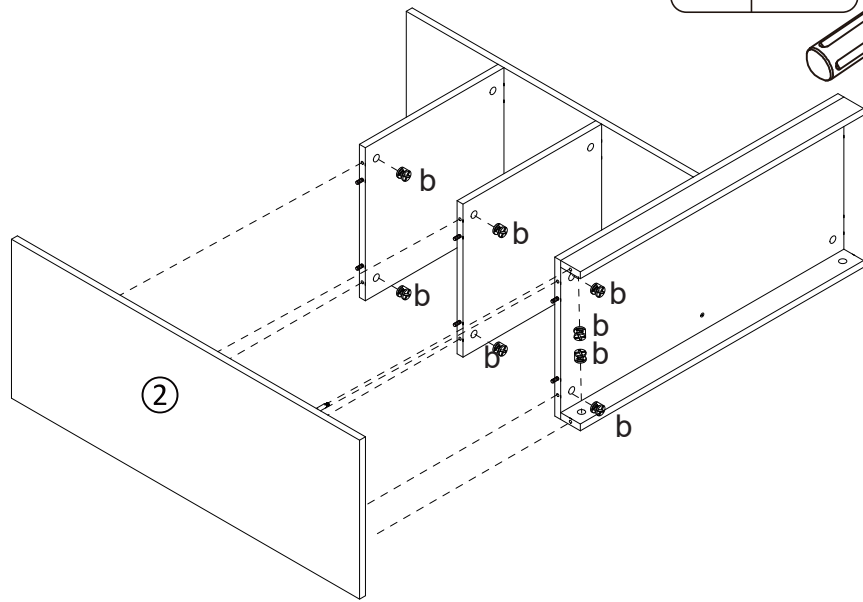
step 3



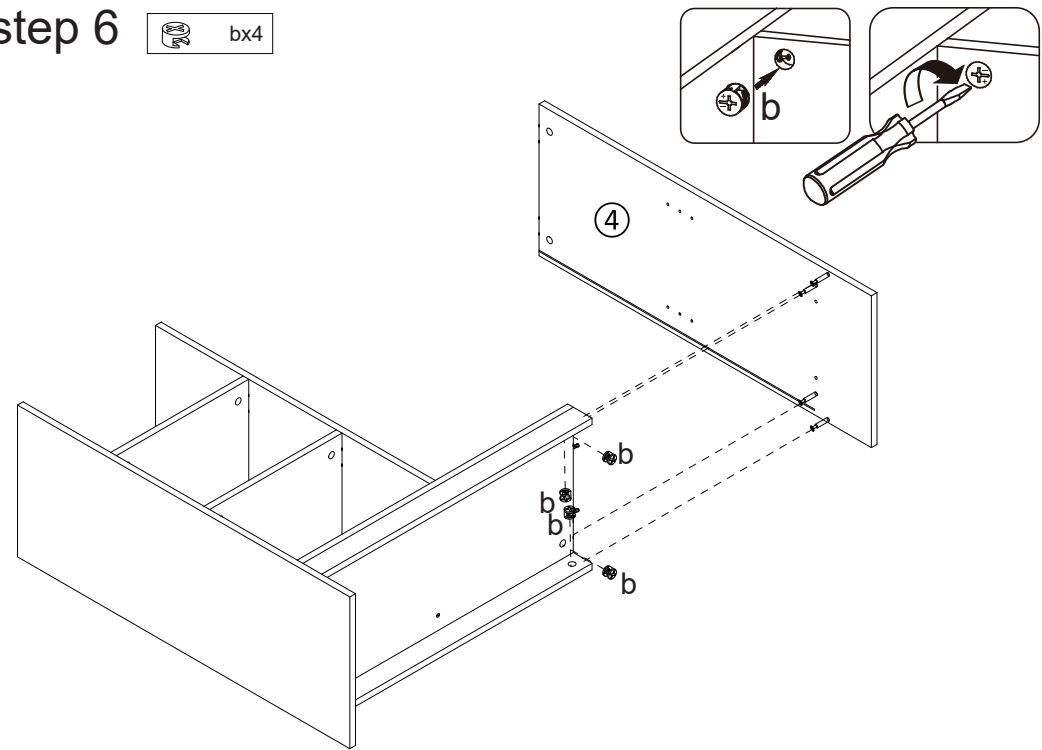
step 4



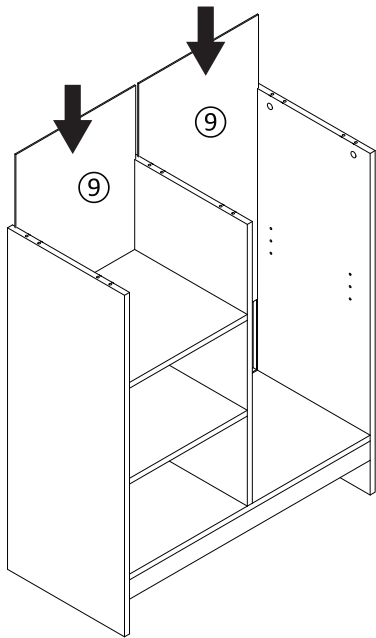
step 5



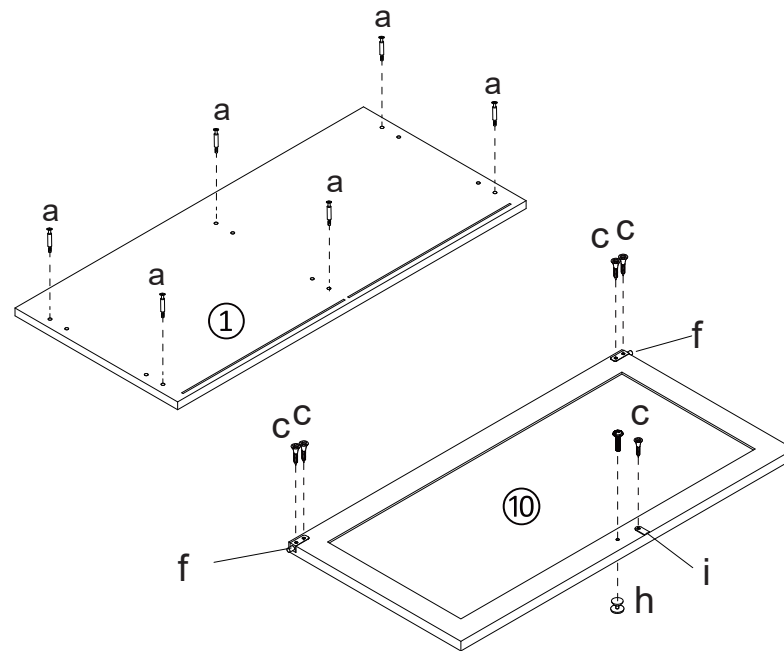
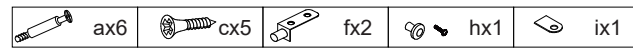
step 6



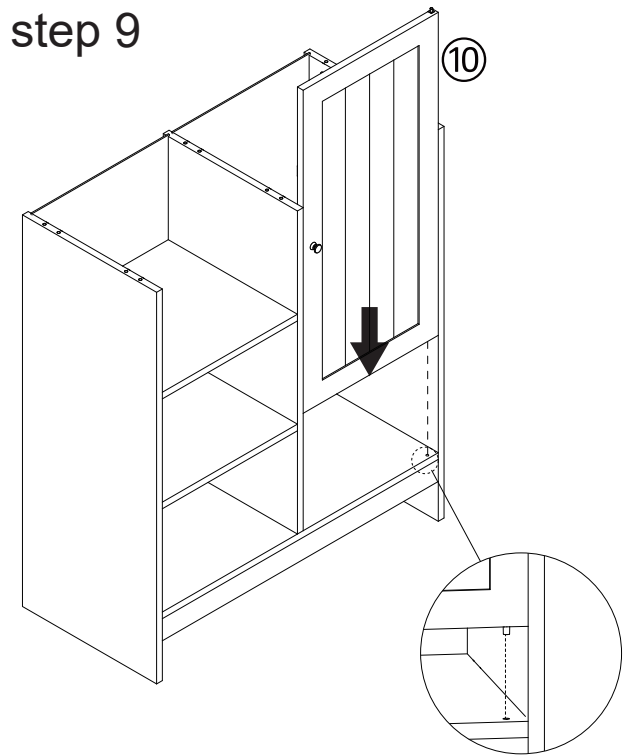
step 7



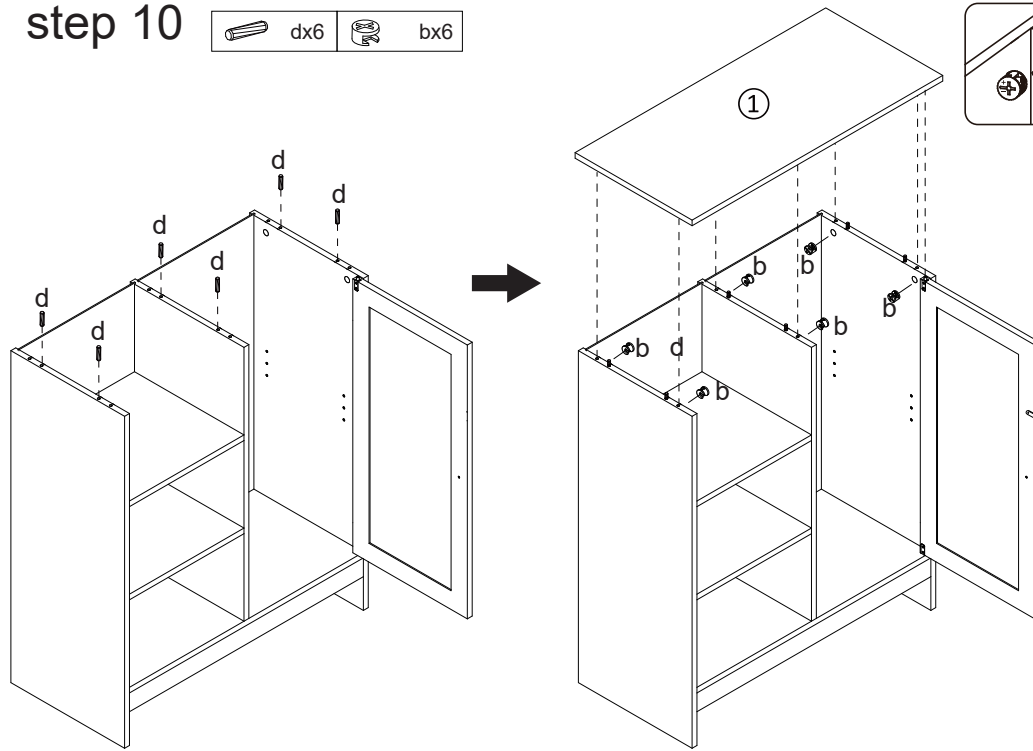
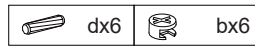
step 8



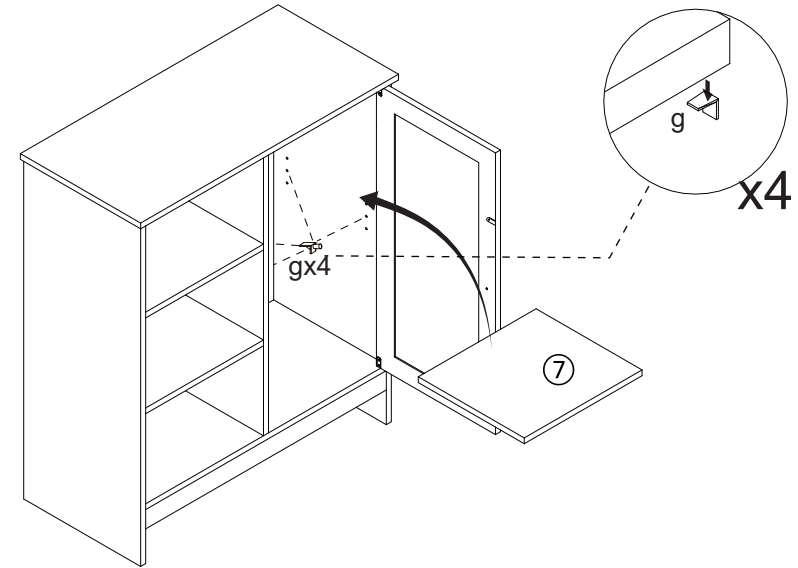
step 9



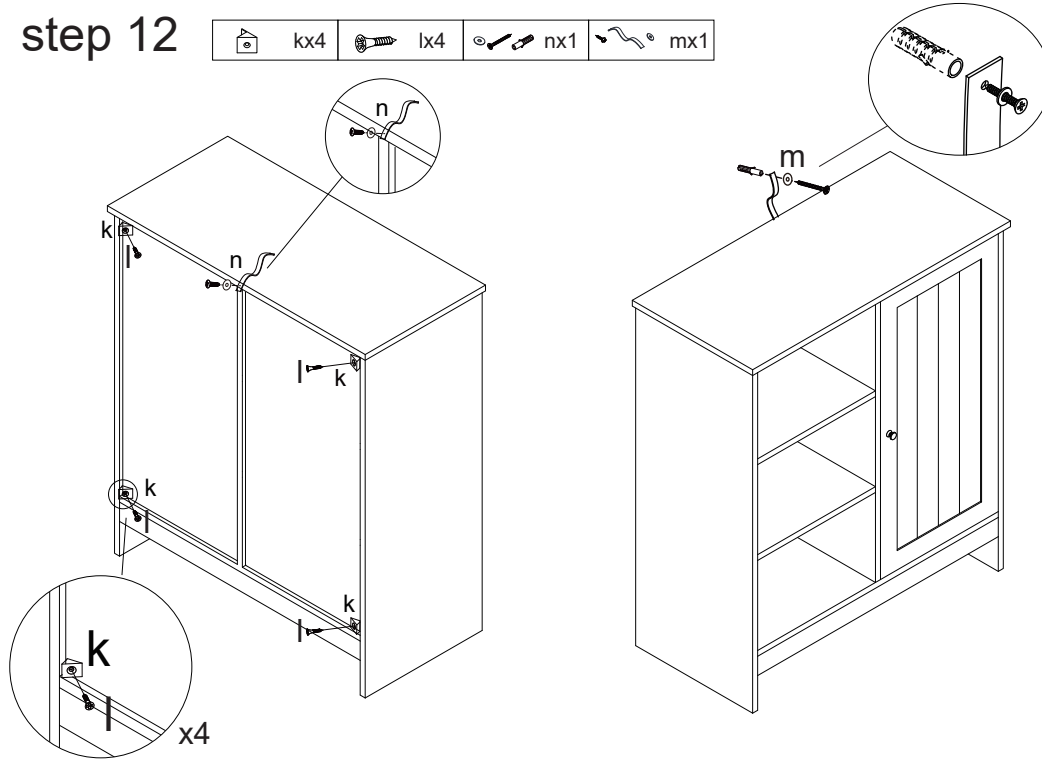
step 10



step 11



step 12



⚠ WARNING

Children have died from furniture tipover.

- ALWAYS secure it with an anchor device.
- NEVER allow children to stand, climb or hang on drawers, doors, or shelves.
- NEVER open more than one drawer at a time.
- Place heavy items down low.
- Furniture type is at risk of toppling over.

NEVER put a TV on this furniture

This is a permanent label. Do not remove!

TOPPLING FURNITURE WARNING:

- It is strongly recommended that this product is permanently fixed to the wall.
- Please seek professional advice if you are in doubt of what fixing device to use.
- Regularly check that anchors are securely maintained.
- Use safety drawer locks to prevent children climbing.
- Stability of tall items may be affected by thick pile carpet or uneven floors .
- Do not place unanchored televisions on furniture .

CAUTION: for your safety when attaching the anchor fixings, please note the following:

- Check any electrical wires or plumbing inside the wall before drilling any holes (if you are unsure please seek professional advice from a qualified tradesperson).



WARNING: PLEASE SECURE YOUR FURNITURE WITH THE SUPPLIED WALL FIXING. SCAN THE CODE FOR MORE INFORMATION.

