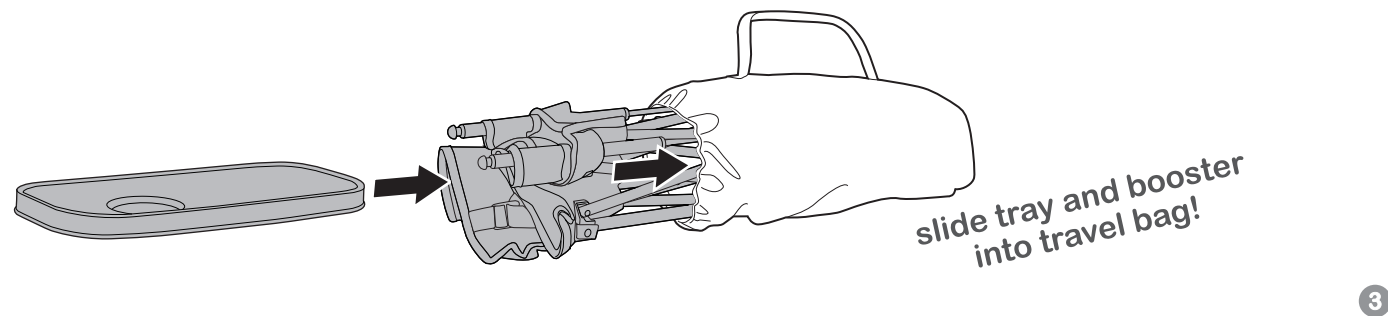
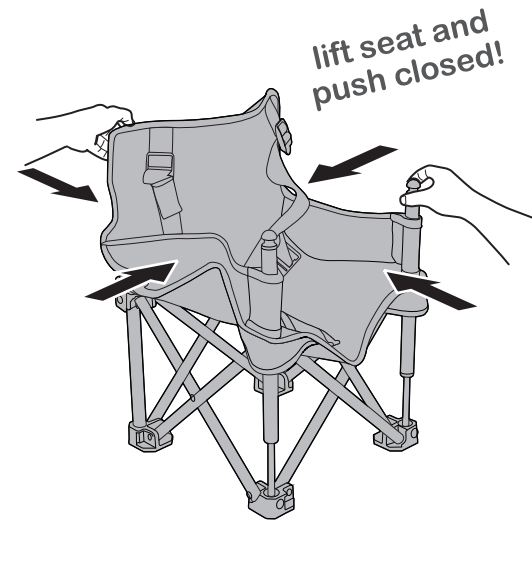
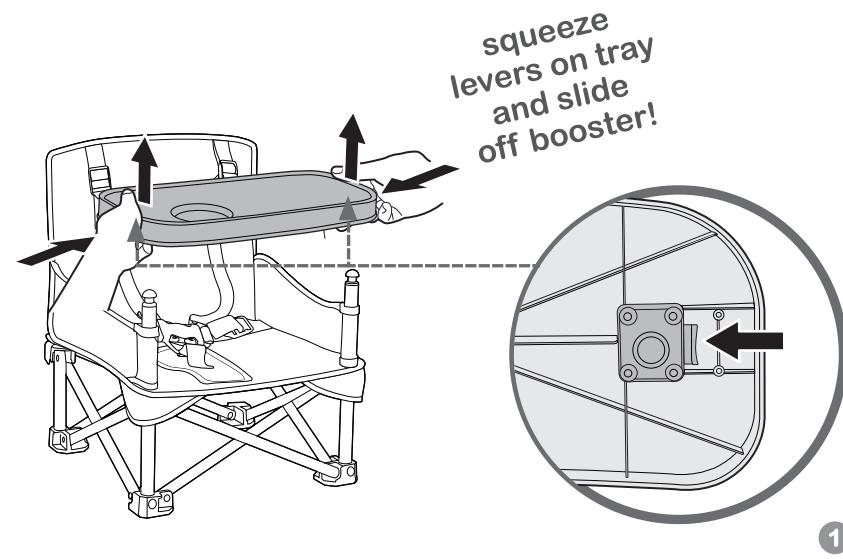


tray removal & storage:



cleaning and maintenance:

Before each use, inspect the booster for damaged hardware, loose joints, missing parts, or sharp edges. Do not use booster if any parts are missing, torn, or broken.

- To clean booster seat and chair straps: Wipe clean with a damp cloth or sponge using mild soap and clean warm water. Towel or air dry.
- Tray: Dishwasher safe, top rack only.



! WARNING: PREVENT SERIOUS INJURY OR DEATH FROM SLIDING OUT, FALLS, OR TIPPING OVER:

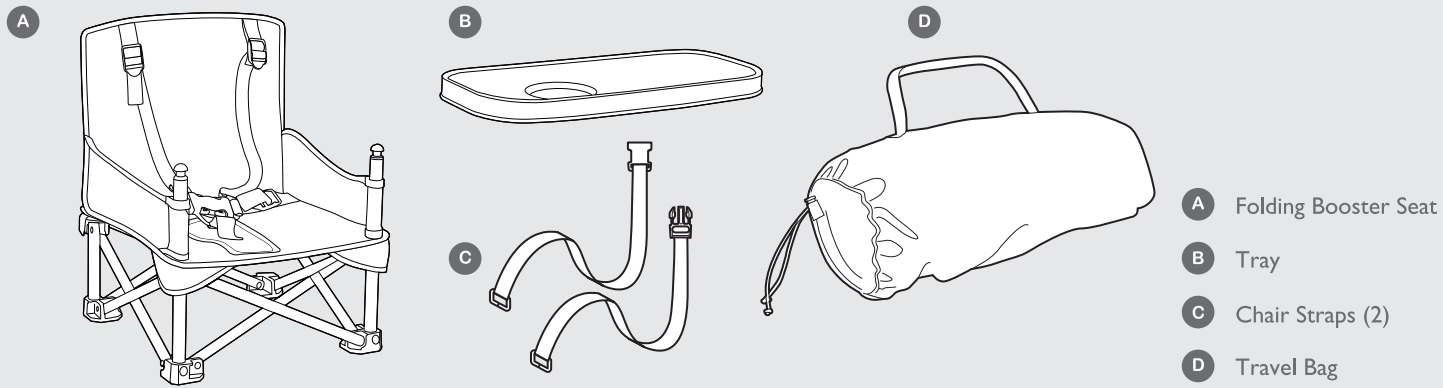
- Never leave child unattended and without supervision.
- ALWAYS secure child using restraint straps until child is able to get in and out of the booster seat without help (about 3 years old).
- The tray is not designed to hold the child in the chair.
- Do not use in motor vehicles.
- ALWAYS secure BOTH back and seat straps to adult chair.
- ALWAYS check security of fit to adult chair before each use.
- Never allow child to push away from table.
- Never lift this product with your child in it.
- Do not use this product if it is damaged or broken.
- NEVER use this product as a car seat or bath seat, on a table or counter top, stool, swivel chair, folding chair, unstable chair or any other chair where the straps cannot secure it properly.
- For use on a chair whose seat dimensions are greater than those of the booster seat.
- Check that both the floor and seat of the chair are level before installing the booster seat.
- Prevent finger injury: Unfold booster seat completely before use. Keep child away from booster seat when folding and unfolding.

PREVENT FALLS: ALWAYS USE BOOSTER CHAIR STRAPS when using product on elevated surfaces as a Booster Seat.

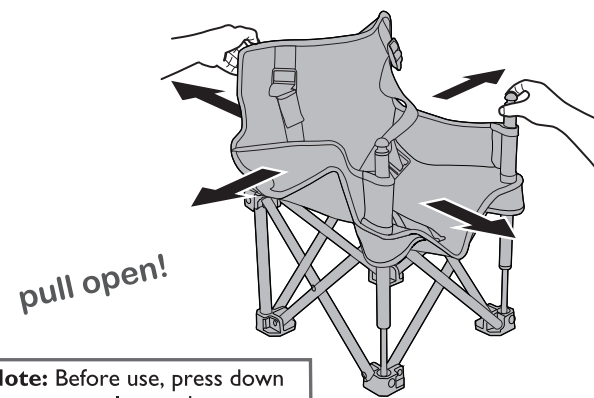
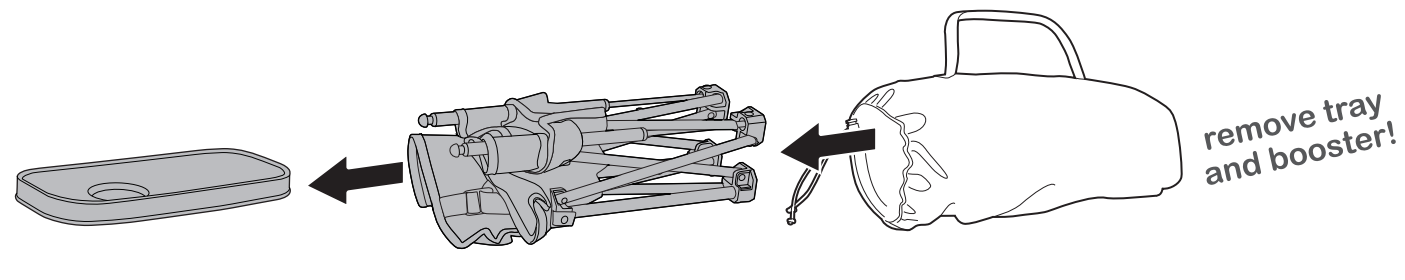
CUSTOMER SERVICE:
 KMART AU:1800 124 125
 KMART NZ:0800 945 995
 TARGET AU:1300 753 567

Made in China

components:

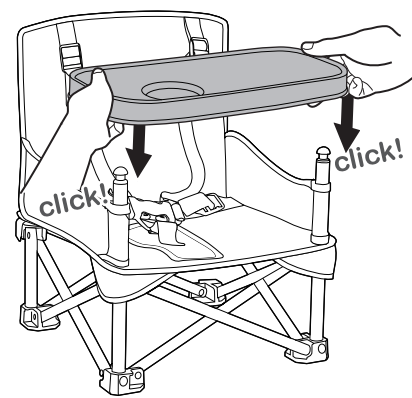


assembly:



Note: Before use, press down on seat to ensure legs and seat are fully open.

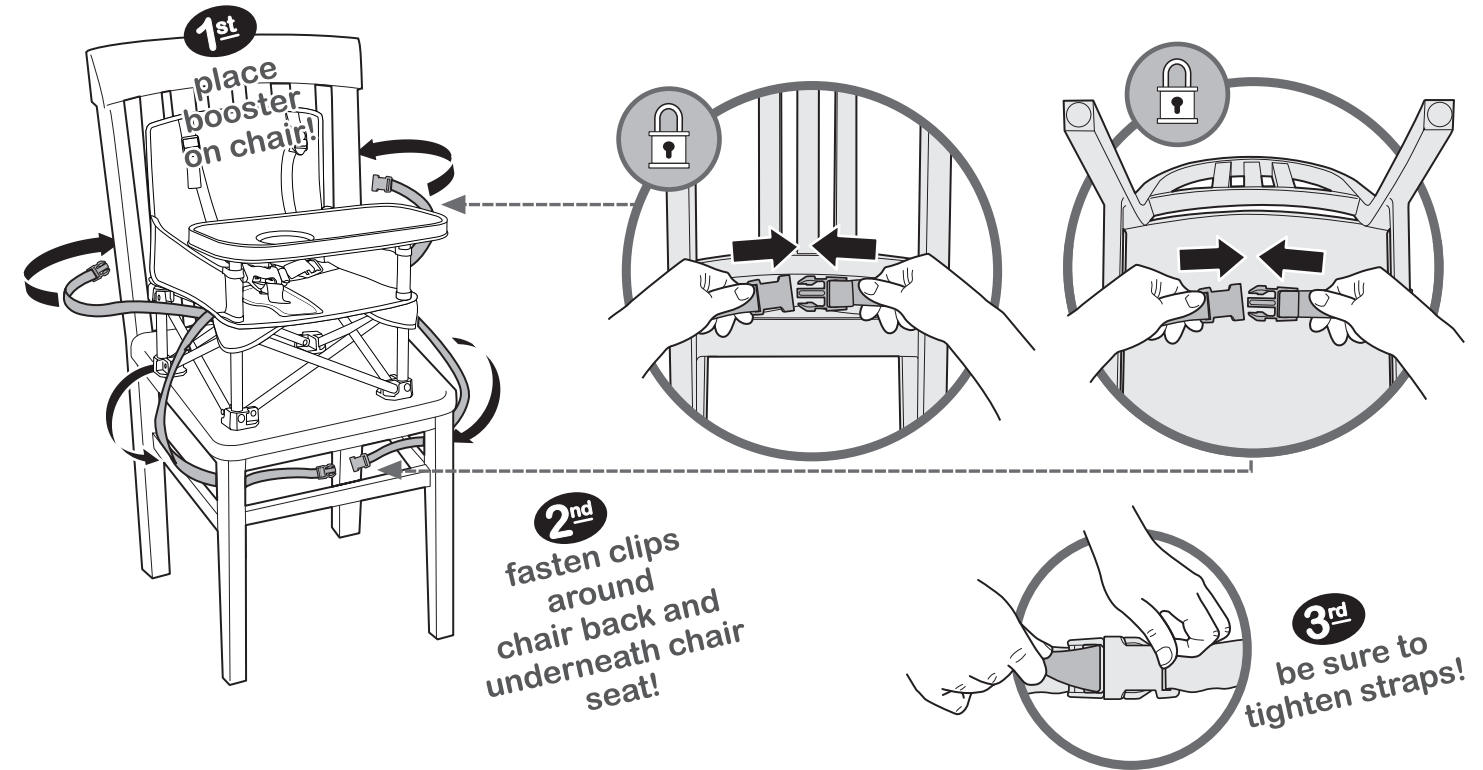
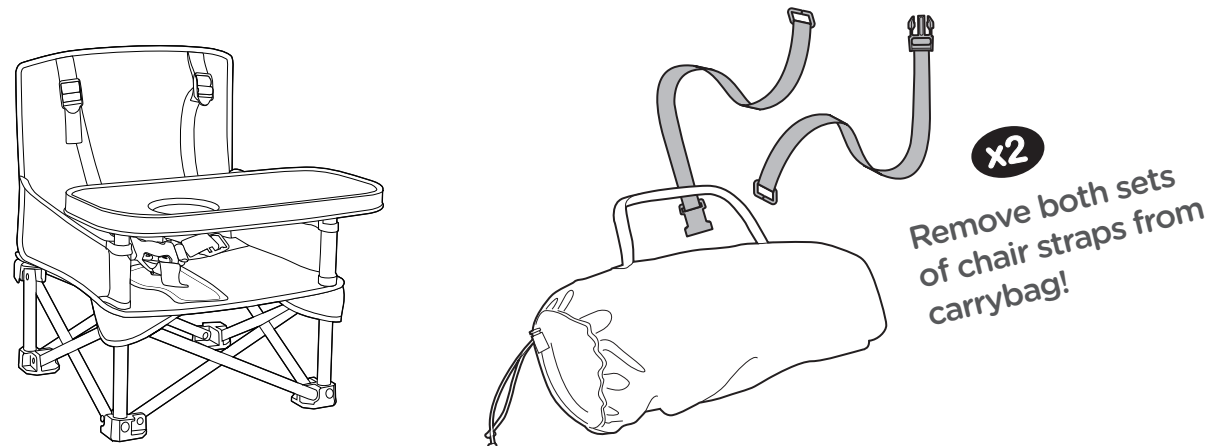
2



Note: The chair should not be positioned near structures that allows the child to push against. When you hear a "click", the tray is locked.

3

securing booster to chair:



child restraint:

