

Assembly Instructions











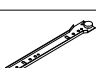
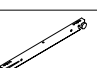
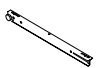







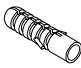
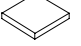
43484201 STEVIE 4 DRAWER CHEST

CARE INSTRUCTIONS: WIPE CLEAN WITH A SOFT DAMP CLOTH. NEVER USE SCOURERS, ABRASIVES OR CHEMICAL SOLVENTS. KEEP AWAY FROM MOISTURE AND DIRECT SUNLIGHT. STORE IN A DRY PLACE. FOR INDOOR USE ONLY.

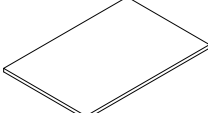
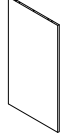

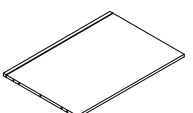
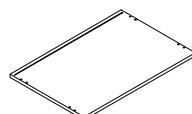
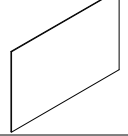
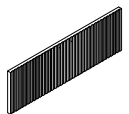
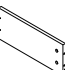
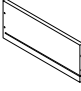
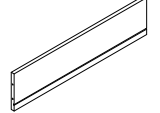
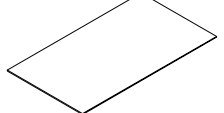
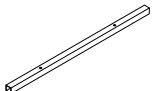
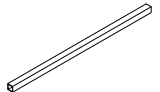
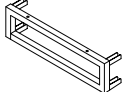
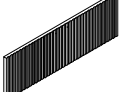
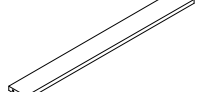
WARNING: DO NOT STAND, SIT OR LEAN ON THE UNIT. DO NOT USE THIS UNIT AS A STEP LADDER. ENSURE THIS UNIT IS USED ONLY ON A FLAT SURFACE. DO NOT USE THIS UNIT UNLESS ALL BOLTS AND SCREWS ARE FIRMLY SECURED. DO NOT PLACE HOT OBJECTS SUCH AS COFFEE CUPS DIRECTLY ON THE SURFACE OF THIS FURNITURE ITEM. THIS ITEM IS FOR STORAGE PURPOSES ONLY. CONTAINS SMALL PARTS. IT IS TO BE ASSEMBLED BY AN ADULT. FAILURE TO FOLLOW THESE WARNINGS COULD RESULT IN SERIOUS INJURY.

MAXIMUM SAFE LOAD: 15kg FOR TOP, 7kg FOR EACH DRAWER.

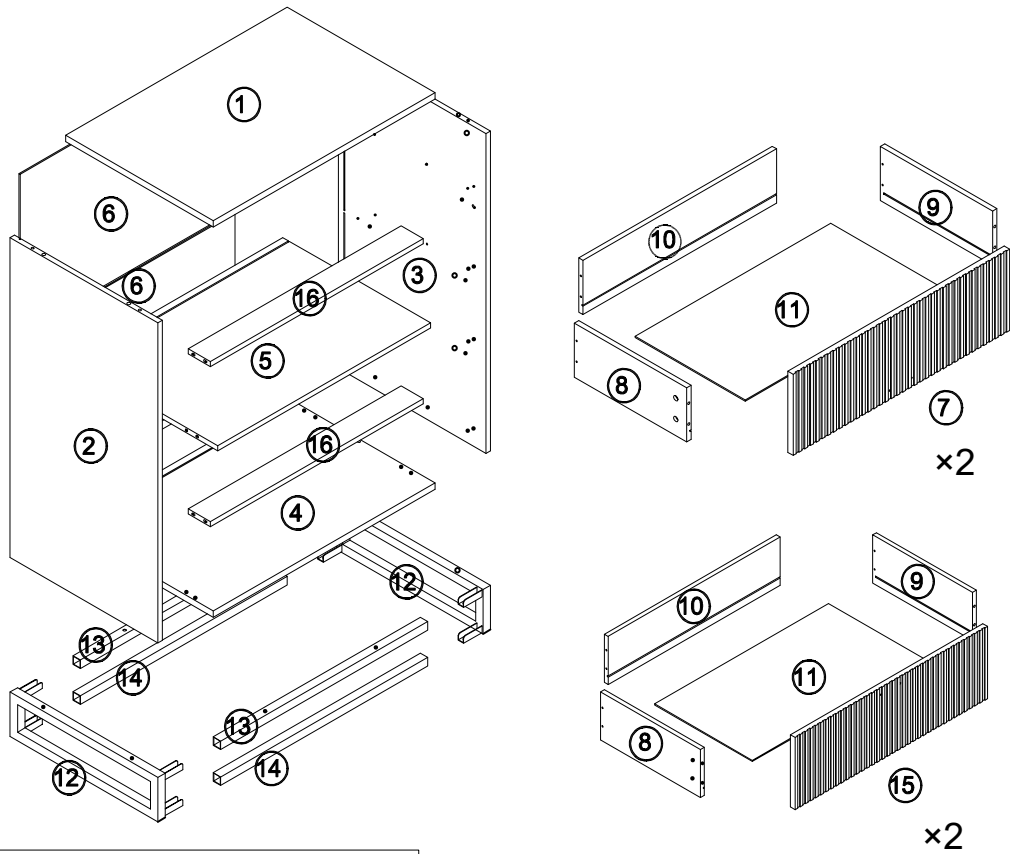
1 Hardware List

	A	6x30mm	16pcs		B	7x50mm	4pcs		C	4x30mm	16pcs
	D	6x35mm	24pcs		E	12x10mm	24 pcs		F	4x25mm	8pcs
	G	6x12mm	16 pcs		H	6x25mm	8pcs		I		4pcs
	J		4pcs		K		4pcs		L		4pcs
	M		4pcs		N	3x12mm	58pcs		O		1pc
	P		8pcs		Q	3x14mm	8pcs		R		2pcs
	S		4pcs		T	4x40mm	2pcs		U		2pcs
	V		4pcs								

2 Parts List

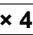
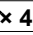
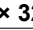
							
①	1pc	②	1pc	③	1pc	④	1pc
							
⑤	1pc	⑥	2pcs	⑦	2pcs	⑧	4pcs
							
⑨	4pcs	⑩	4pcs	⑪	4pcs	⑫	2pcs
							
⑬	2pcs	⑭	2pcs	⑮	2pcs	⑯	2pcs

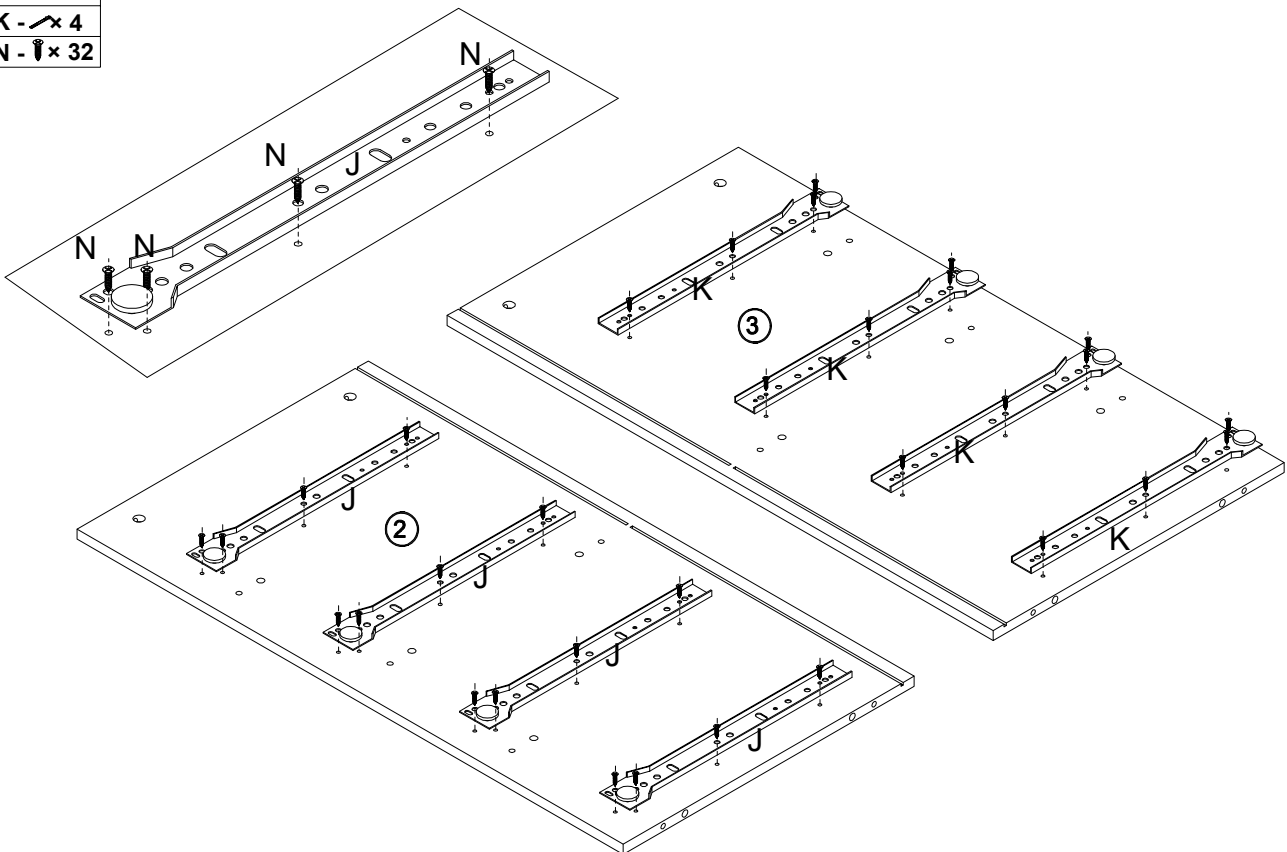
3




ATTENTION: DO NOT TIGHTEN THE SCREWS FULLY DURING ASSEMBLY. FULLY TIGHTEN SCREWS AFTER THE FINAL ASSEMBLY STEP.

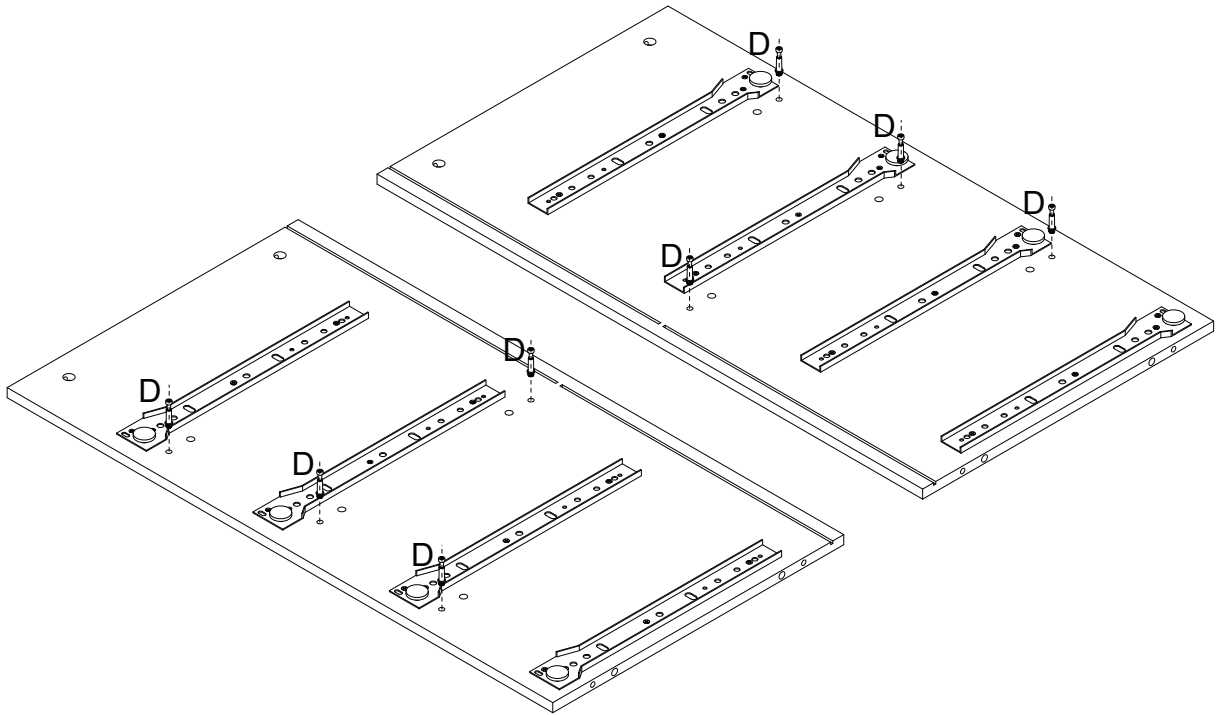
STEP 1

- J -  x 4
- K -  x 4
- N -  x 32




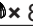
STEP 2

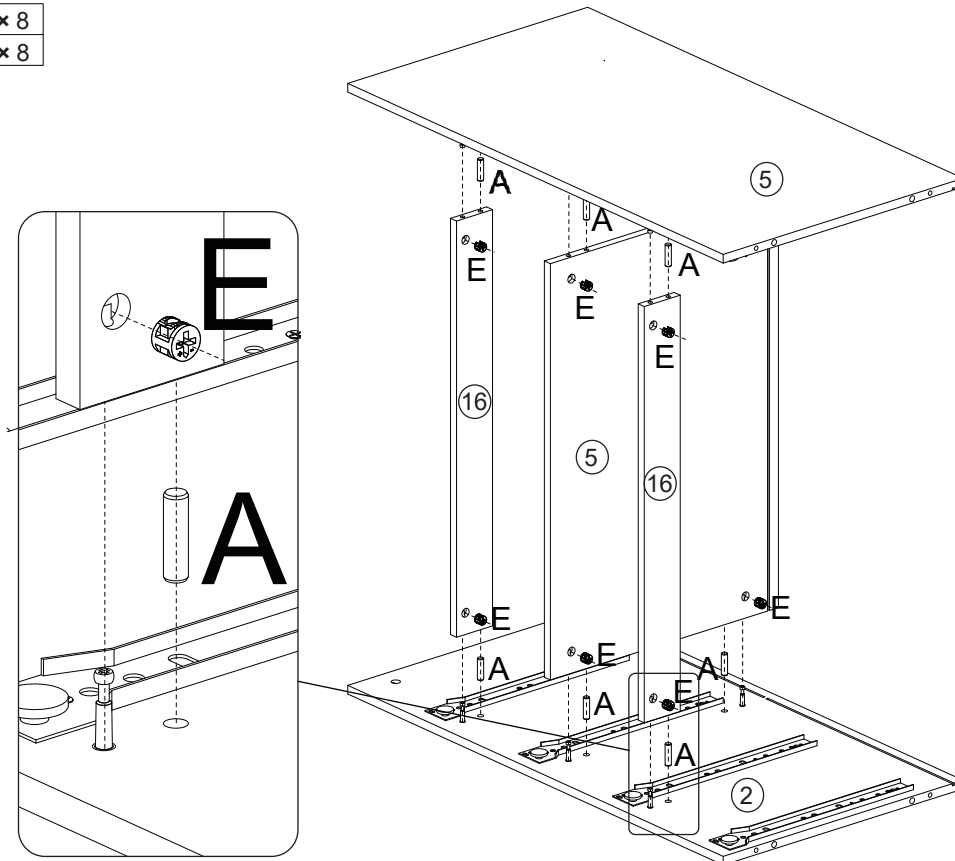
D -  x 8



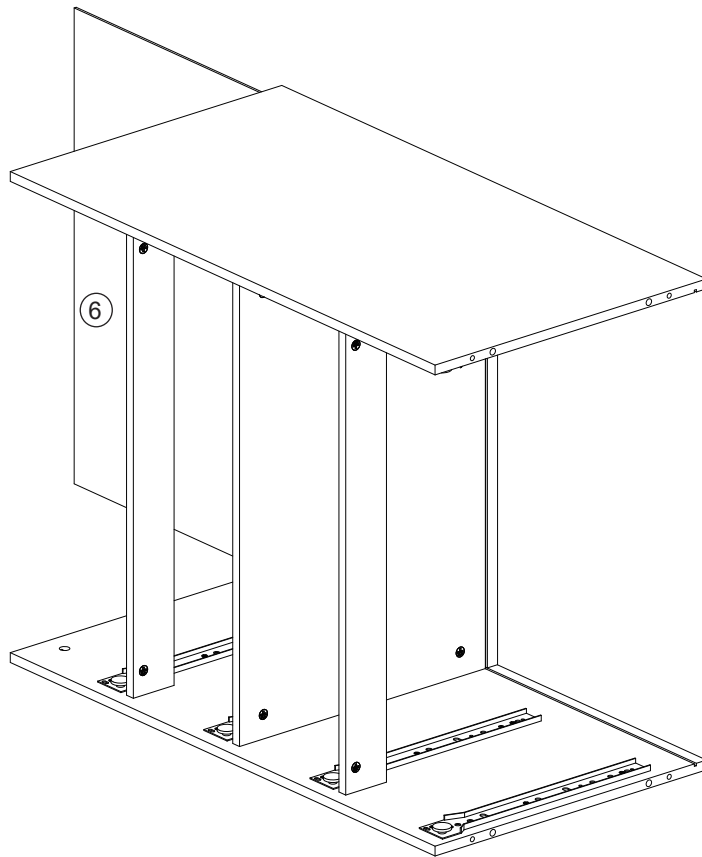
STEP 3

A -  x 8

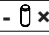


E -  x 8

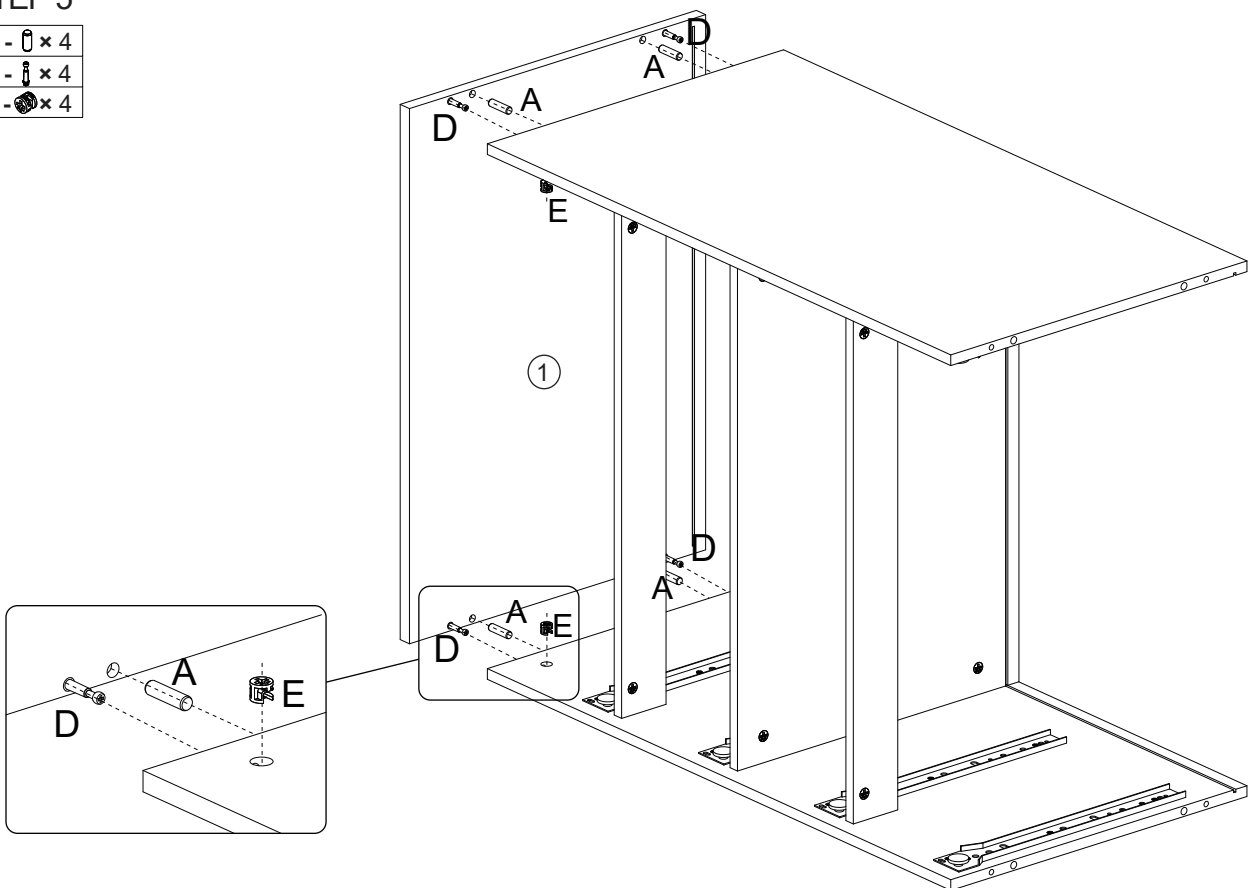


STEP 4

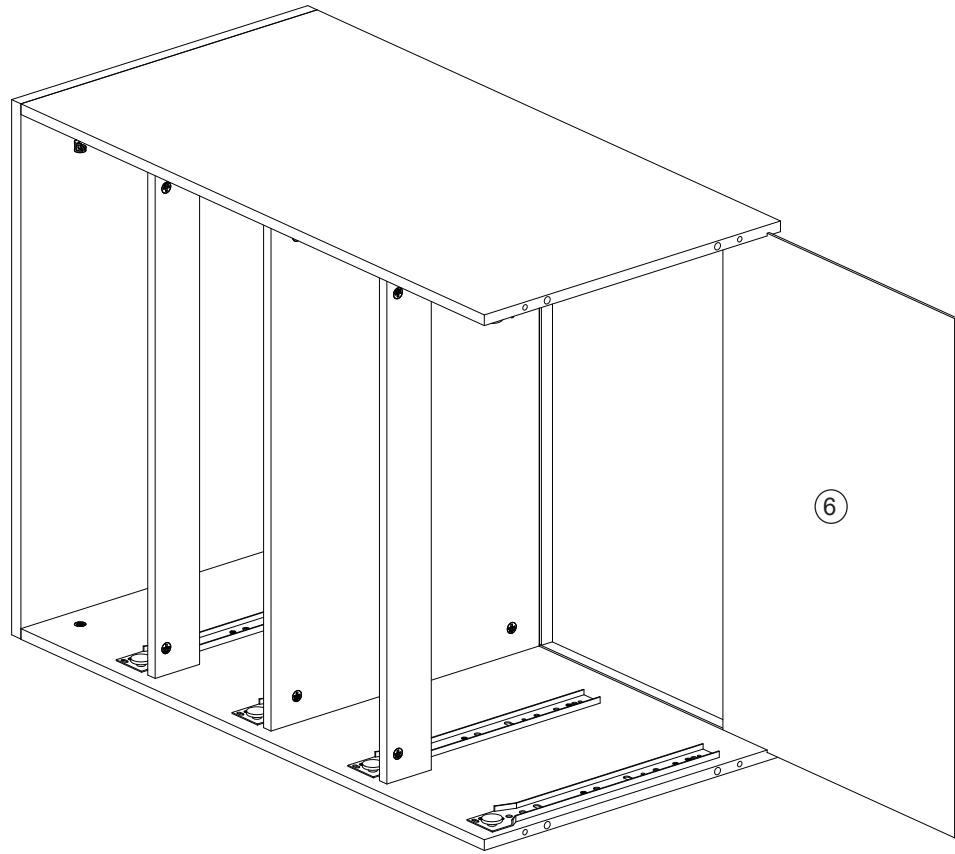


STEP 5

- A -  x 4
- D -  x 4
- E -  x 4

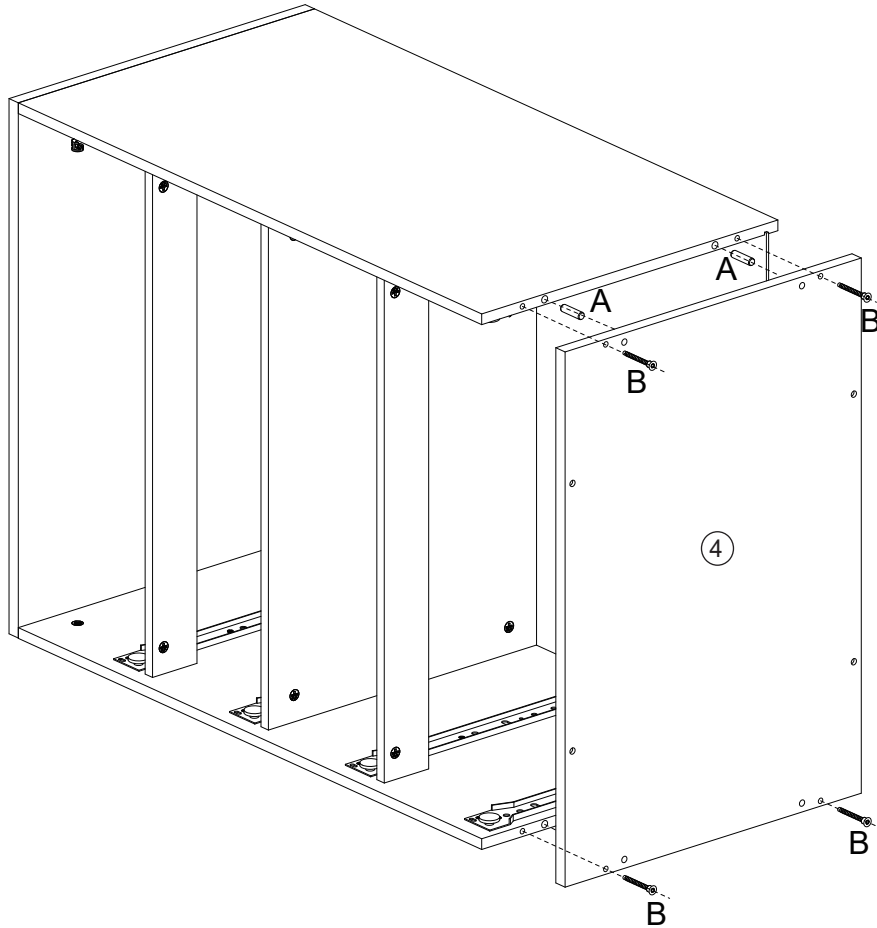


STEP 6



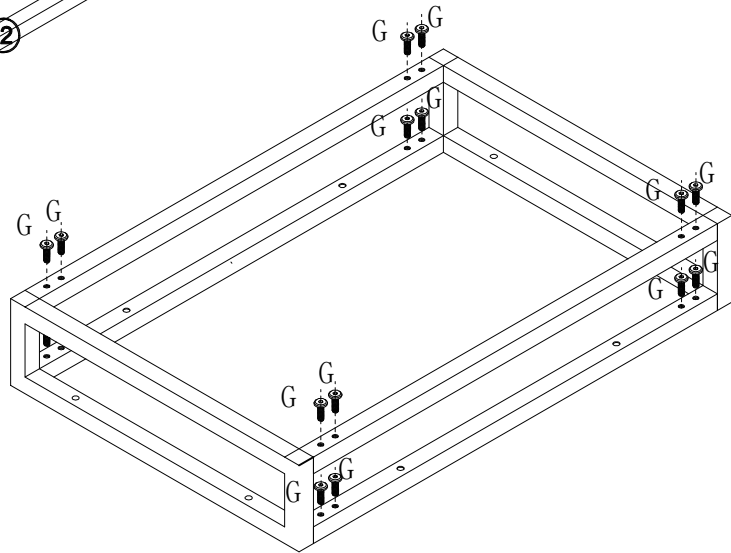
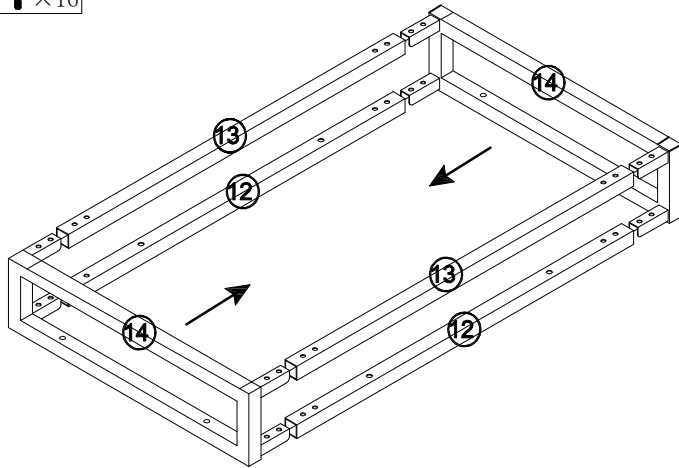
STEP 7

- A - $\emptyset \times 4$
- B - $\uparrow \times 4$


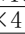


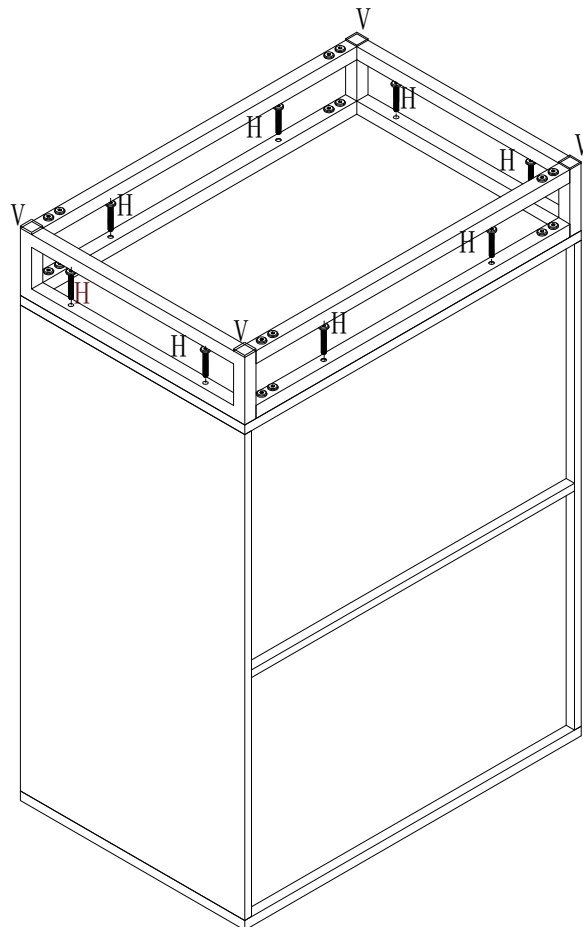
STEP 8

G -  × 16






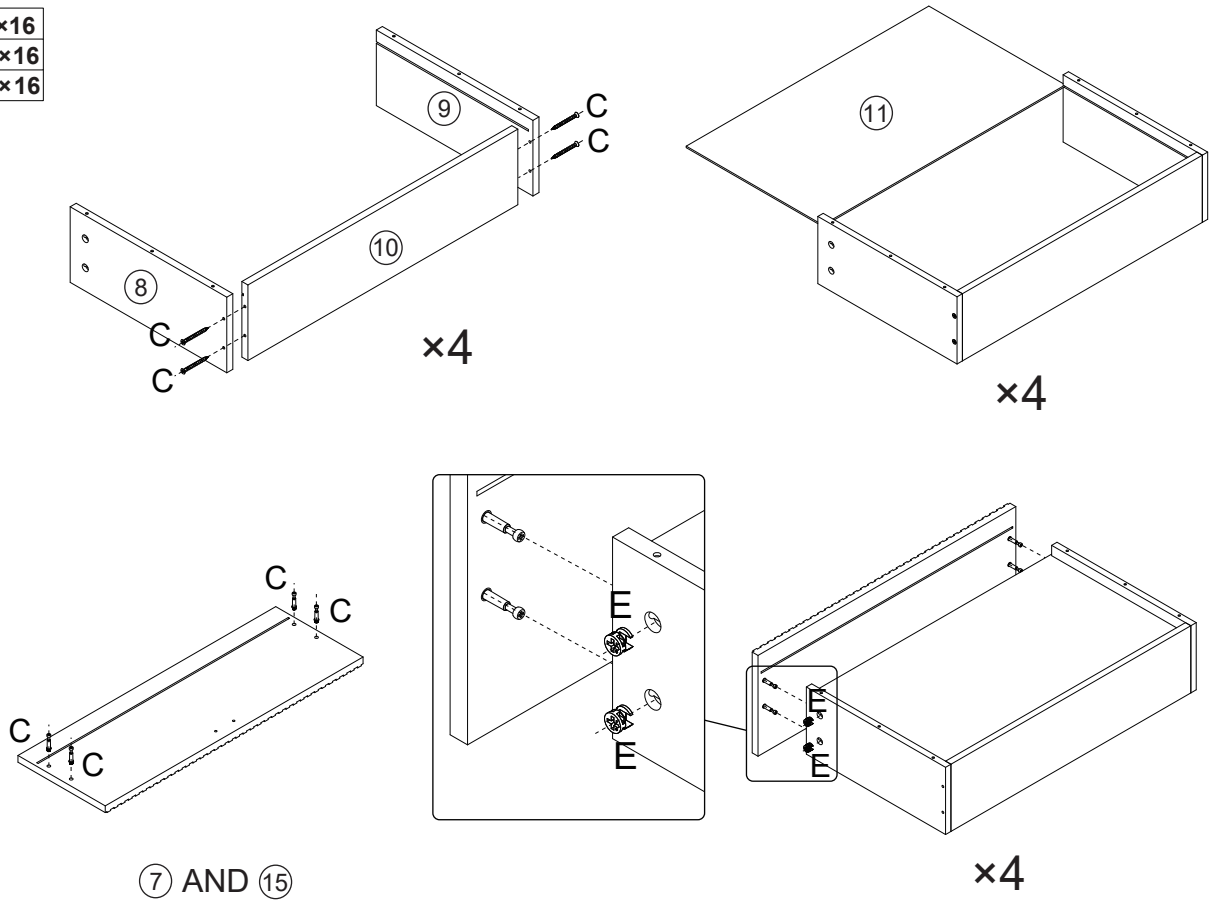
STEP 9

H -  × 10
V -  × 4





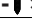


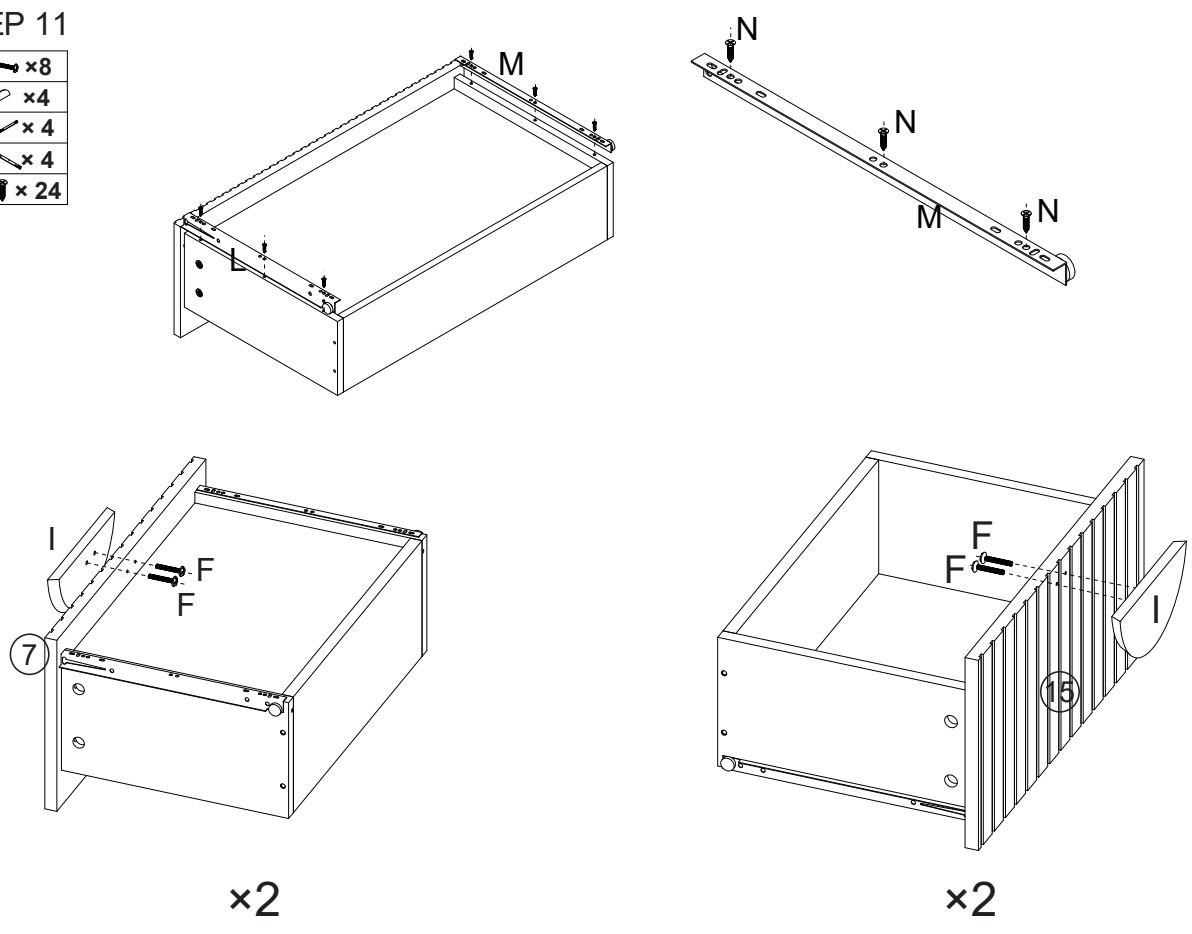
STEP 10

- C -  x16
- D -  x16
- E -  x16

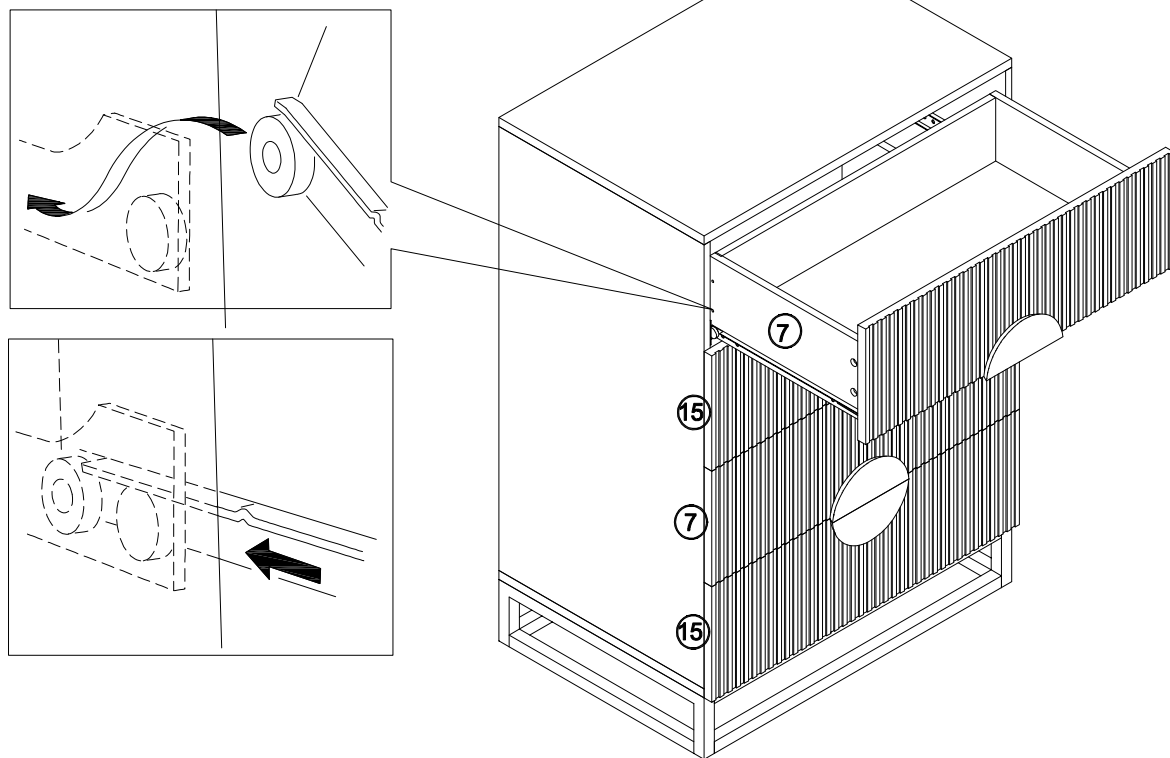


STEP 11






- F -  x8
- I -  x4
- L -  x4
- M -  x4
- N -  x24

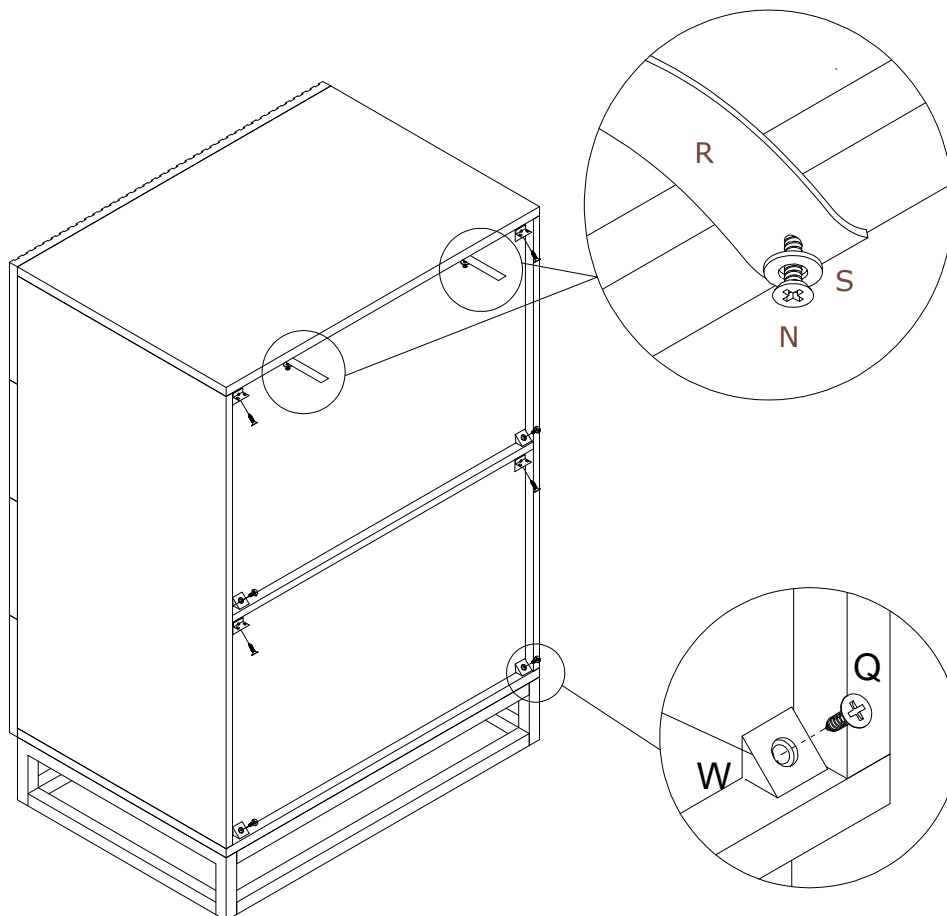


STEP 12



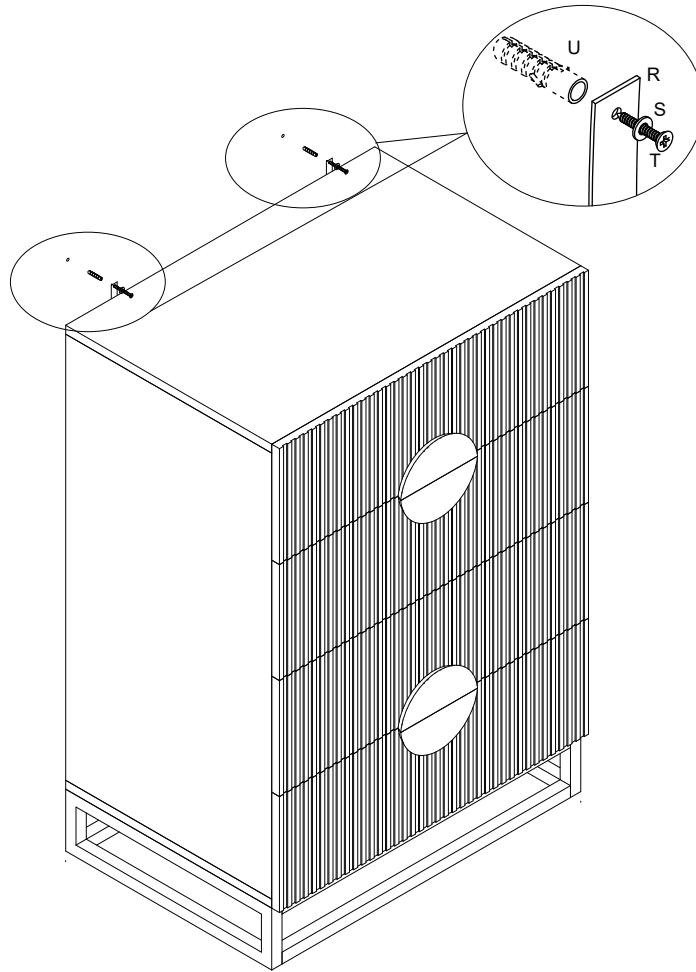
STEP 13

- N -  x 2
- W -  x 8
- Q -  x 8
- R -  x 2
- S -  x 2


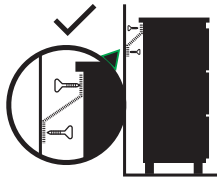


STEP 14

S - @	x 2
T -	x 2
U -	x 2




⚠ WARNING

Children have died from furniture tipover.

- ALWAYS secure it with an anchor device.
- NEVER allow children to stand, climb or hang on drawers, doors, or shelves.
- NEVER open more than one drawer at a time.
- Place heavy items down low.

NEVER put a TV on this furniture



This is a permanent label. Do not remove!

TOPPLING FURNITURE WARNING:

- **It is strongly recommended that this product is permanently fixed to the wall.**
- **Please seek professional advice if you are in doubt of what fixing device to use.**
- **Regularly check that anchors are securely maintained.**
- **Use safety drawer locks to prevent children climbing.**
- **Stability of tall items may be affected by thick pile carpet or uneven floors .**
- **Do not place unanchored televisions on furniture .**

CAUTION: for your safety when attaching the anchor fixings, please note the following:

- **Check any electrical wires or plumbing inside the wall before drilling any holes (if you are unsure please seek professional advice from a qualified tradesperson).**



WARNING: PLEASE SECURE YOUR FURNITURE WITH THE SUPPLIED WALL FIXING. SCAN THE CODE FOR MORE INFORMATION.

