

Assembly Instructions


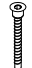







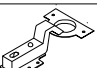

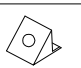







43484225 STEVIE CABINET

CARE INSTRUCTIONS: WIPE CLEAN WITH A SOFT DAMP CLOTH. NEVER USE SCOURERS, ABRASIVES OR CHEMICAL SOLVENTS. KEEP AWAY FROM MOISTURE AND DIRECT SUNLIGHT. STORE IN A DRY PLACE. FOR INDOOR USE ONLY.

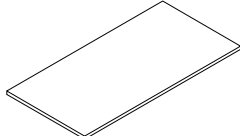
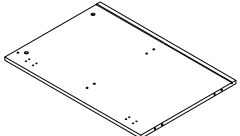
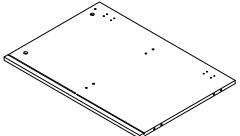
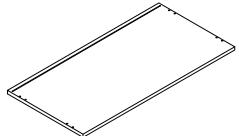
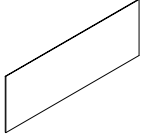
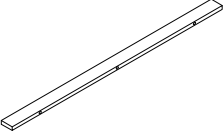
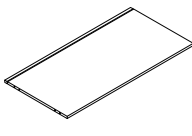
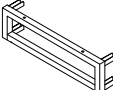
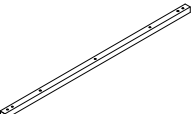
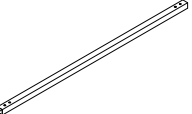


WARNING: DO NOT STAND, SIT OR LEAN ON THE UNIT. DO NOT USE THIS UNIT AS A STEP LADDER. ENSURE THIS UNIT IS USED ONLY ON A FLAT SURFACE. DO NOT USE THIS UNIT UNLESS ALL BOLTS AND SCREWS ARE FIRMLY SECURED. DO NOT PLACE HOT OBJECTS SUCH AS COFFEE CUPS DIRECTLY ON THE SURFACE OF THIS FURNITURE ITEM. THIS ITEM IS FOR STORAGE PURPOSES ONLY. CONTAINS SMALL PARTS. IT IS TO BE ASSEMBLED BY AN ADULT. FAILURE TO FOLLOW THESE WARNINGS COULD RESULT IN SERIOUS INJURY.

MAXIMUM SAFE LOAD: 15kg FOR TOP, 10kg FOR EACH SHELF.

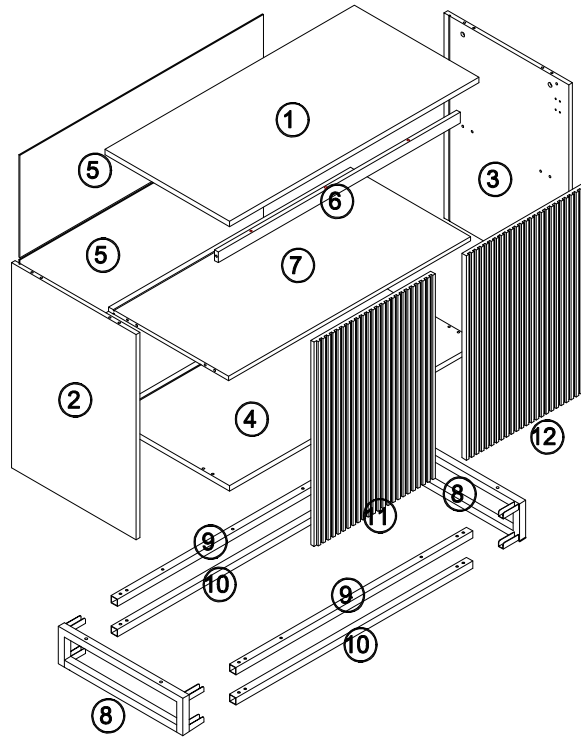
1 Hardware List

	A	8 × 30mm	14pcs		B	7 × 50mm	4pcs		C	3 × 12mm	26pcs
	D	6 × 35mm	8pcs		E	10 × 15mm	8pcs		F	4 × 25mm	4pcs
	G	6 × 12mm	16 pcs		H	6 × 25mm	10pcs		I		2pcs
	J		4pcs		K	4#	1pcs		L		8pcs
	M		2pcs		N	4 × 40mm	2pcs		O		4pcs
	P		2pcs		Q	3 × 14mm	8pcs		R	4 × 45mm	3pcs
	S		4pcs								

2 Parts List

	①	1pc		②	1pc		③	1pc		④	1pc
	⑤	2pcs		⑥	1pc		⑦	1pc		⑧	2pcs
	⑨	2pcs		⑩	2pcs		⑪	1pc		⑫	1pc

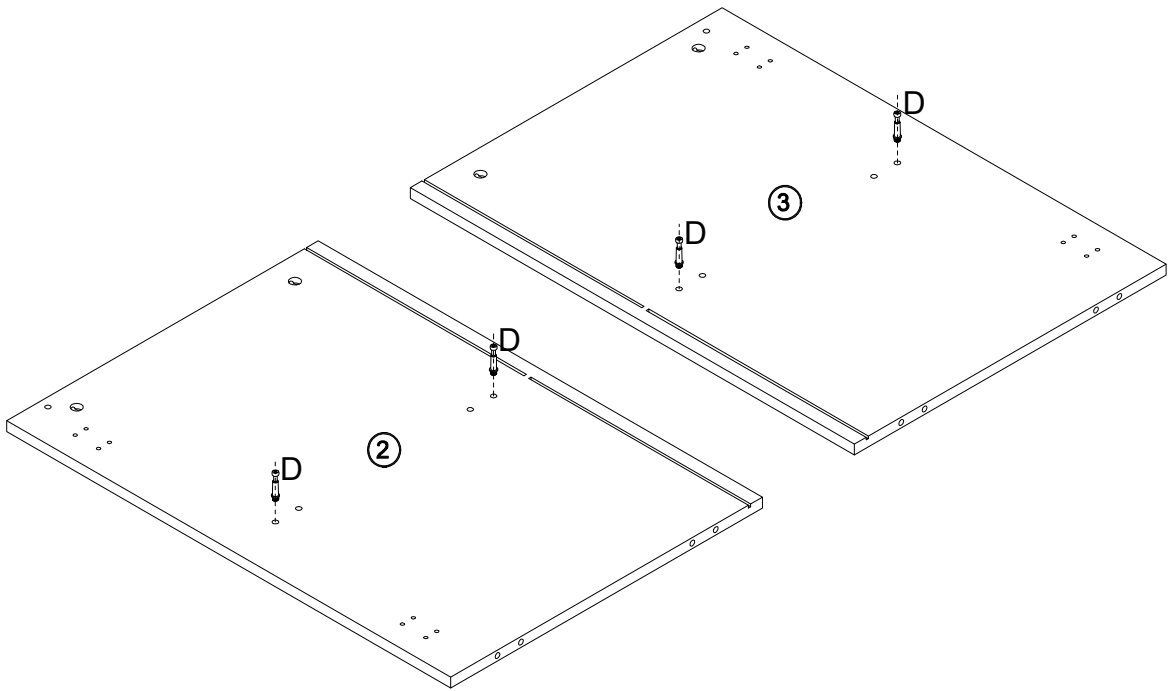
3



ATTENTION: DO NOT TIGHTEN THE SCREWS FULLY DURING ASSEMBLY. FULLY TIGHTEN SCREWS AFTER THE FINAL ASSEMBLY STEP.

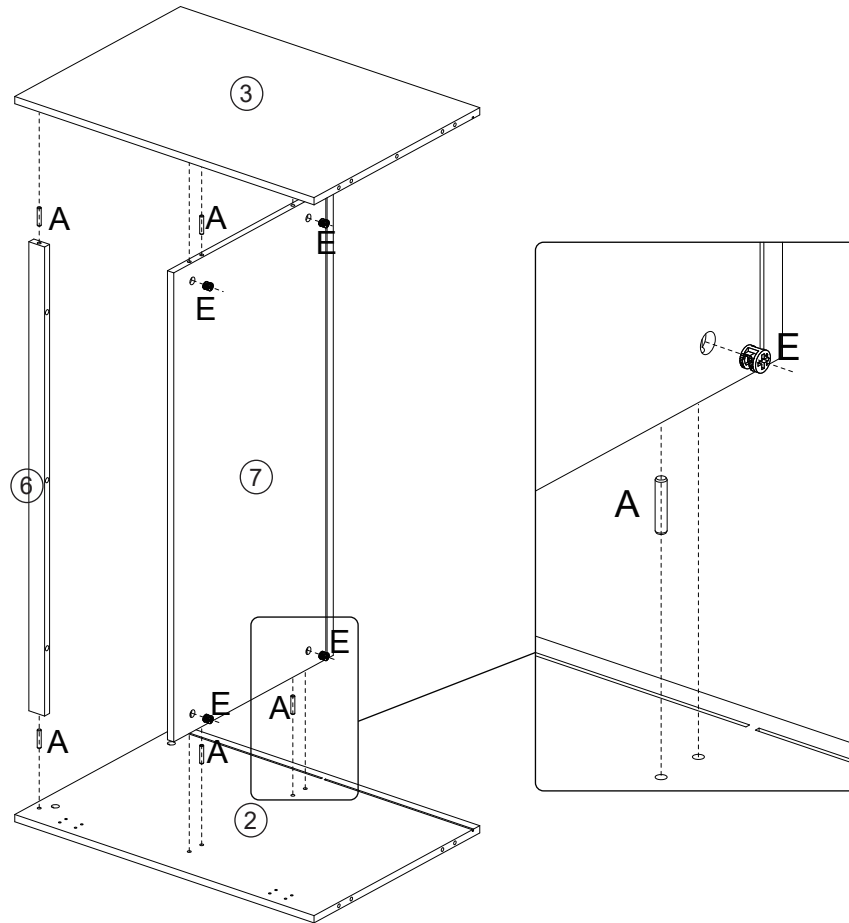
STEP 1

D - $\bar{\bar{I}} \times 4$

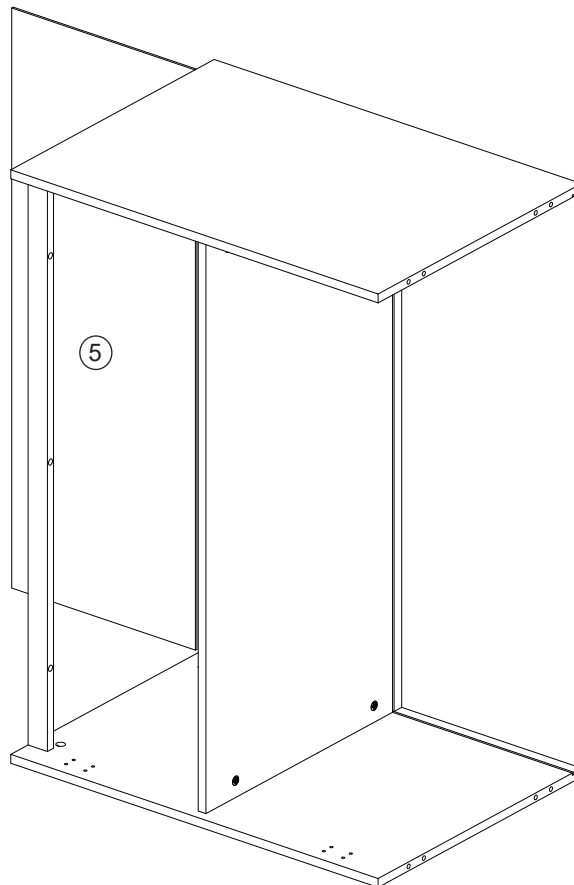


STEP 2


- A - $\emptyset \times 6$
- E - $\emptyset \times 4$

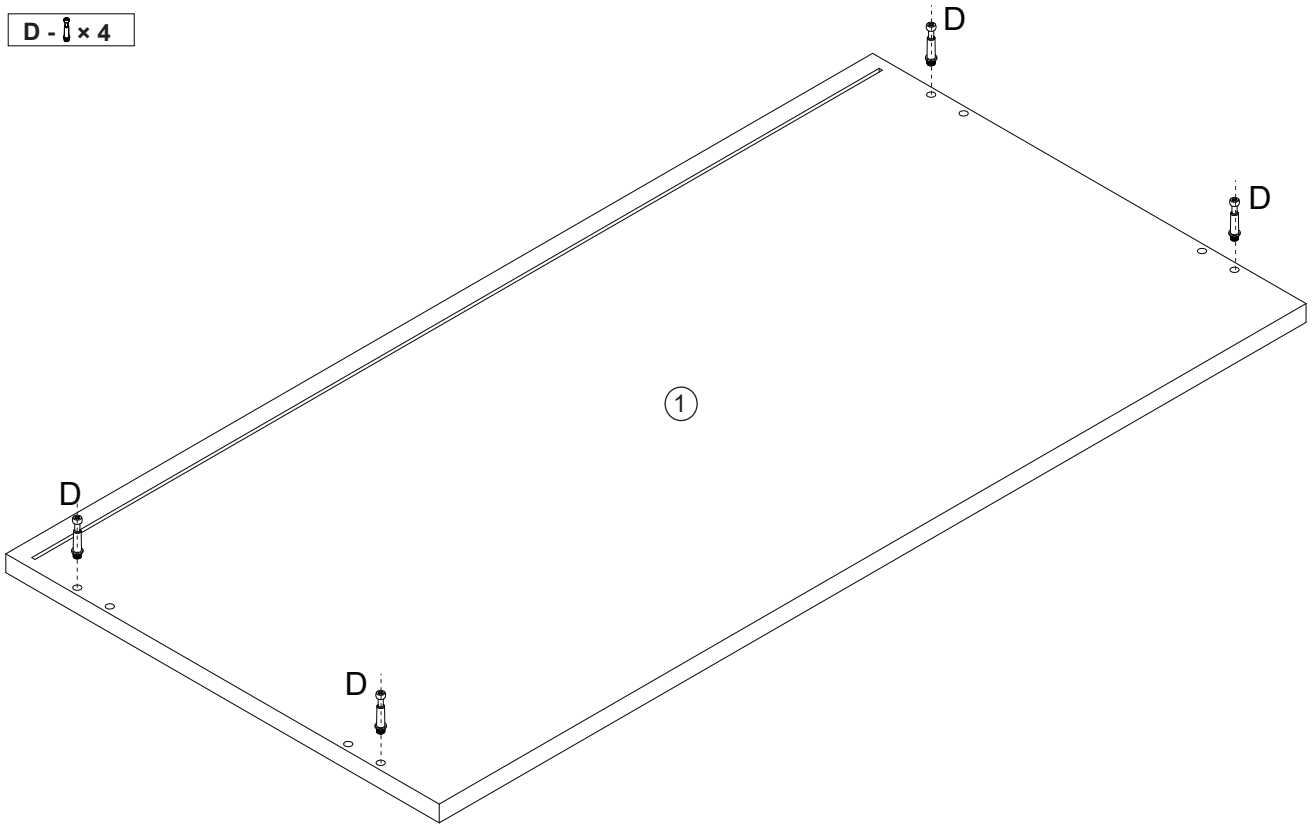


STEP 3




STEP 4

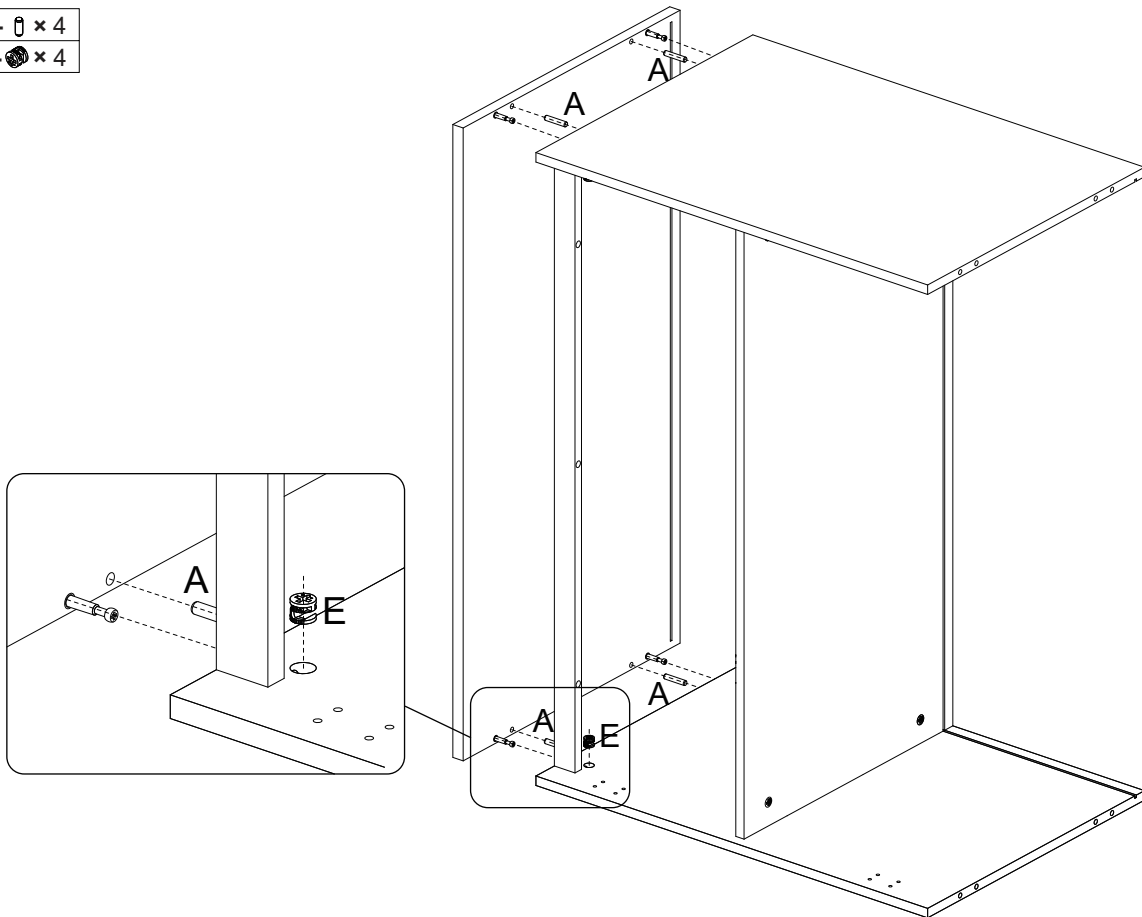
D -  x 4




STEP 5

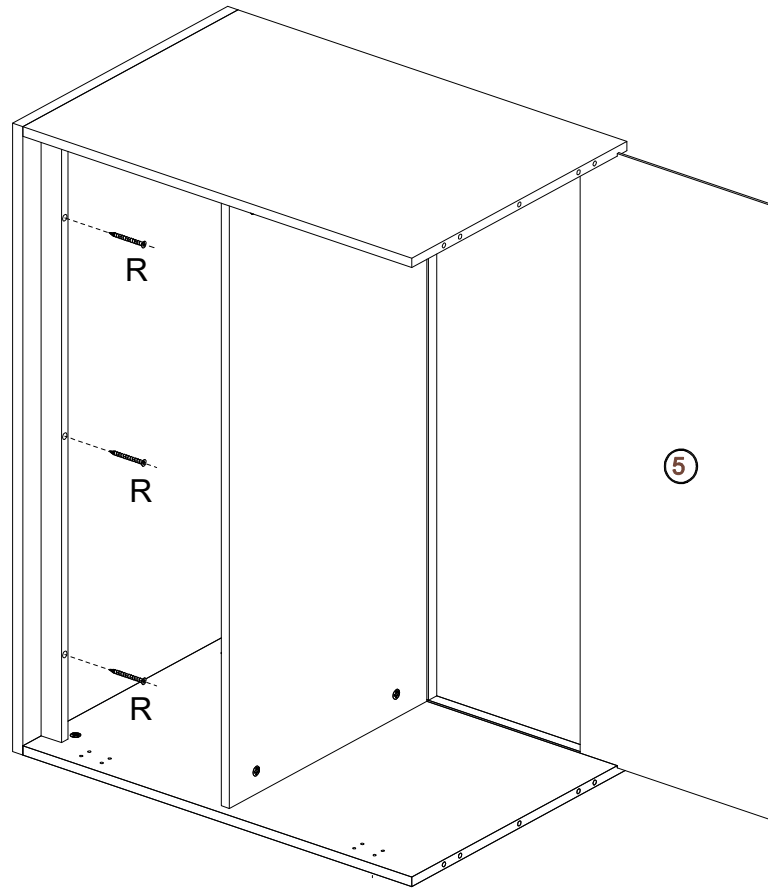
A -  x 4

E -  x 4





STEP 6

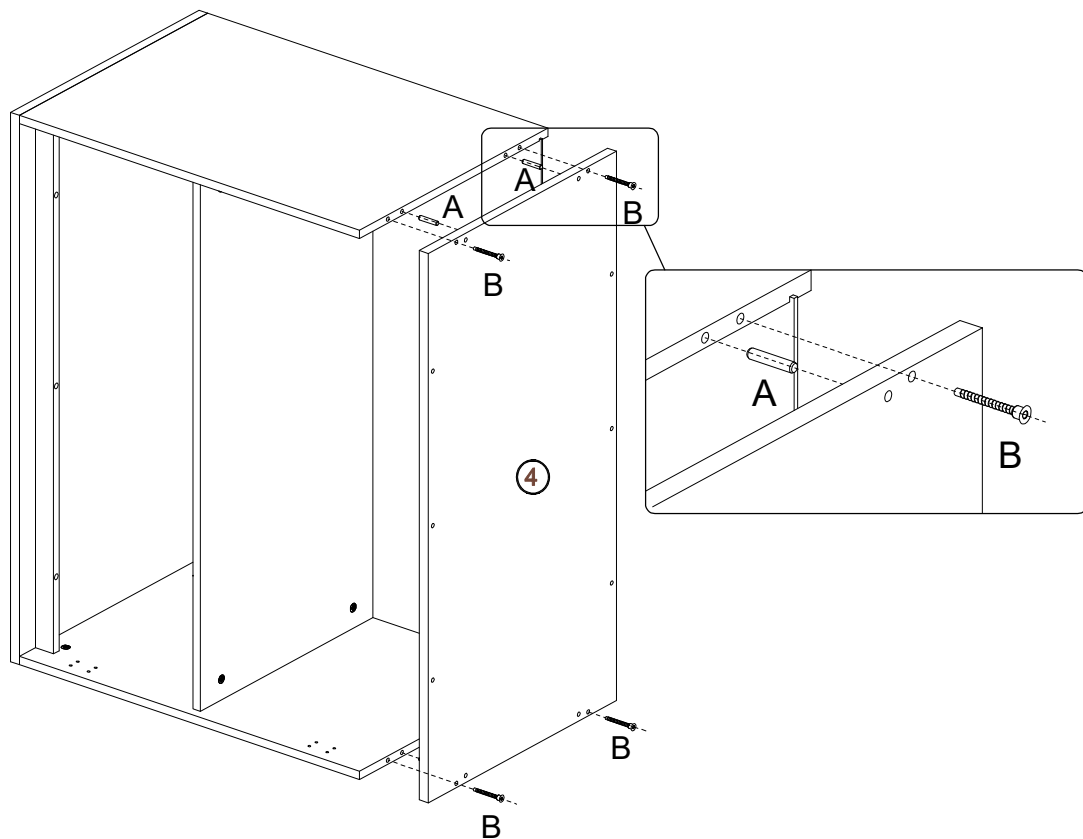
R -  x 3



STEP 7

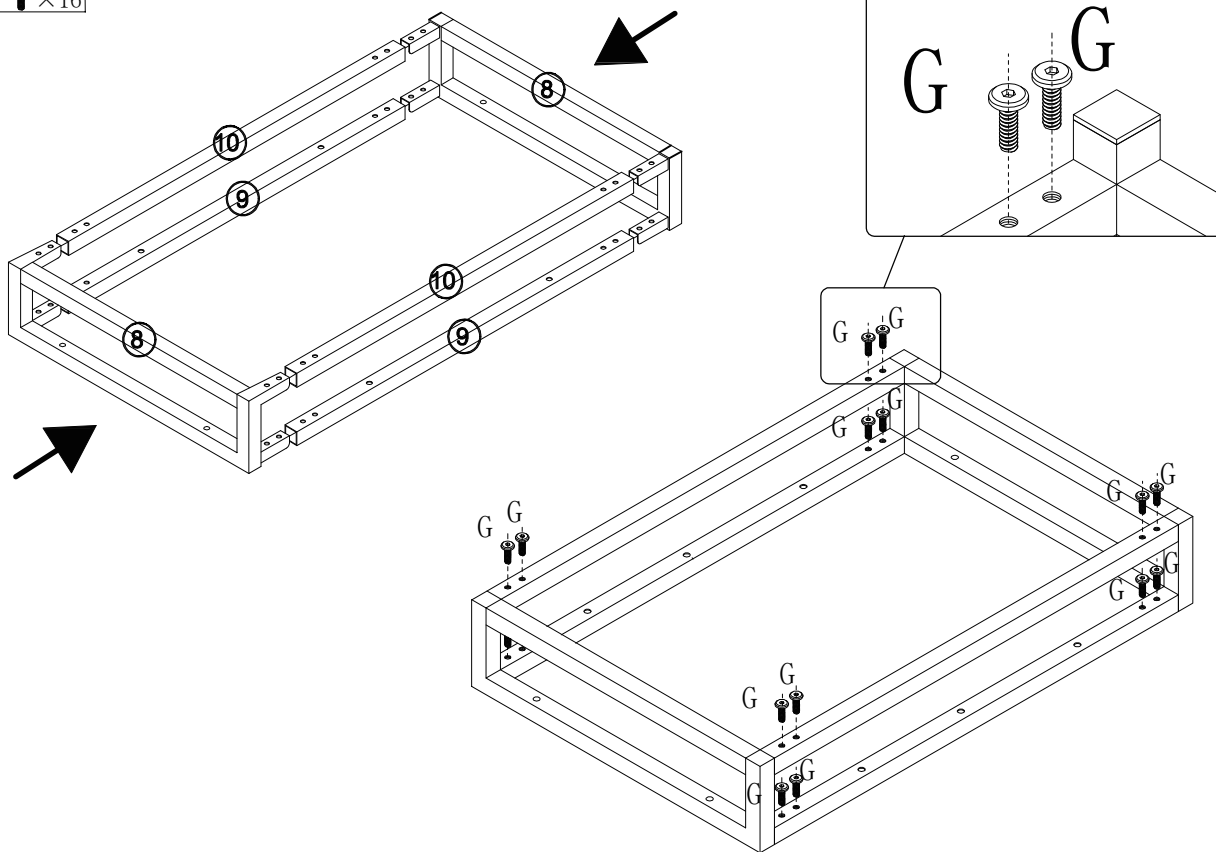
A -  x 4

B -  x 4



STEP 8

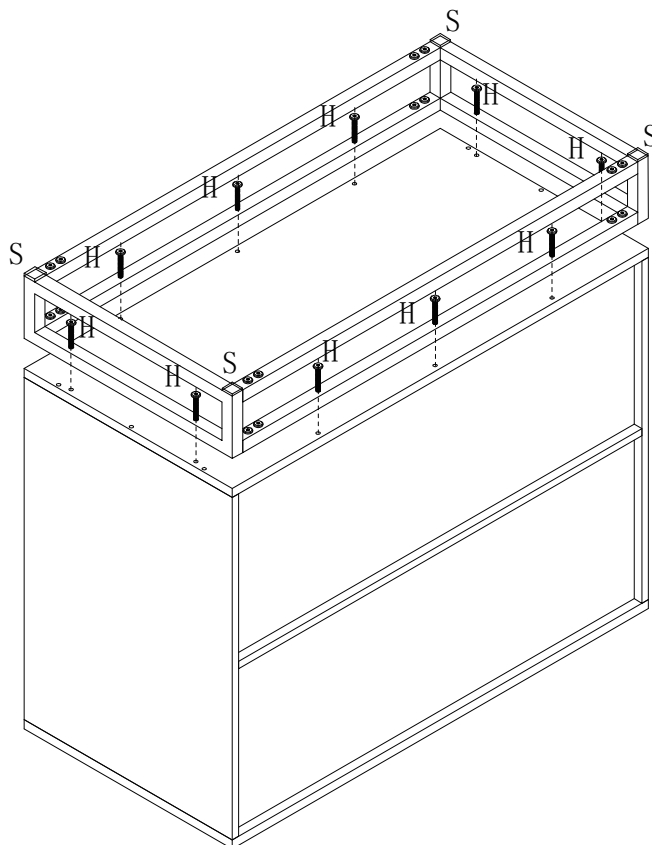
G -  × 16



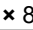
STEP 9

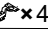
H -  × 10

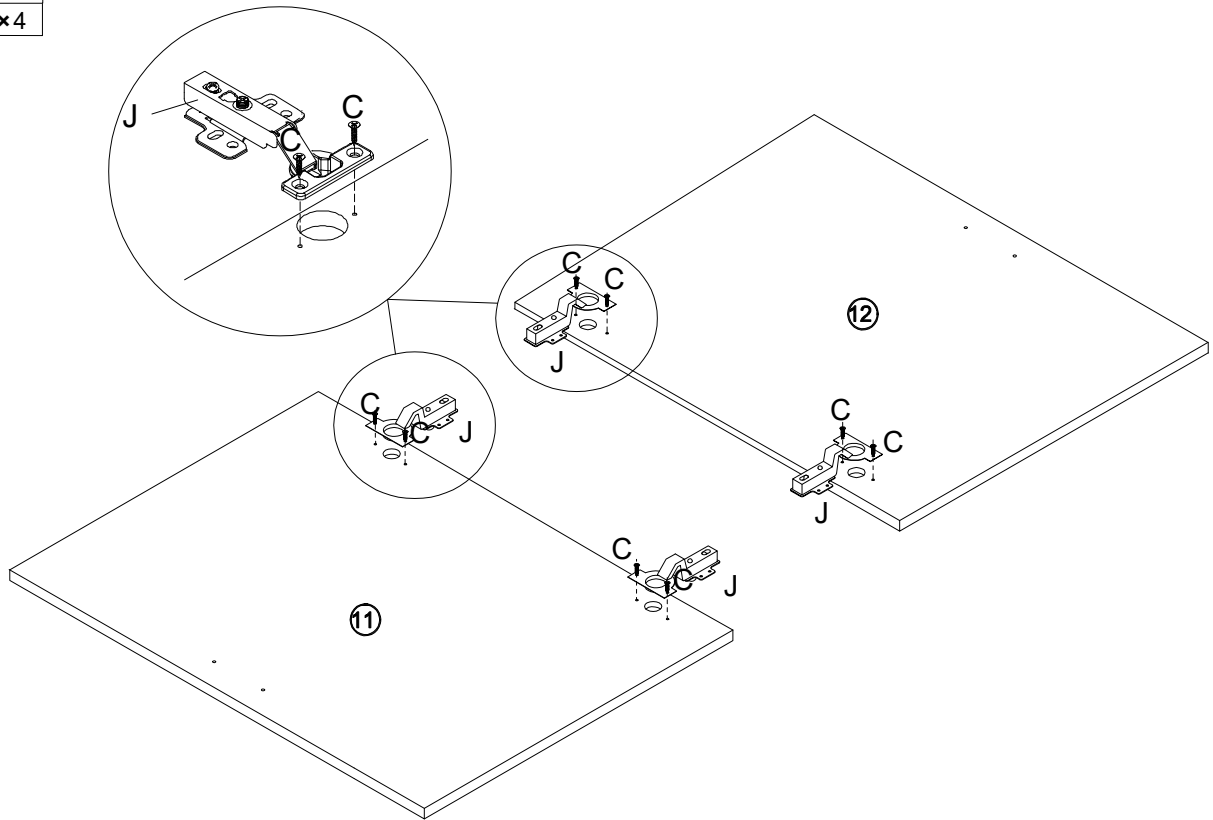
S -  × 4



STEP 10

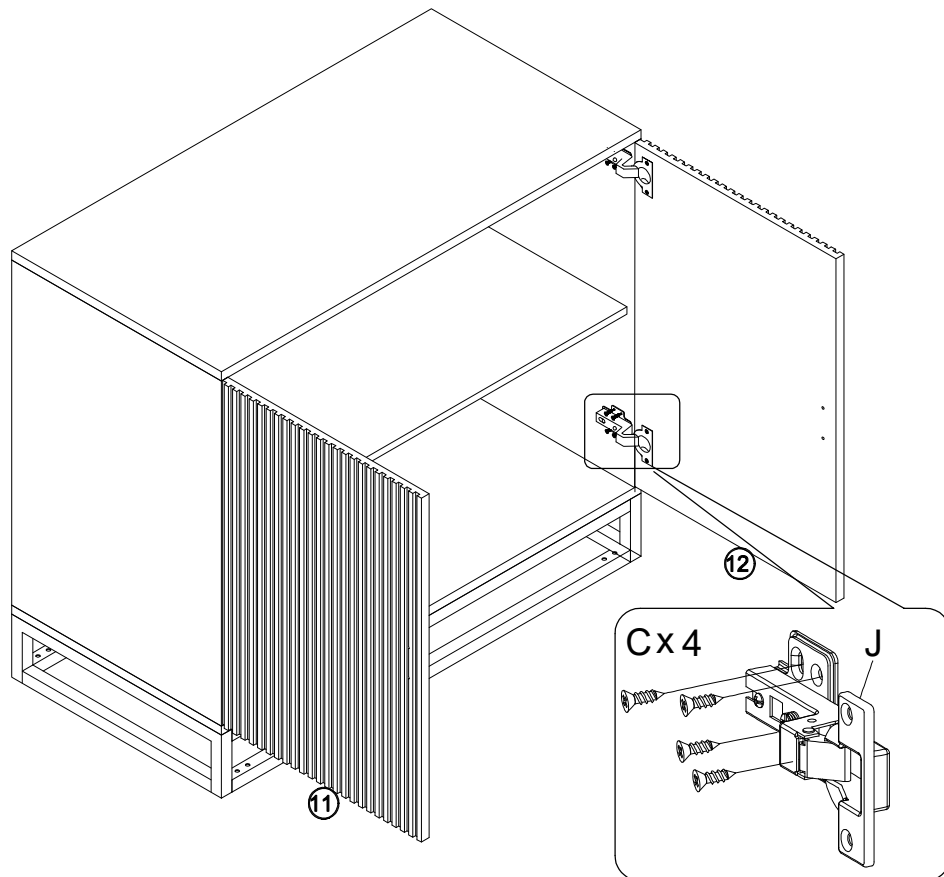
C -  x 8

J -  x 4





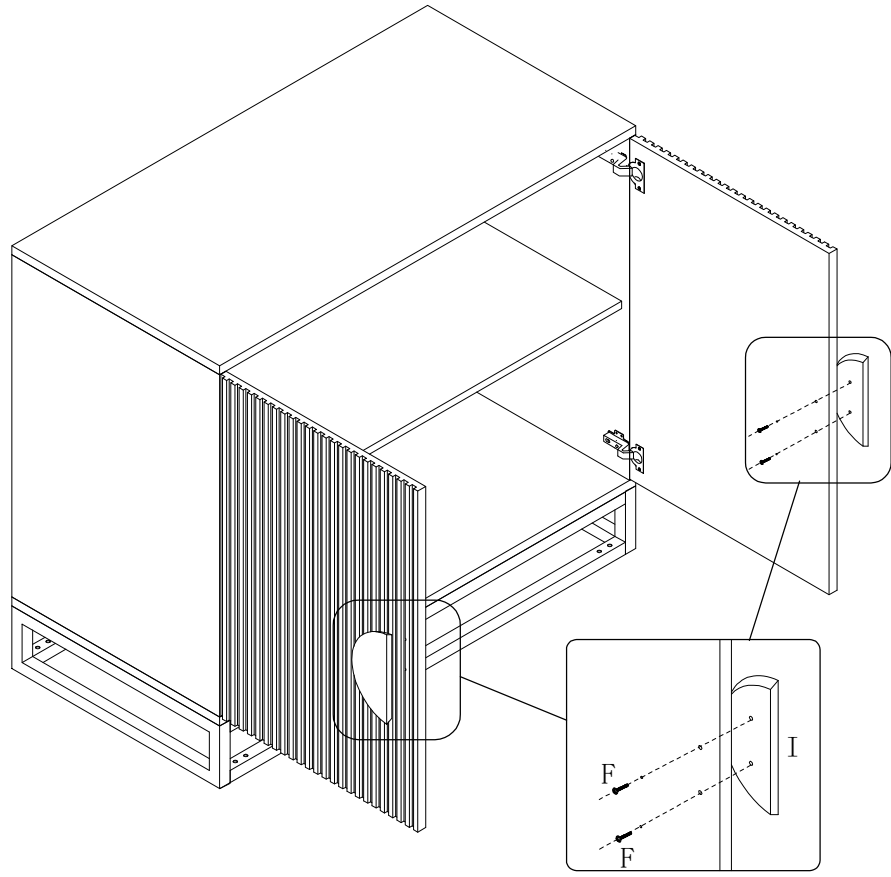
STEP 11

C -  x 16




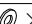



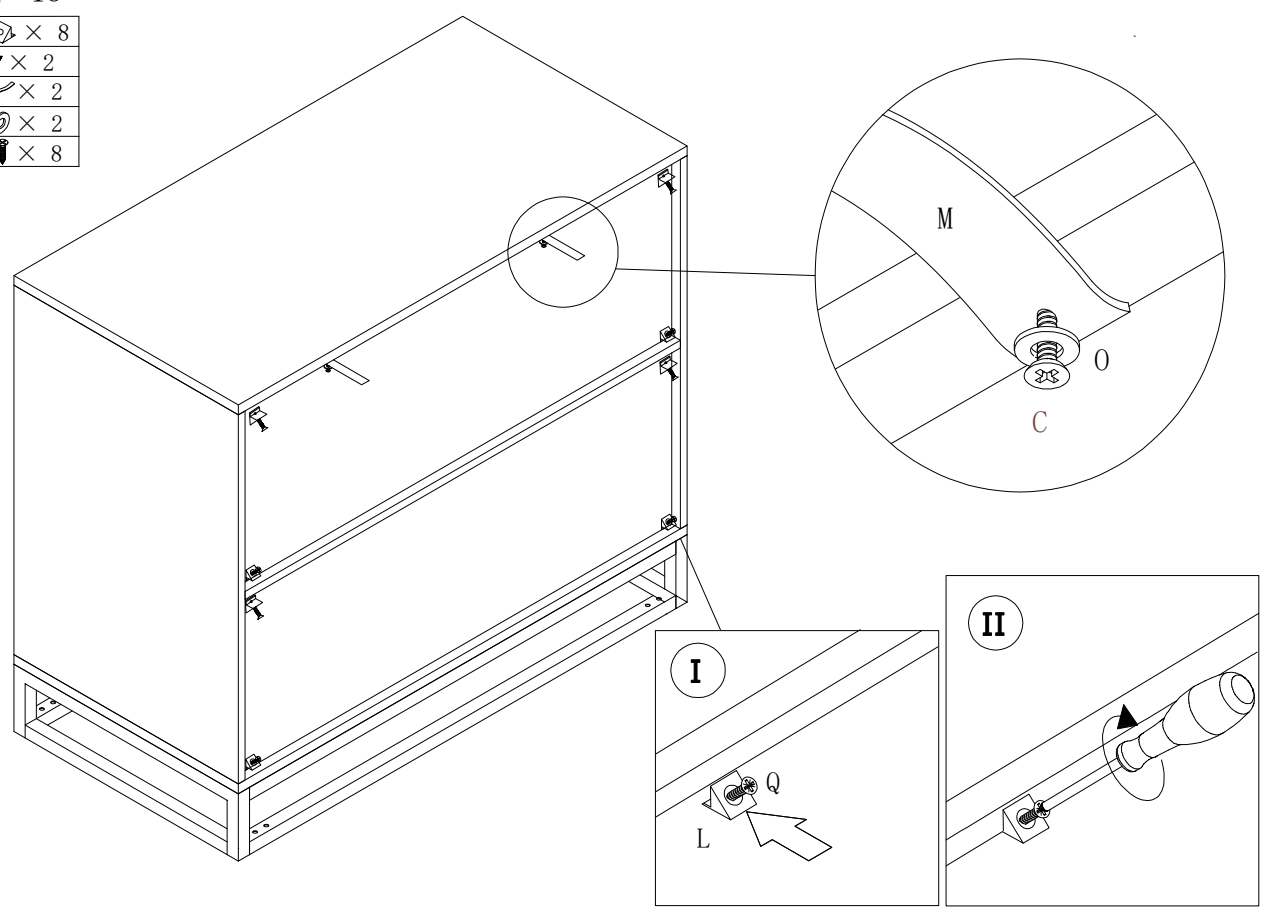
STEP 12

- F -  × 4
- I -  × 2



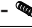


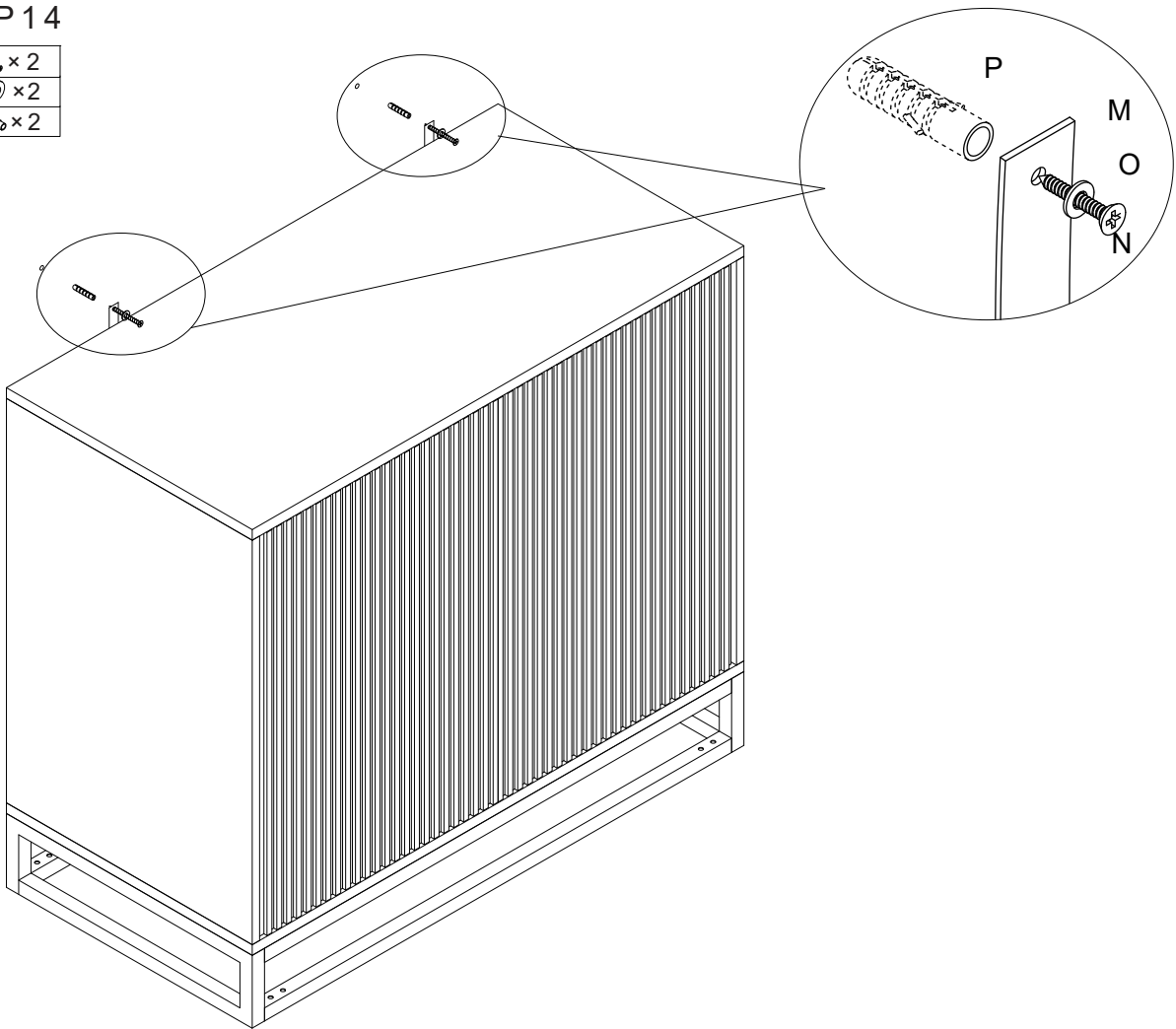
STEP 13

- L -  × 8
- C -  × 2
- M -  × 2
- O -  × 2
- Q -  × 8




STEP 14

- N -  × 2
- O -  × 2
- P -  × 2



⚠ WARNING




Children have died from furniture tipover.

- ALWAYS secure it with an anchor device.
- NEVER allow children to stand, climb or hang on drawers, doors, or shelves.
- NEVER open more than one drawer at a time.
- Place heavy items down low.
- Furniture type is at risk of toppling over.

NEVER put a TV on this furniture 

This is a permanent label. Do not remove!

TOPPLING FURNITURE WARNING:

- **It is strongly recommended that this product is permanently fixed to the wall.**
- **Please seek professional advice if you are in doubt of what fixing device to use.**
- **Regularly check that anchors are securely maintained.**
- **Use safety drawer locks to prevent children climbing.**
- **Stability of tall items may be affected by thick pile carpet or uneven floors .**
- **Do not place unanchored televisions on furniture .**

CAUTION: for your safety when attaching the anchor fixings, please note the following:

- **Check any electrical wires or plumbing inside the wall before drilling any holes (if you are unsure please seek professional advice from a qualified tradesperson).**



TOPPLING HAZARD

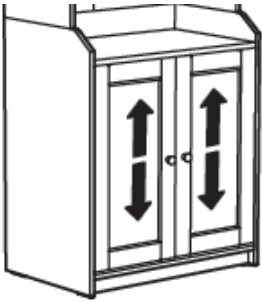
WARNING: PLEASE SECURE YOUR FURNITURE WITH THE SUPPLIED WALL FIXING. SCAN THE CODE FOR MORE INFORMATION.



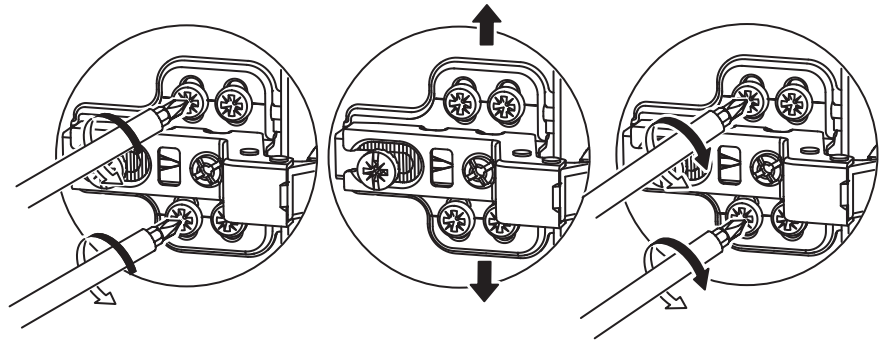
Hinger Adjustment Tips

Noted: The door might be scraping, bumping, misaligned when first assembly.

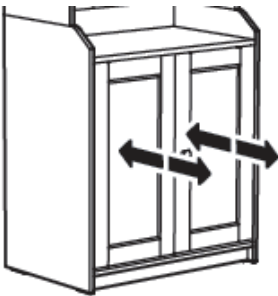
Please follow the below tips:



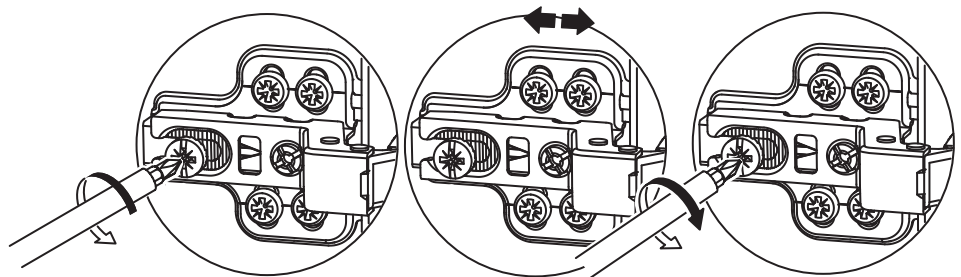
Adjust the door up and down



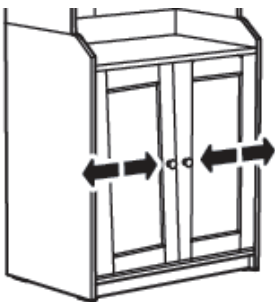
1. Loosen the two mounting screws on both hinges, but only slightly. ...
2. Gently close the cabinet door.
3. With the door still closed, adjust the cabinet door to the desired height.
4. Open the cabinet door again, being careful not to jostle the door out of position.
5. Retighten the screws by hand.



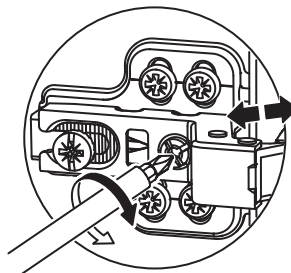
Move the door in and out



If the door doesn't meet the box at the top, adjust the top hinge toward the cabinet and/or adjust the bottom hinge away from the cabinet. If the door is gapped at the bottom, do the reverse.



Move the door right or left



You can adjust one or both hinges on each door, depending on how much correction it needs. If the door seems to be tilting down to the right, turn the side-to-side screw on the top hinge so the hinge pulls closer to the side of the cabinet box, moving the top of the door to the left.