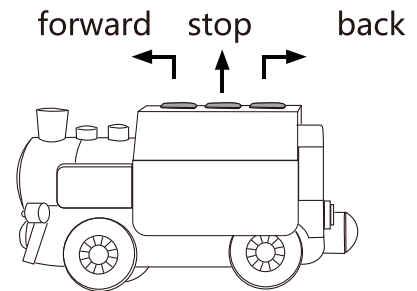


## Train function:

Press the forward button to move the train forward.

Press the backward button to move the train backward.

Press the stop button to stop the train.



## Remote control function:

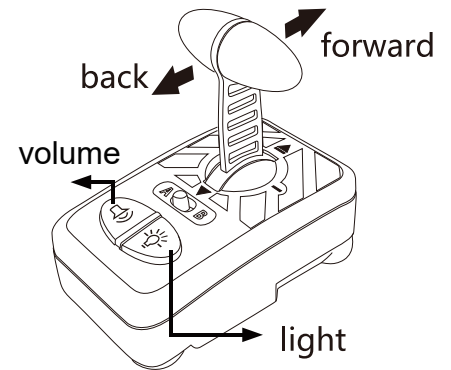
After successful pairing,

Push the remote joystick forward to move the train forward.

Push the joystick backward to move the train backward.

Press the sound button to control the volume of the train.

Press the light button to control the lighting of the train.

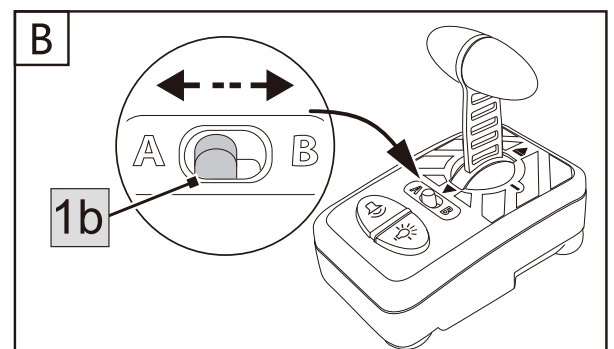
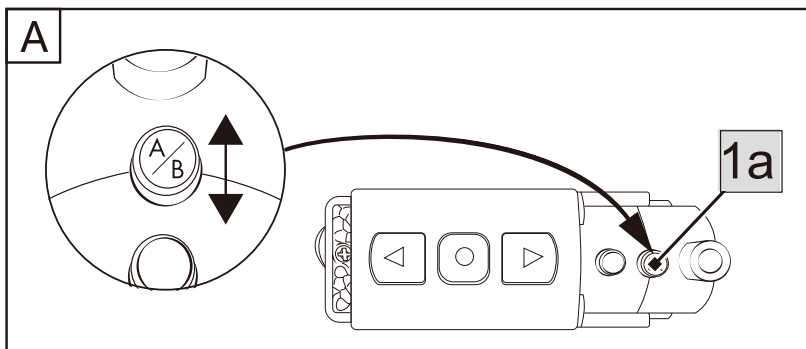


## Pairing function:

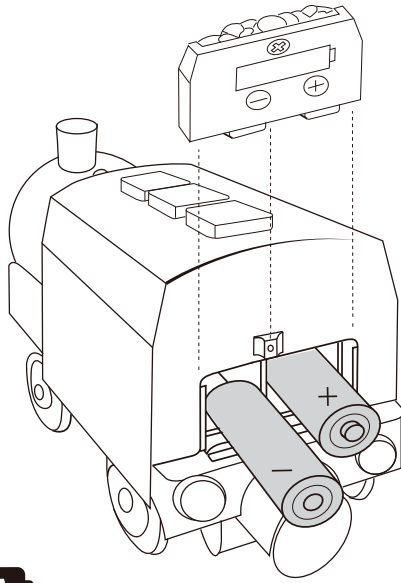
Set the button on train (Diagram A) and the switch on remote control (Diagram B) to the same channel to complete the pairing.

This can be either Channel A or B.

Once the train and remote are on the same channel, the pairing will become successful.

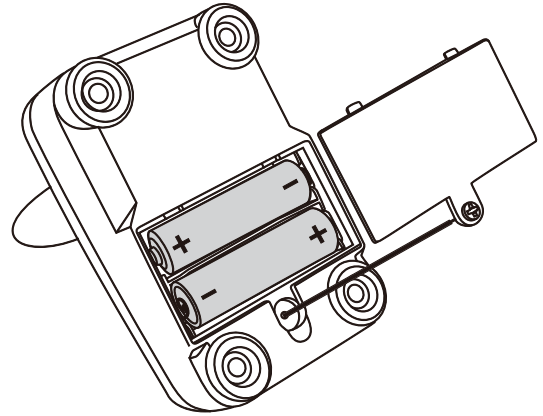


## Battery installation:



**2 X AAA**

REQUIRES 2×1.5V AAA  
BATTERIES (NOT INCLUDED)



**2 X AA**

REQUIRES 2×1.5V AA  
BATTERIES (NOT INCLUDED)

**CAUTION:** BATTERY INSTALLATION BY AN ADULT REQUIRED.

**WARNING:** BATTERIES ARE TO BE INSERTED WITH THE CORRECT POLARITY (+ AND -). DO NOT MIX DIFFERENT TYPES OF BATTERIES OR NEW AND USED BATTERIES. NON-RECHARGEABLE BATTERIES ARE NOT TO BE RECHARGED. RECHARGEABLE BATTERIES ARE ONLY TO BE CHARGED UNDER ADULT SUPERVISION. RECHARGEABLE BATTERIES ARE TO BE REMOVED FROM THE TOY BEFORE BEING CHARGED. THE SUPPLY TERMINALS ARE NOT TO BE SHORT-CIRCUITED. REMOVE BATTERIES FROM THE PRODUCT WHEN NOT IN USE FOR EXTENDED TIME OR WHEN BATTERIES BECOME EXHAUSTED. DISPOSE OF BATTERIES RESPONSIBLY. DO NOT DISPOSE OF IN FIRE.



**WARNING:** THIS TOY CONTAINS SMALL MAGNETS. MAGNETS STICKING TOGETHER OR BECOMING ATTACHED TO A METALLIC OBJECT INSIDE THE HUMAN BODY CAN CAUSE SERIOUS OR FATAL INJURY. SEEK IMMEDIATE MEDICAL HELP IF MAGNETS ARE SWALLOWED OR INHALED.

**ADULT SUPERVISION REQUIRED.  
PLEASE KEEP THE PACKAGING FOR FUTURE REFERENCE.**