

18cm

## Instruction Manual



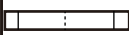
K: 43494323 | T: 70293449 Rotating Corner Bathroom Shelf

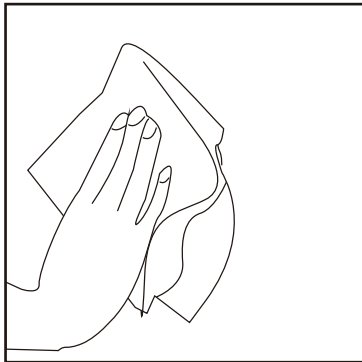
### ATTACHMENT INSTRUCTION:

Suitable for smooth tile, glass or mirror, thoroughly clean surface and let dry. Peel off film from adhesive and carefully stick to the surface, ensuring shelf is level. Wait 24 hours before use. Adult assembly required. Failure to follow these warnings could result in serious injury. Can be removed with hair dryer, heat the tape for 3-5 minutes to make it warm, then remove residual with methylated spirits.

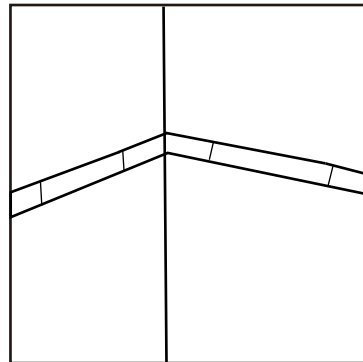
THE MAX LOADING WEIGHT IS 3KG.

### Parts List

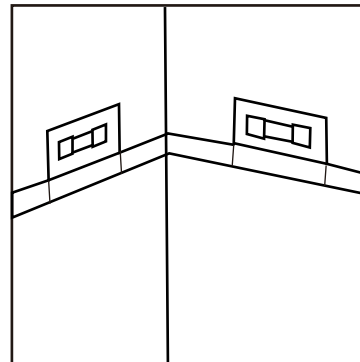
	Sticker	2 PCS		Shelf	1 PC		Reference line	1 PC
---	---------	-------	---	-------	------	--	----------------	------



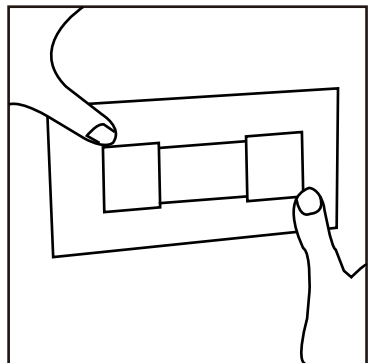
1. Select a location, clean and keep it dry.



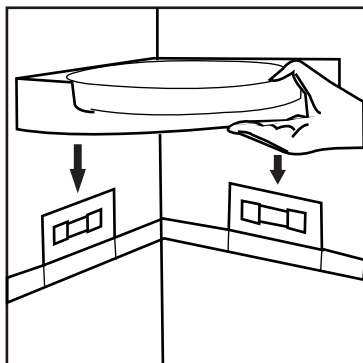
2. Fold the reference line along to the corner folding line, make this line perpendicular to the wall.



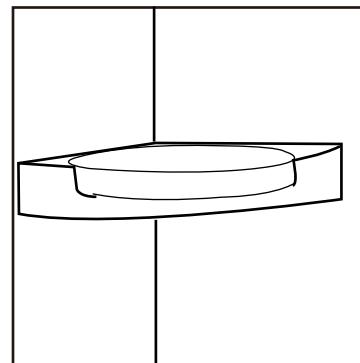
3. Tear off the adhesive tape, attach the sticker on above of the reference line.



4. Press the sticker to make it flat without bubbles and keep it stand for 24 hours.



5. Align the shelf with the sticker position, insert the shelf downward and make it tightly.



6. keep shelf stand for few hours, then can use it.

18cm