

Assembly Instruction

43495207 NATE HALL TABLE

CARE INSTRUCTIONS:





WIPE CLEAN WITH A SOFT DAMP CLOTH. DO NOT USE ABRASIVE MATERIALS AND SOLVENTS. CHECK AND TIGHTEN ALL PARTS REGULARLY. DO NOT PLACE HOT ITEMS SUCH AS COFFEE CUPS DIRECTLY ON THE SURFACE. KEEP AWAY FROM WATER AND DIRECT SUNLIGHT. STORE IN A DRY PLACE. FOR DOMESTIC USE ONLY. FOR INDOOR USE ONLY. A MILD ODOUR MAY BE PRESENT WHEN FIRST OPENING THIS CARTON. SIMPLY ALLOW TO AIR OUTSIDE AND THIS WILL FADE.





WARNING:





DO NOT STAND OR SIT ON THIS UNIT. DO NOT USE THIS UNIT UNLESS ALL BOLTS AND SCREWS ARE FIRMLY SECURED. DO NOT KNOCK OR DRAG THIS UNIT. USE ONLY ON A FLAT SURFACE. LOAD SHELF EVENLY TO PREVENT FROM TIPPING OVER. THIS PACKAGE CONTAINS SMALL PARTS AND SHARP POINTS. KEEP AWAY FROM CHILDREN AND BABIES. ADULT ASSEMBLY REQUIRED. FAILURE TO FOLLOW THESE WARNINGS COULD RESULT IN SERIOUS INJURY.

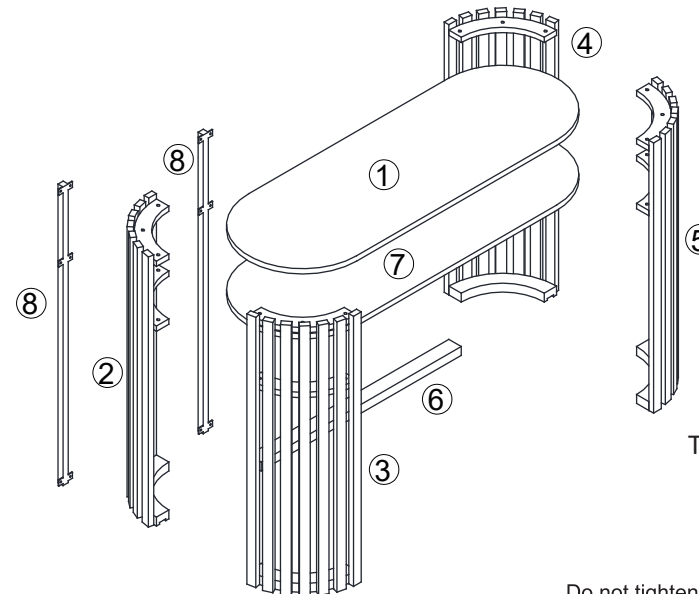
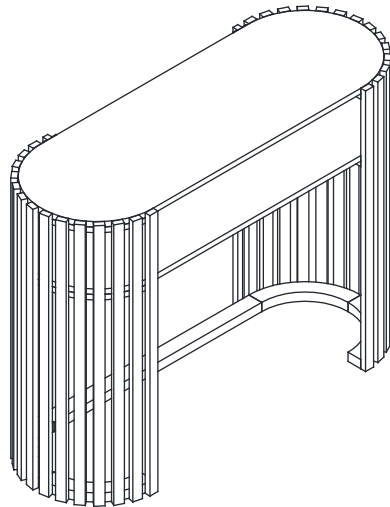
MAXIMUM SAFE LOAD: 20KG FOR TABLE TOP, 10KG FOR SHELF.

Hardware List

	A	6x18mm	24pcs
	B		1pc
	C	6x10mm	16pcs
	D		2pcs

	E		2pcs
	F	4x16mm	12pcs
	G	Felt Foot Pad	6pcs
	H	Paper Cover	24pcs

	I	4x14mm	1pc
	J		1pc
	K		1pc
	L	4x35mm	1pc

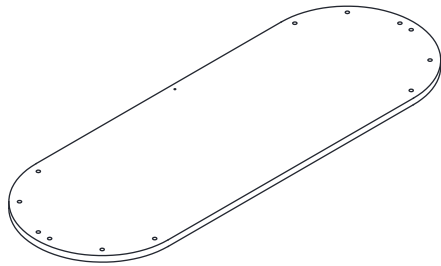


Tool Required (Not Provided)



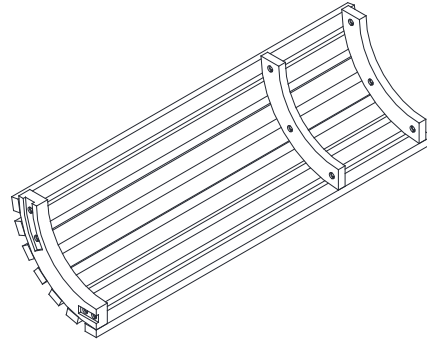
Do not tighten the screws fully during assembly.
Fully tighten screws after the final assembly steps.

Part List



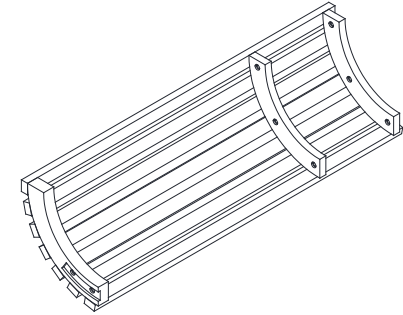
①

1 PC



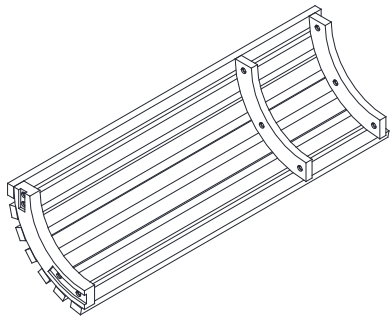
②

1 PC



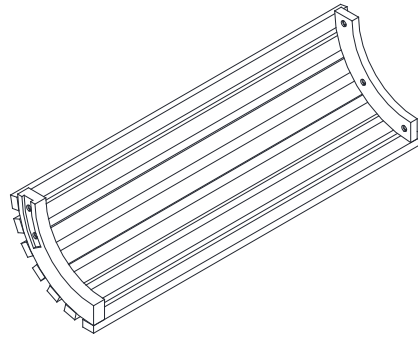
③

1 PC



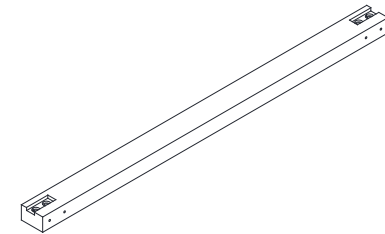
④

1 PC



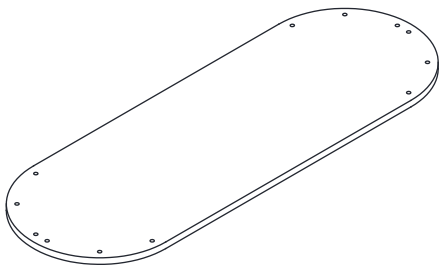
⑤

1 PC



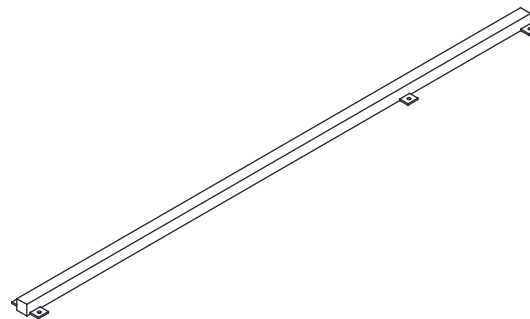
⑥

1 PC



⑦

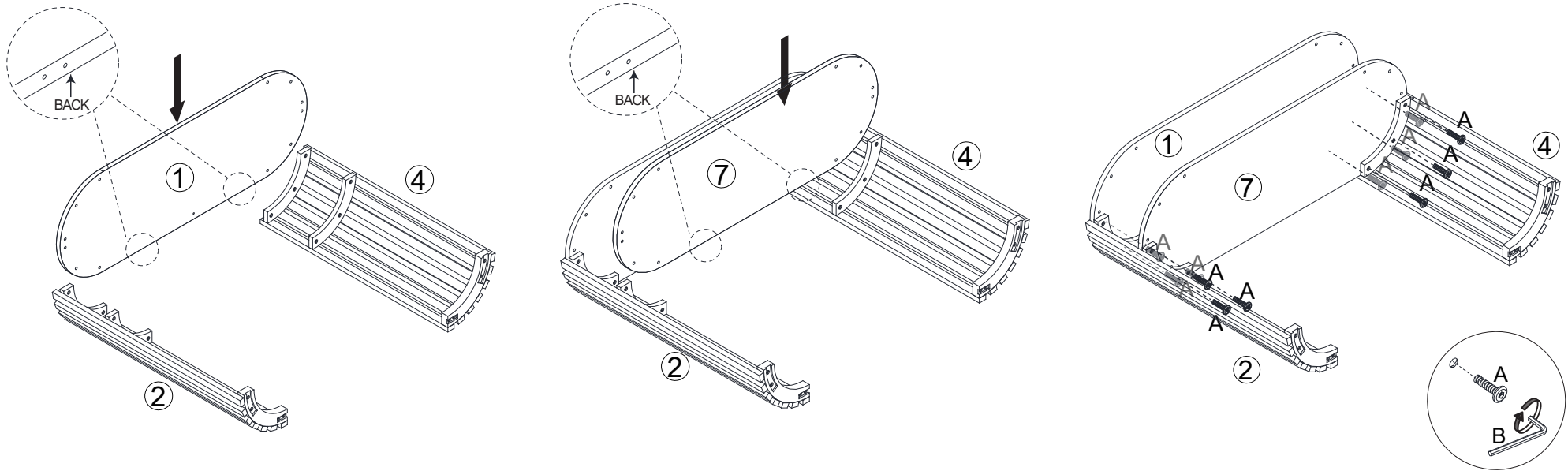
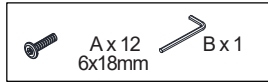
1 PC



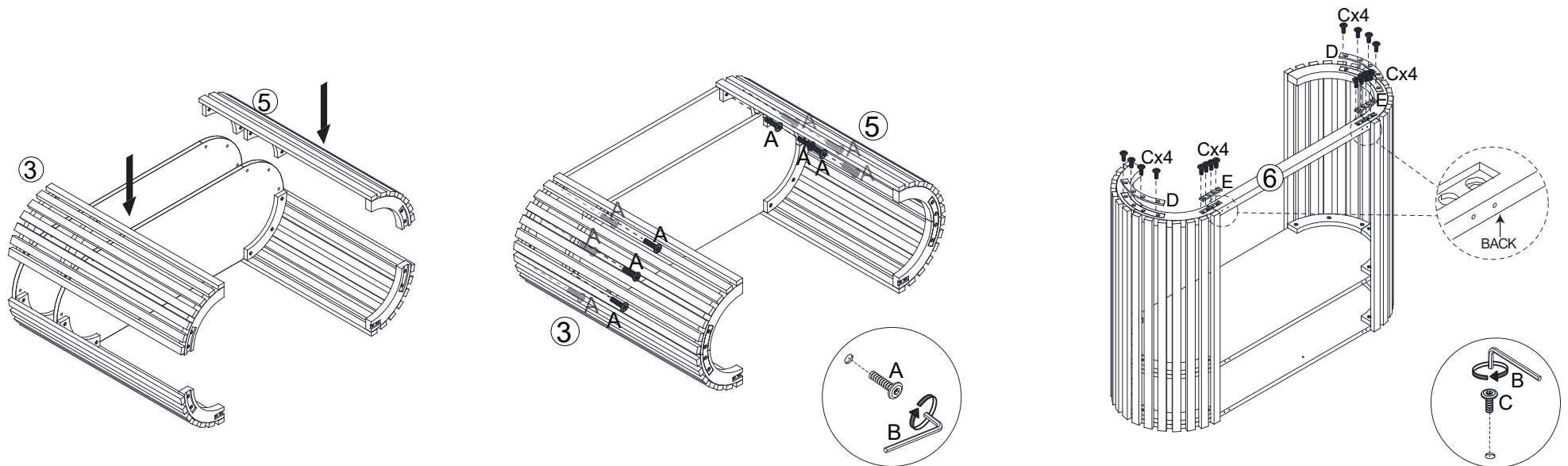
⑧

2 PCS






Step 1:

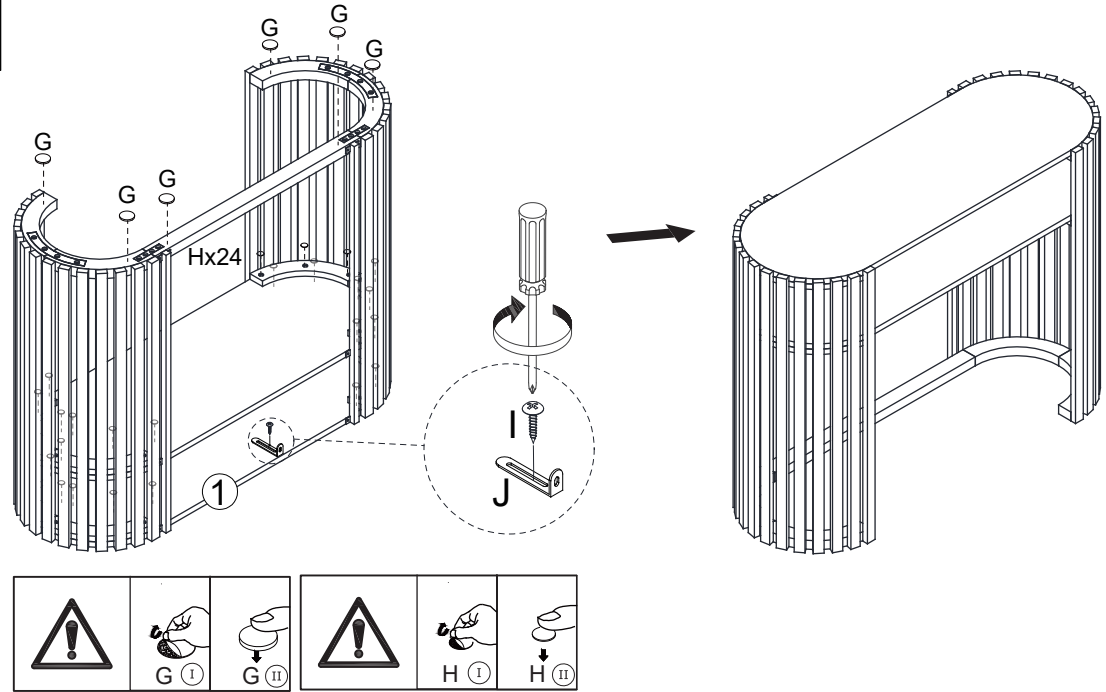
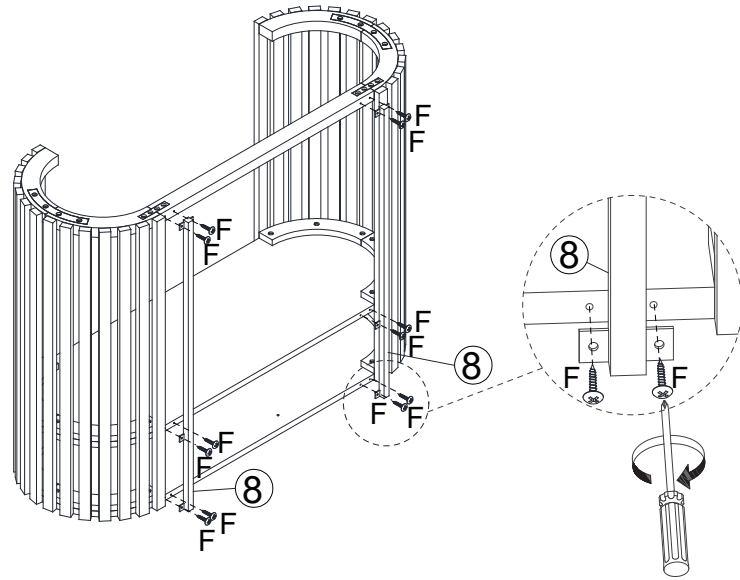


Step 2:



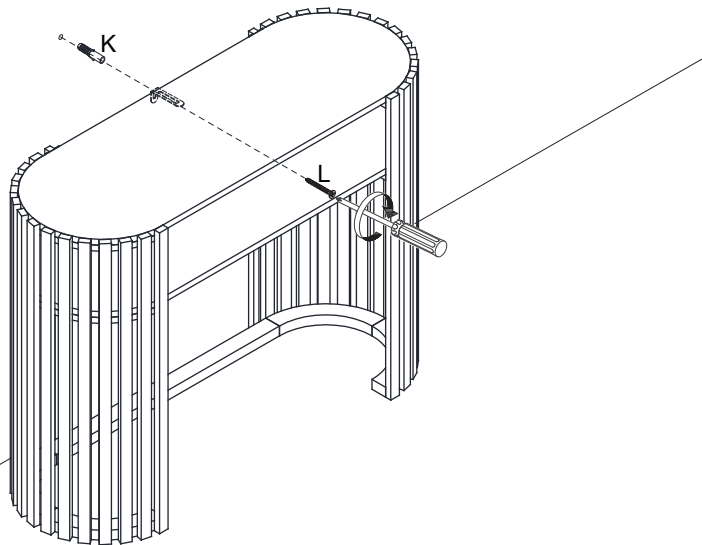
Step 3:

 F x 12
4x16mm
  G x 6
  H x 24
  I x 1
4x14mm
  J x 1



Step 4:

 K x 1
  L x 1
4x35mm



WARNING:

- It is strongly recommended that this product is permanently fixed to the wall.
- Please seek professional advice if you are in doubt of what fixing device to use.
- Regularly check that anchors are securely maintained.
- Use safety drawer locks to prevent children climbing.
- Stability of tall items may be affected by thick pile carpet or uneven floors .
- Do not place unanchored televisions on furniture.

CAUTION: for your safety when attaching the anchor fixings, please note the following:

- Check any electrical wires or plumbing inside the wall before drilling any holes (if you are unsure please seek professional advice from a qualified tradesperson).

⚠ WARNING




Children have died from furniture tipover.

- ALWAYS secure it with an anchor device.
- NEVER allow children to stand, climb or hang on drawers, doors, or shelves.
- NEVER open more than one drawer at a time.
- Place heavy items down low.
- Furniture type is at risk of toppling over.

NEVER put a TV on this furniture 

This is a permanent label. Do not remove!



WARNING: PLEASE SECURE YOUR FURNITURE WITH THE SUPPLIED WALL FIXING. SCAN THE CODE FOR MORE INFORMATION.

