

# Assembly Instructions

## 43498109 STUDENT DESK

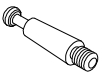

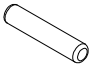





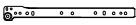



**WARNING:** DO NOT STAND, SIT OR LEAN ON THIS UNIT. DO NOT USE THIS UNIT AS A STEP LADDER OR AS A CHOPPING SURFACE. KEEP AWAY FROM CHILDREN AND BABIES. ADULT ASSEMBLY REQUIRED. USE ONLY ON A FLAT SURFACE. DO NOT USE THIS UNIT UNLESS ALL BOLTS AND SCREWS ARE FIRMLY SECURED.

**CARE INSTRUCTIONS:** TO BE ASSEMBLED ON A CLEAN, DRY AND SMOOTH SURFACE. WIPE CLEAN WITH A SOFT DAMP CLOTH. NEVER USE SCOURERS, ABRASIVES OR CHEMICAL SOLVENTS. CHECK AND TIGHTEN ALL PARTS REGULARLY. KEEP AWAY FROM MOISTURE AND DIRECT SUNLIGHT. STORE IN A DRY PLACE. FOR INDOOR AND DOMESTIC USE ONLY.

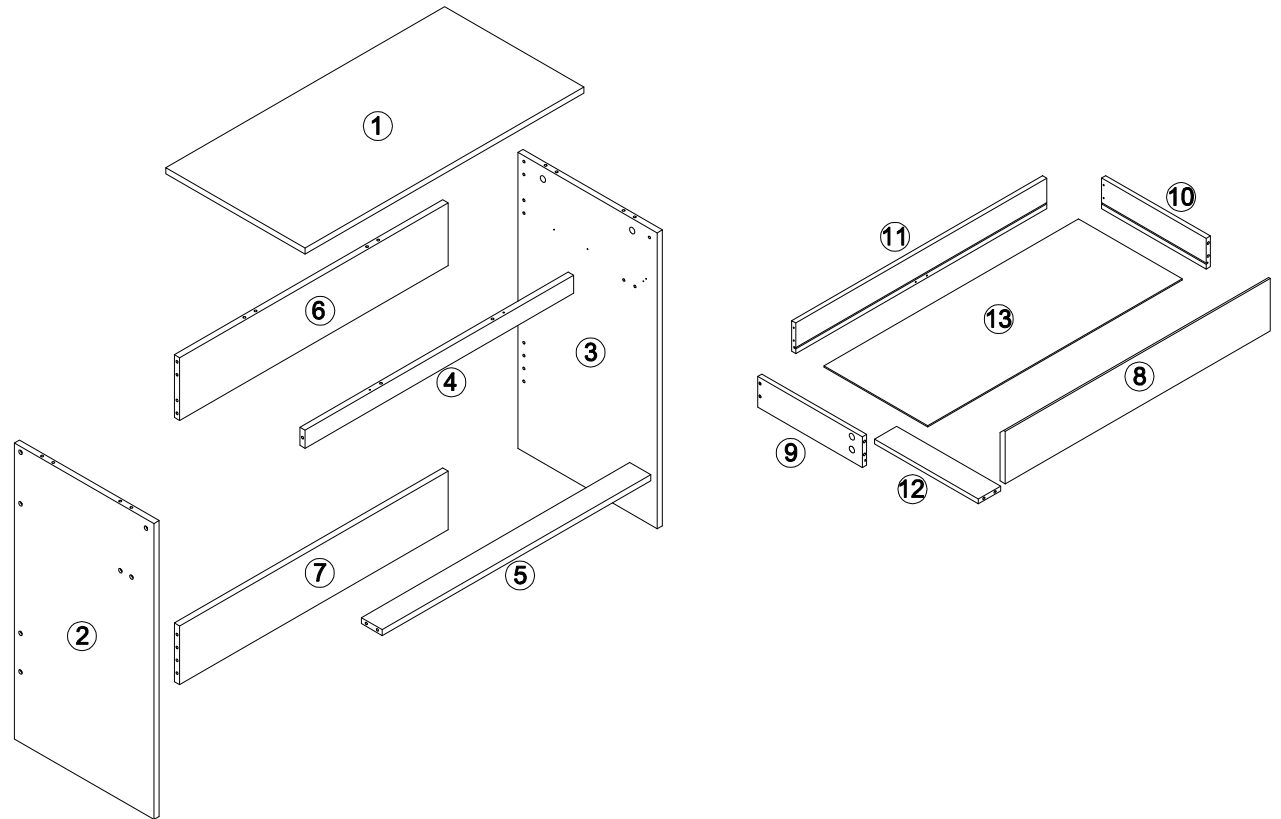
**MAXIMUM SAFE LOAD: 50KG FOR TOP PANEL, 7KG FOR DRAWER.**

①

### Hardware List

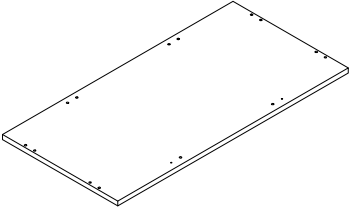
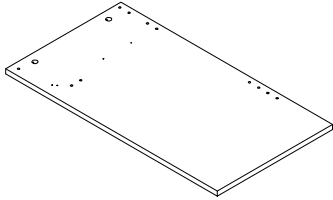
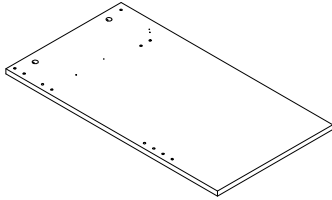
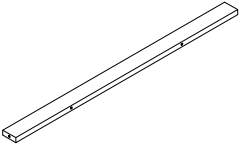
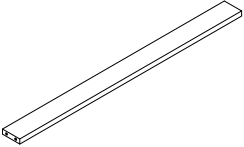
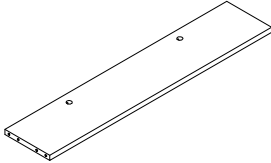
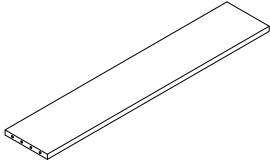
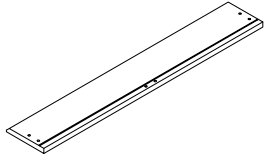
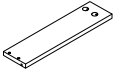
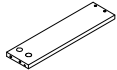
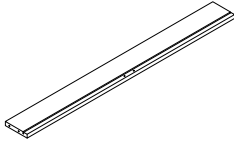
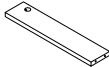
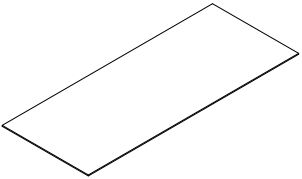
	<b>A</b>	M6x35mm	11pcs
	<b>B</b>	Ø15x9mm	11pcs
	<b>C</b>	Ø6x30mm	17pcs
	<b>D</b>	M4x35mm	8pcs
	<b>E</b>	M7x50mm	14pcs
	<b>F</b>	M3.5x12mm	14pcs
	<b>G</b>		1pc
	<b>H</b>		14pcs
	<b>CL</b>		1pc
	<b>CR</b>		1pc
	<b>DL</b>		1pc
	<b>DR</b>		1pc

②



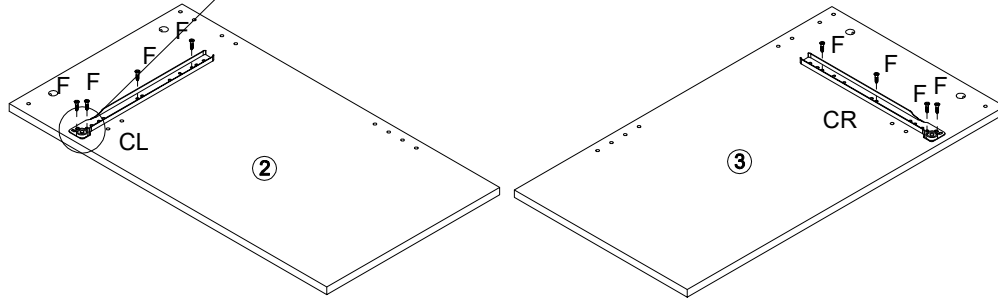
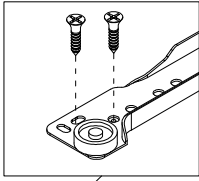
Do not tighten the screws fully during assembly.  
Fully tighten screws after the final assembly steps

3

			
① 1PC	② 1PC	③ 1PC	④ 1PC
			
⑤ 1PC	⑥ 1PC	⑦ 1PC	⑧ 1PC
			
⑨ 1PC	⑩ 1PC	⑪ 1PC	⑫ 1PC
			
⑬ 1PC			

### STEP 1:

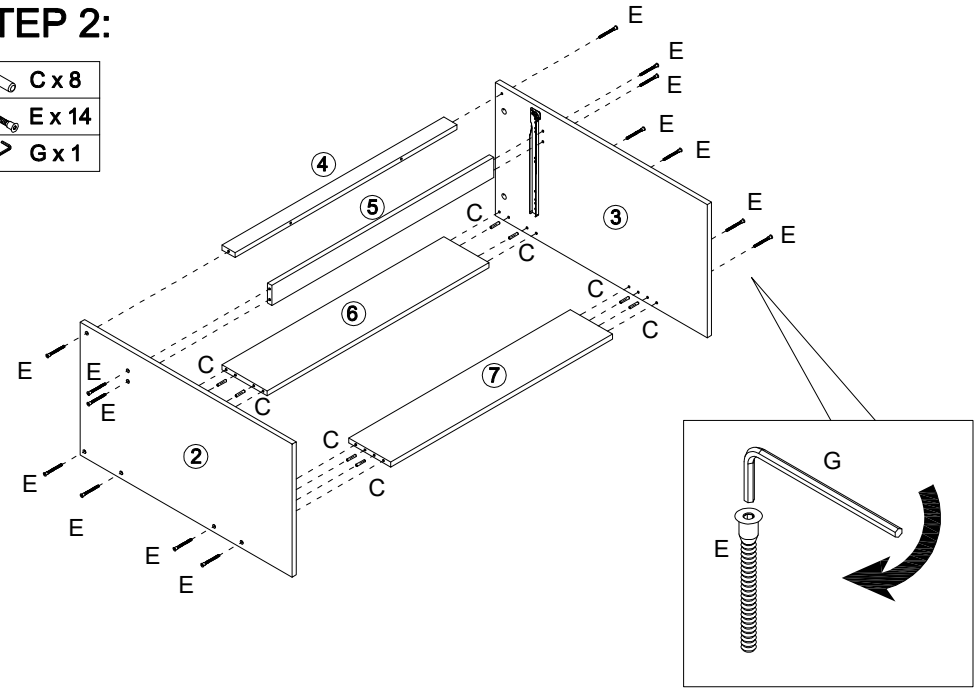
- F x 8
- CL x 1
- CR x 1



Tool required  
Phillips Head Screw Driver  
(Not Provided)

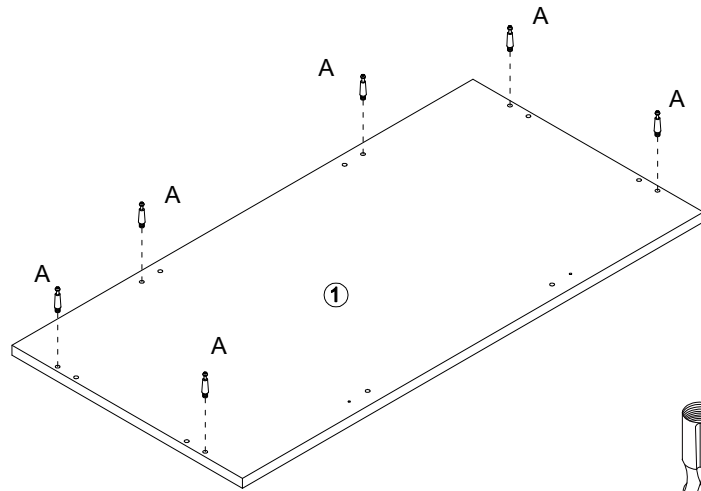
### STEP 2:

- C x 8
- E x 14
- G x 1



### STEP 3:

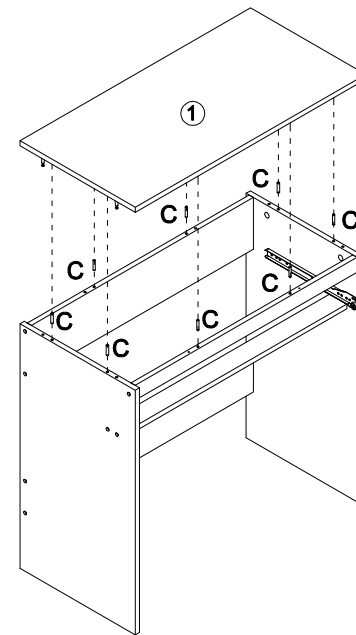
- A x 6



Tool required  
Phillips Head Screw Driver  
(Not Provided)

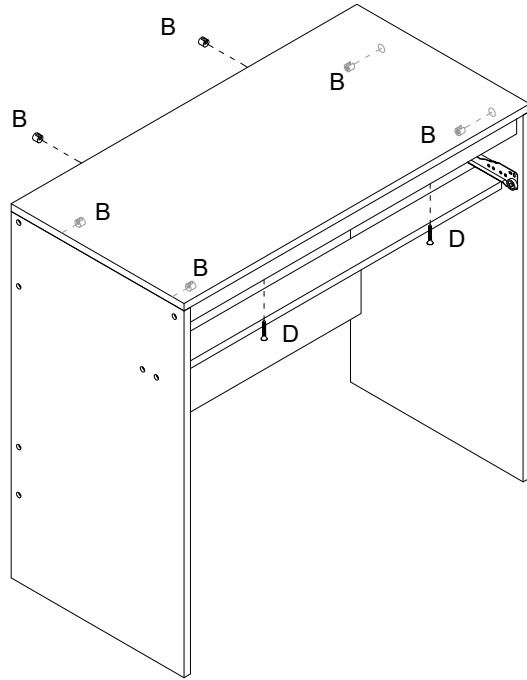
### STEP 4:

- C x 8



### STEP 5:

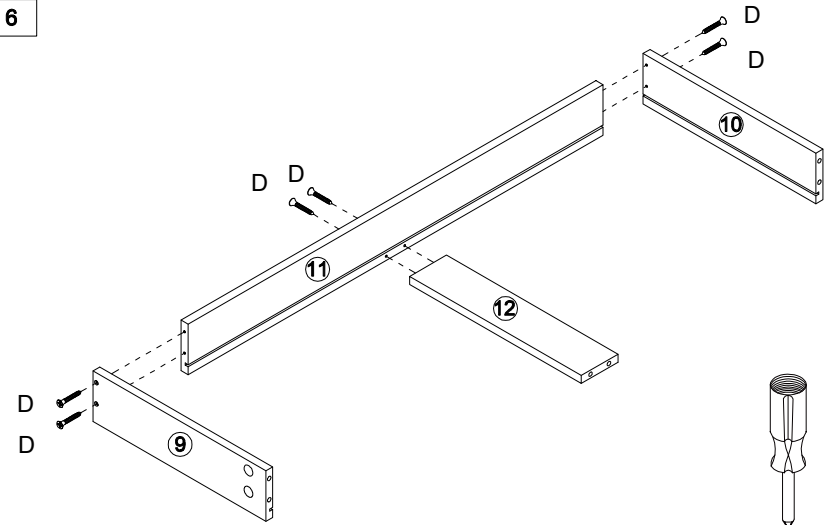
-  B x 6
-  D x 2



Tool required  
Philips Head Screw Driver  
(Not Provided)

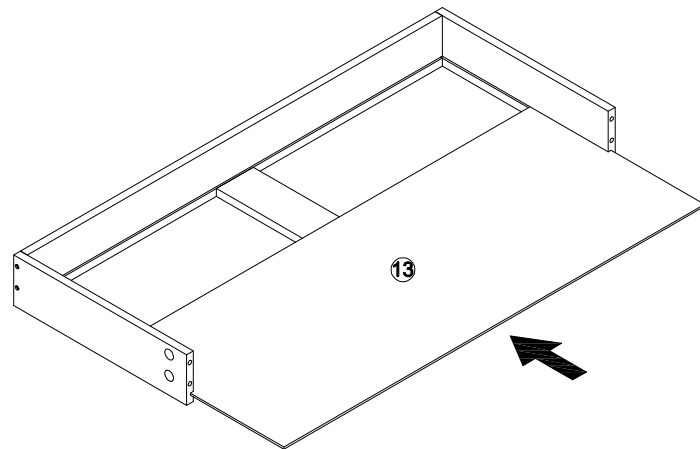
### STEP 6:

-  D x 6



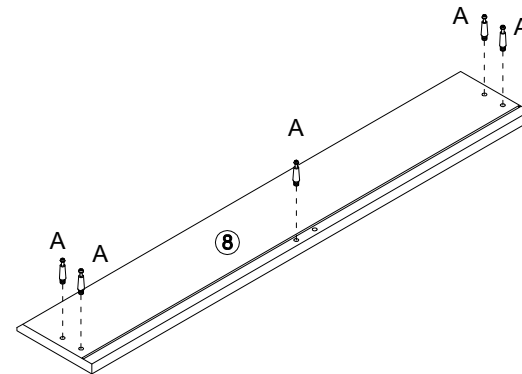
Tool required  
Philips Head Screw Driver  
(Not Provided)

### STEP 7:





### STEP 8:

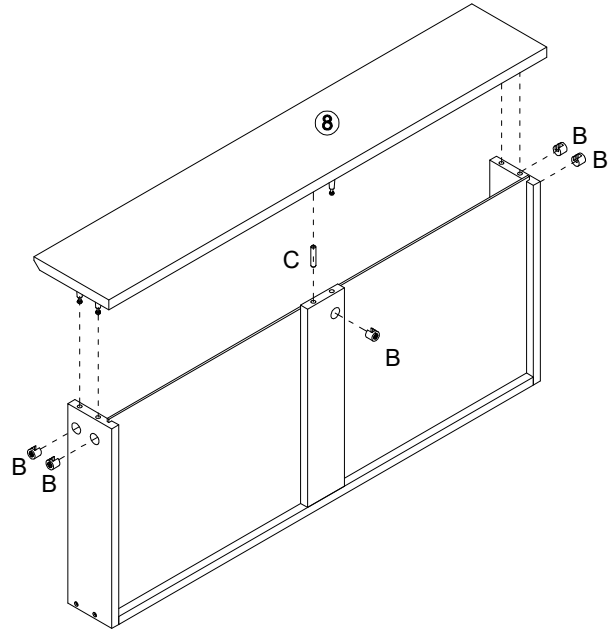
-  A x 5




Tool required  
Philips Head Screw Driver  
(Not Provided)

### STEP 9:

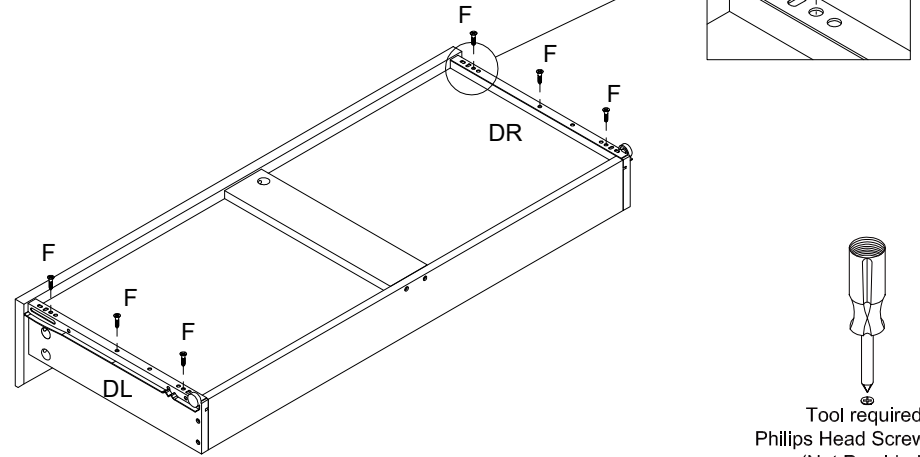
-  B x 5
-  C x 1




  
Tool required  
Phillips Head Screw Driver  
(Not Provided)

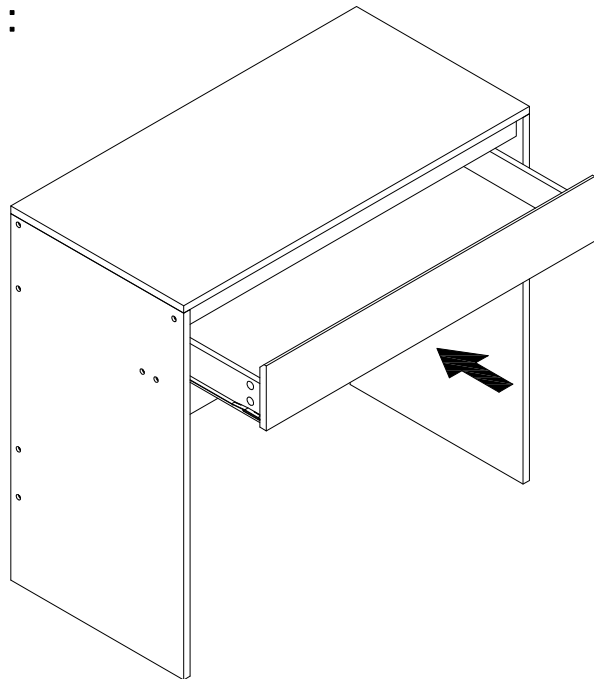
### STEP 10:

-  F x 6
-  DL x 1
-  DR x 1



  
Tool required  
Phillips Head Screw Driver  
(Not Provided)

### STEP 11:



### STEP 12:

-  H x 14

