

# Assembly Instructions

## 43498178 ADDISON DRAWER BEDSIDE TABLE







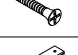











**WARNING:** DO NOT STAND, SIT OR LEAN ON THIS UNIT. DO NOT USE THIS UNIT AS A STEP LADDER OR AS A CHOPPING SURFACE. KEEP AWAY FROM CHILDREN AND BABIES. ADULT ASSEMBLY REQUIRED. USE ONLY ON A FLAT SURFACE. DO NOT USE THIS UNIT UNLESS ALL BOLTS AND SCREWS ARE FIRMLY SECURED.

**CARE INSTRUCTIONS:** TO BE ASSEMBLED ON A CLEAN, DRY AND SMOOTH SURFACE. WIPE CLEAN WITH A SOFT DAMP CLOTH. NEVER USE SCOURERS, ABRASIVES OR CHEMICAL SOLVENTS. CHECK AND TIGHTEN ALL PARTS REGULARLY. KEEP AWAY FROM MOISTURE AND DIRECT SUNLIGHT. STORE IN A DRY PLACE. FOR INDOOR AND DOMESTIC USE ONLY.

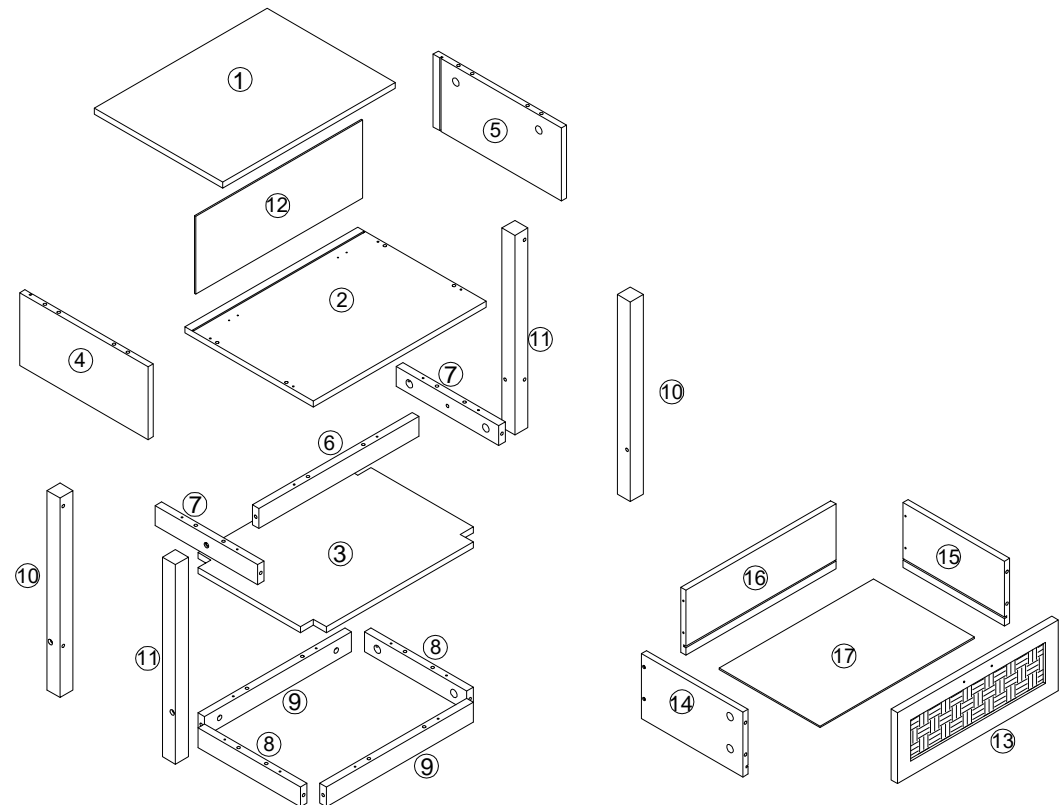
**MAXIMUM SAFE LOAD: 10KG FOR TOP PANEL, 5KG FOR DRAWER, 5KG FOR SHELF.**

①

### Hardware List

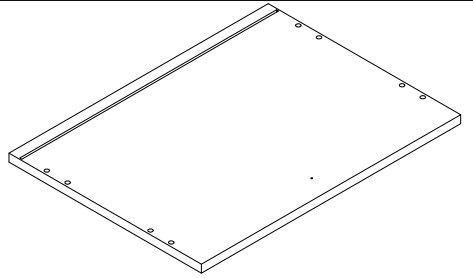
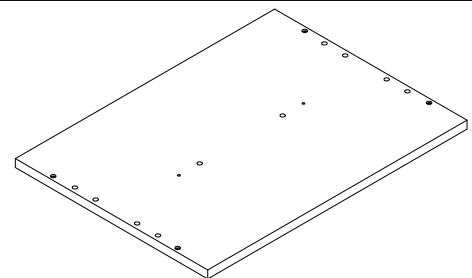
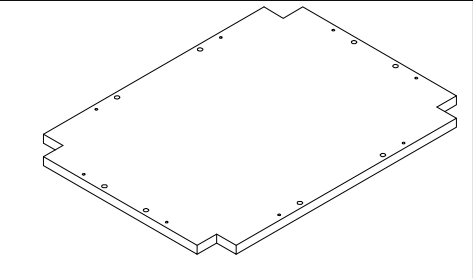
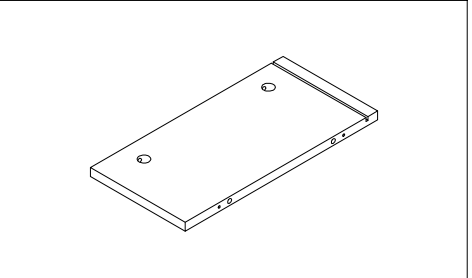
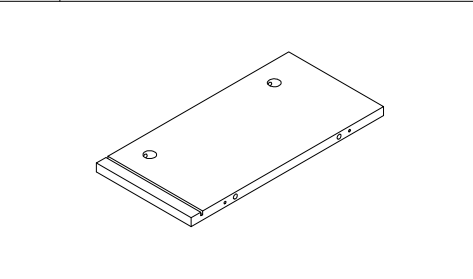
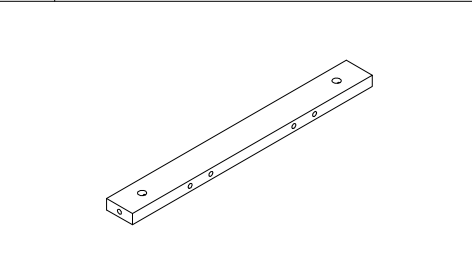
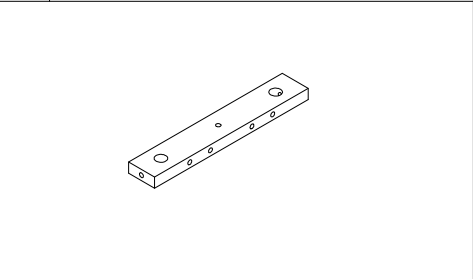
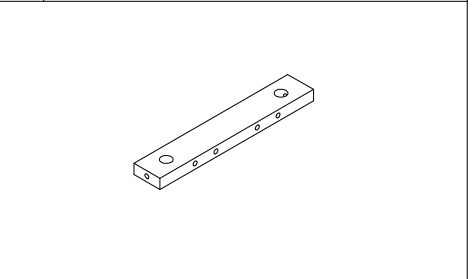
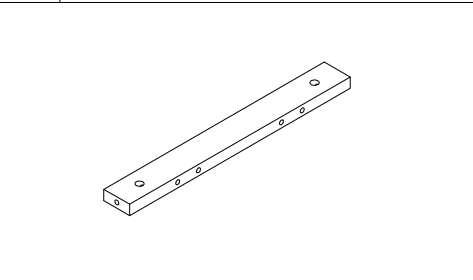
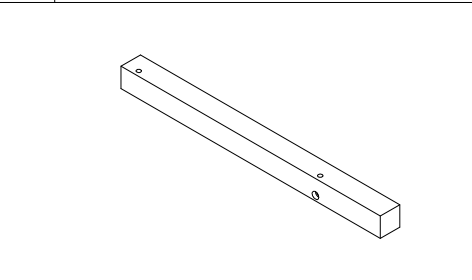
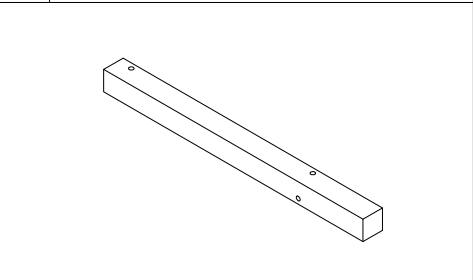
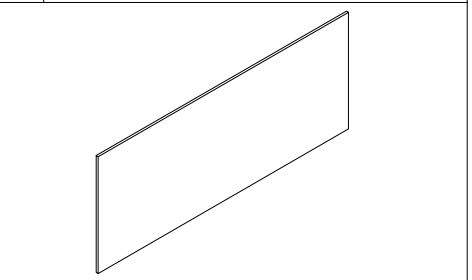
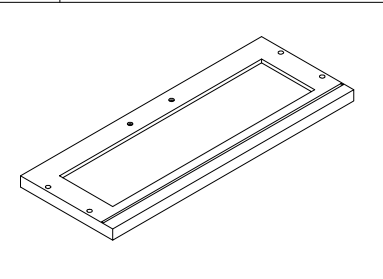
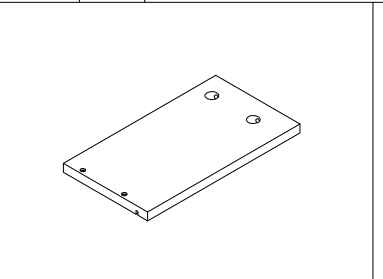
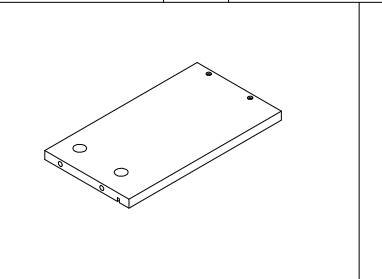
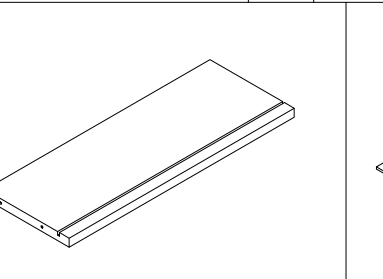
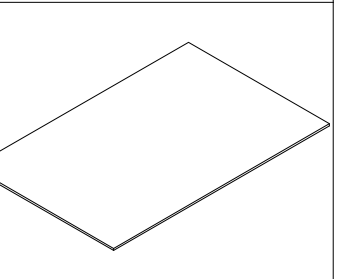
	<b>A</b>	M6x35mm	16pcs		<b>P</b>		1pc
	<b>B</b>	Ø15x9mm	16pcs		<b>Q</b>		1pc
	<b>C</b>	Ø6x30mm	22pcs		<b>R</b>		6pcs
	<b>D</b>	M4x35mm	22pcs				
	<b>E</b>		1pc				
	<b>F</b>	M4x18mm	2pcs				
	<b>G</b>	M6x60mm	6pcs				
	<b>H</b>	M10x10mm	6pcs				
	<b>I</b>		1pc				
	<b>J</b>		4pcs				
	<b>K</b>	M3x16mm	4pcs				
	<b>L</b>	M3x12mm	5pcs				
	<b>M</b>		1pc				
	<b>N</b>		2pcs				
	<b>O</b>		4pcs				

②



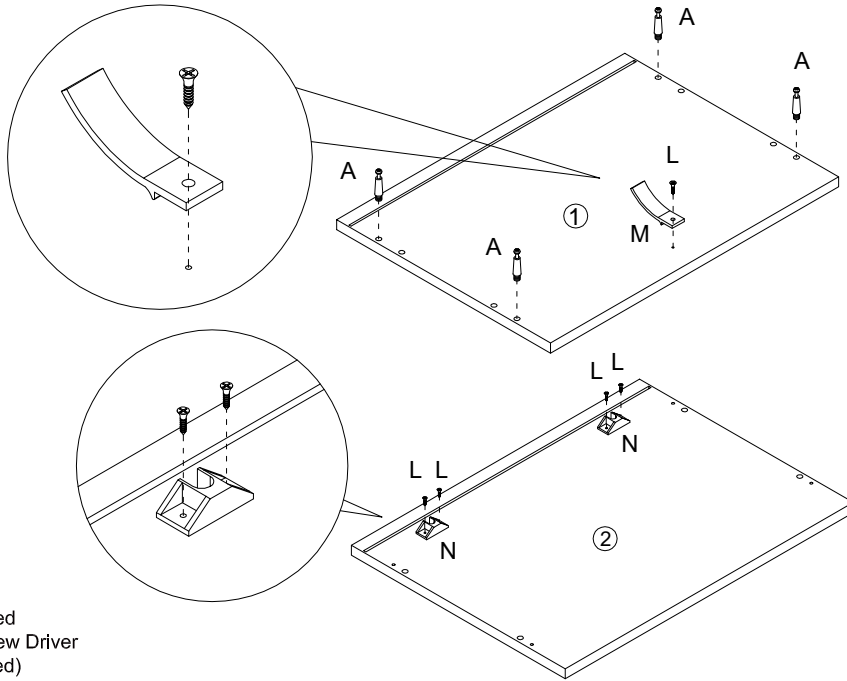
Do not tighten the screws fully during assembly.  
Fully tighten screws after the final assembly steps

3

				
① 1PC	② 1PC	③ 1PC	④ 1PC	
				
⑤ 1PC	⑥ 1PC	⑦ 2PCS	⑧ 2PCS	
				
⑨ 2PCS	⑩ 2PCS	⑪ 2PCS	⑫ 1PC	
				
⑬ 1PC	⑭ 1PC	⑮ 1PC	⑯ 1PC	⑰ 1PC

### STEP 1:

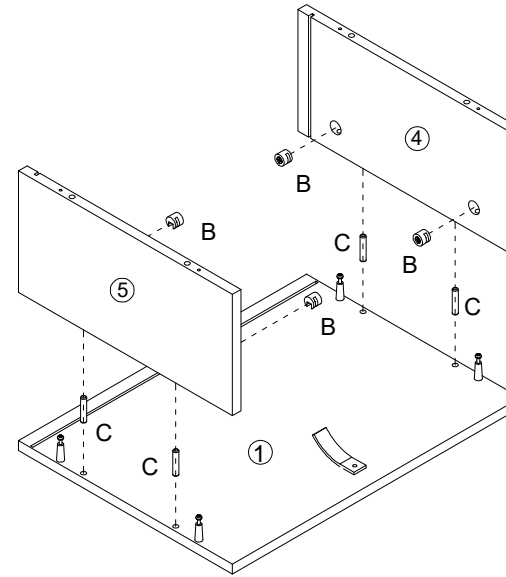
- A x 4
- L x 5
- M x 1
- N x 2



Tool required  
Philips Head Screw Driver  
(Not Provided)

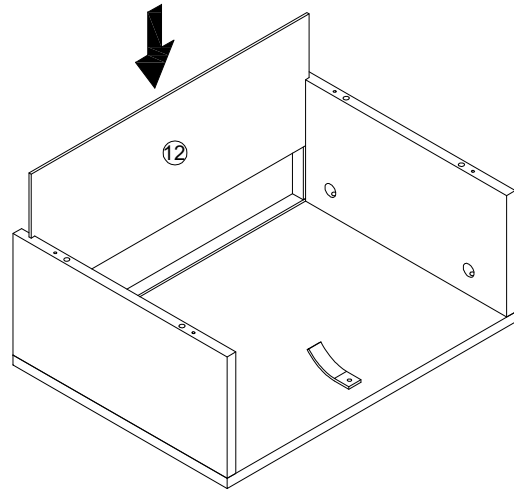
### STEP 2:

- B x 4
- C x 4



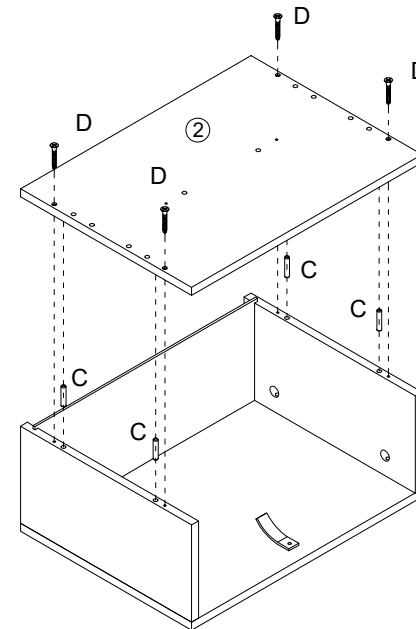
Tool required  
Philips Head Screw Driver  
(Not Provided)

### STEP 3:



### STEP 4:

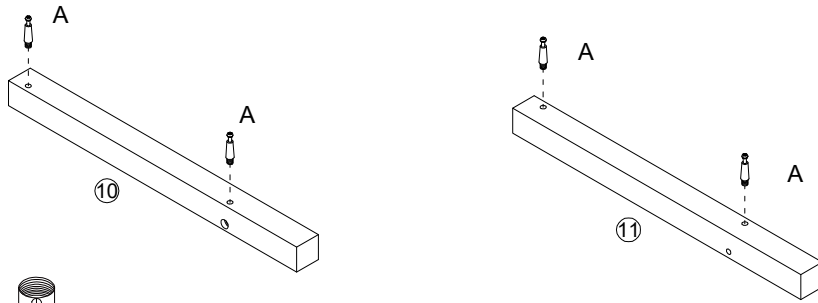
- C x 4
- D x 4



Tool required  
Philips Head Screw Driver  
(Not Provided)

### STEP 5:

 A x 8

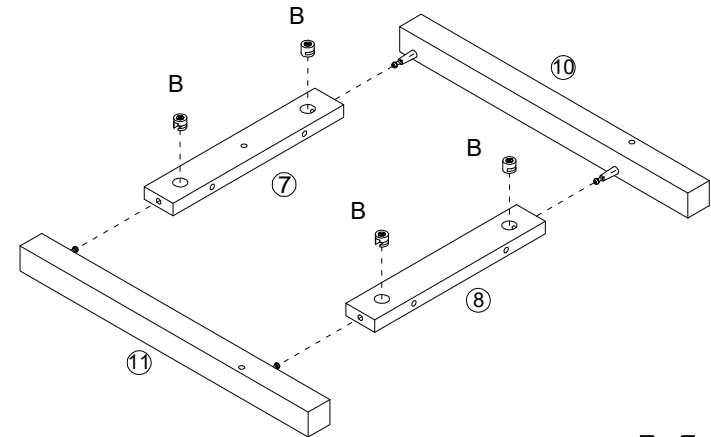


Tool required  
Phillips Head Screw Driver  
(Not Provided)

x 2

### STEP 6:



 B x 8

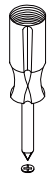
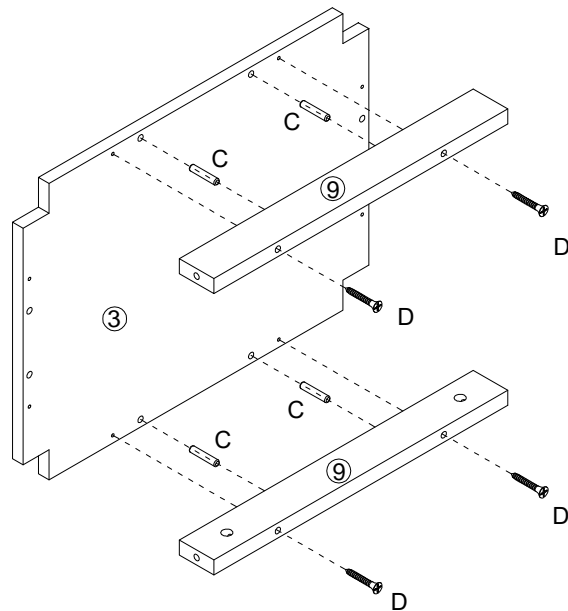


Tool required  
Phillips Head Screw Driver  
(Not Provided)

x 2



### STEP 7:

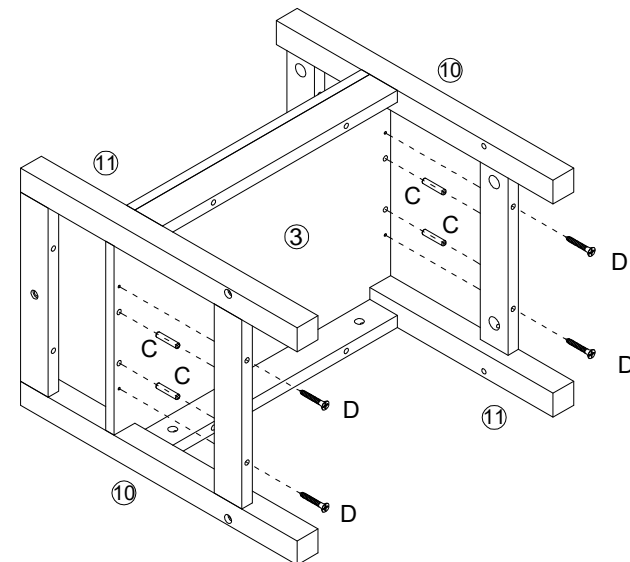
 C x 4  
 D x 4



Tool required  
Phillips Head Screw Driver  
(Not Provided)




### STEP 8:

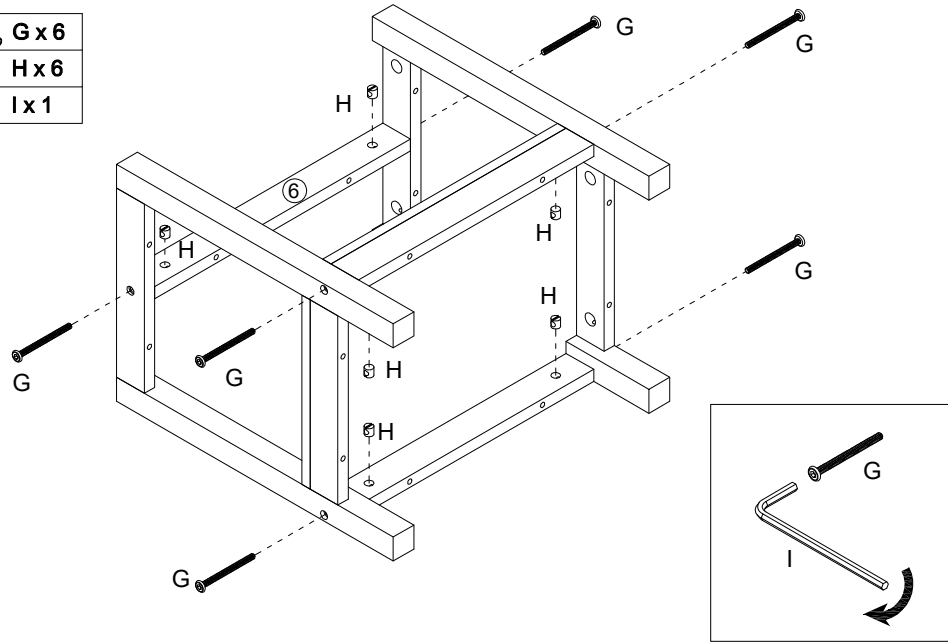
 C x 4  
 D x 4





Tool required  
Phillips Head Screw Driver  
(Not Provided)

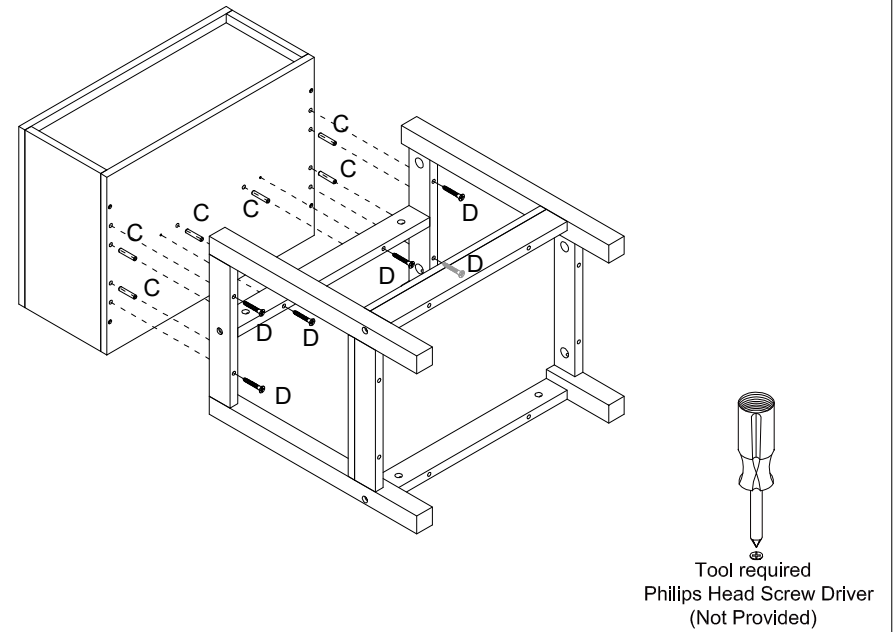
### STEP 9:

-  G x 6
-  H x 6
-  I x 1







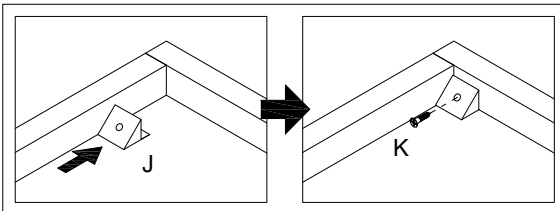
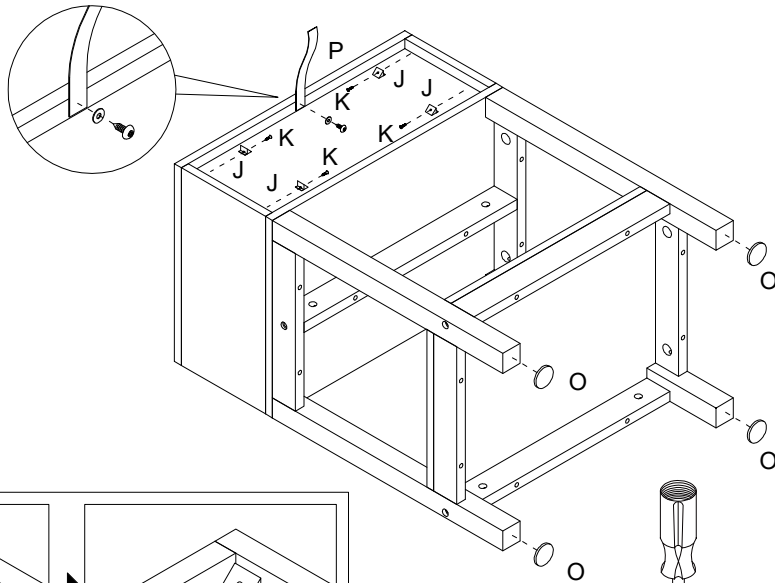
### STEP 10:

-  C x 6
-  D x 6



### STEP 11:

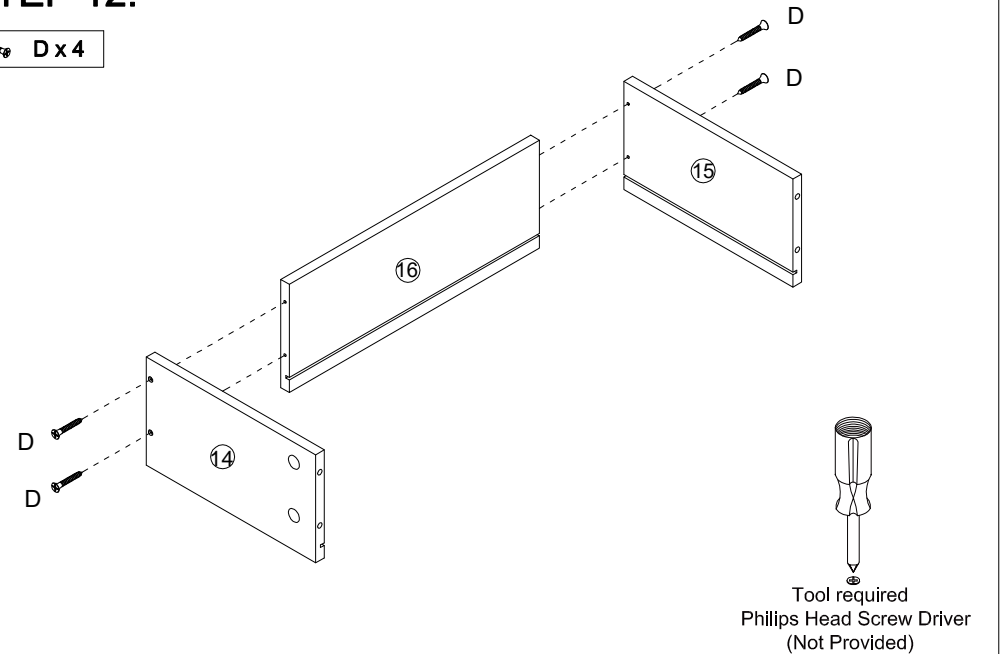
-  J x 4
-  K x 4
-  O x 4
-  P x 1



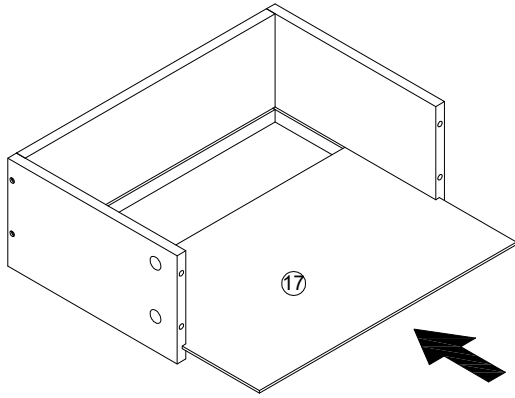
Tool required  
Phillips Head Screw Driver  
(Not Provided)

### STEP 12:



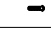
-  D x 4

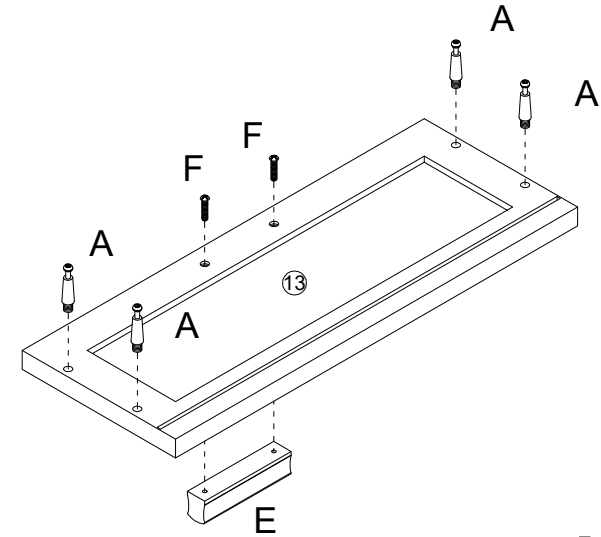



### STEP 13:



### STEP 14:

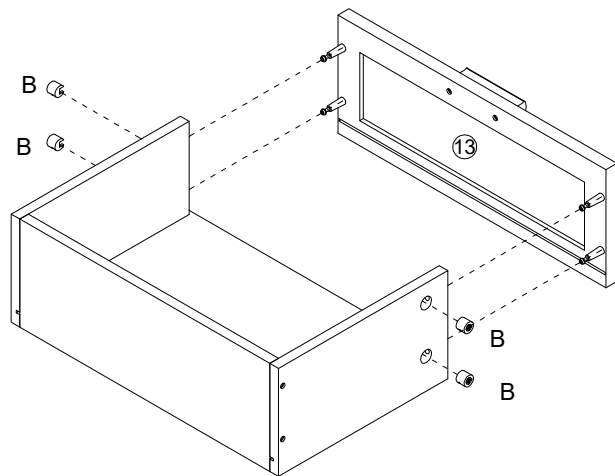
-  Ax4
-  Ex1
-  Fx2




  
Tool required  
Philips Head Screw Driver  
(Not Provided)

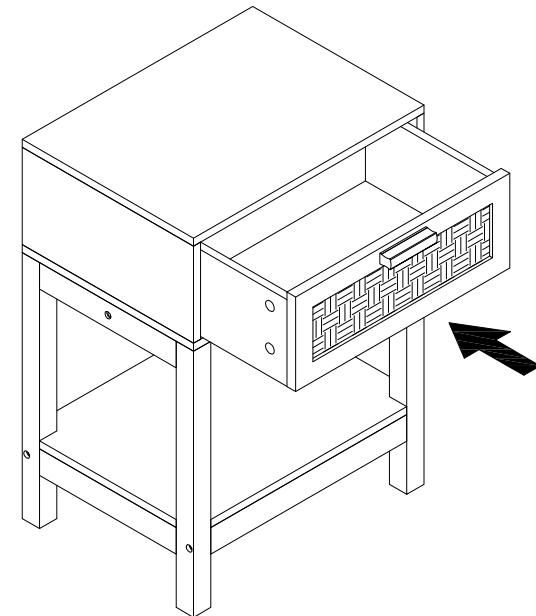
### STEP 15:

-  Bx4



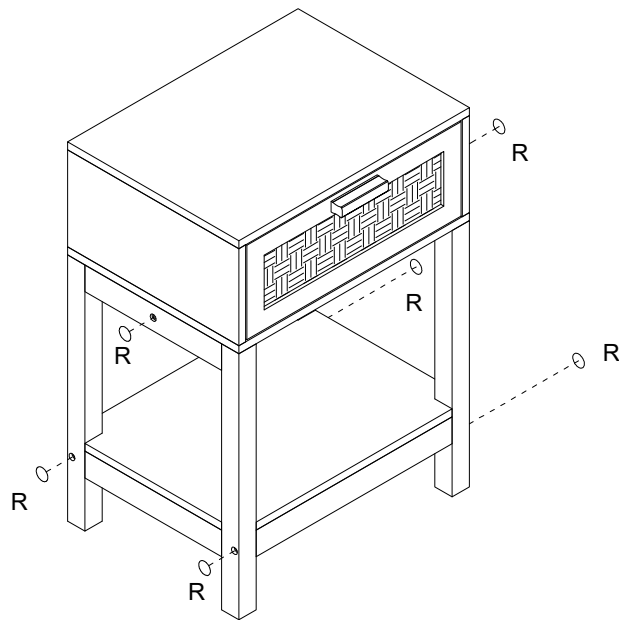
  
Tool required  
Philips Head Screw Driver  
(Not Provided)

### STEP 16:



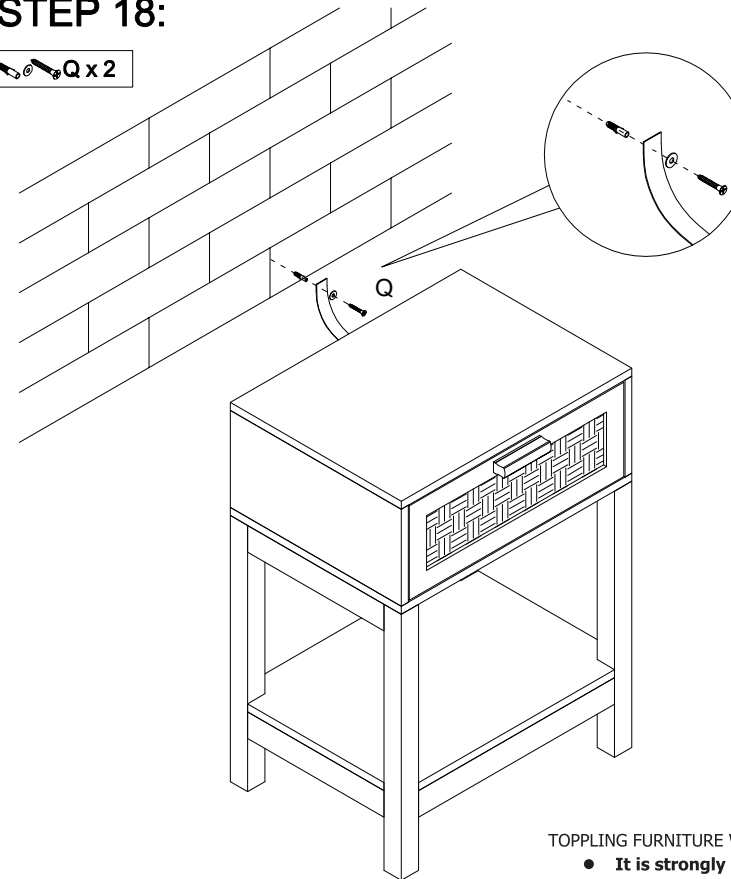
## STEP 17:

○ R x 6



## STEP 18:

🔪 Q x 2



Tool required  
Phillips Head Screw Driver  
(Not Provided)


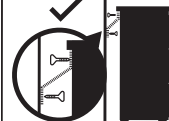
### TOPPLING FURNITURE WARNING:

- It is **strongly recommended** that this product is permanently fixed to the wall.
- Please seek professional advice if you are in doubt of what fixing device to use.
- Regularly check that anchors are securely maintained.
- Use safety drawer locks to prevent children climbing.
- Stability of tall items may be affected by thick pile carpet or uneven floors .
- Do not place unanchored televisions on furniture .

**CAUTION:** for your safety when attaching the anchor fixings, please note the following:


- Check any electrical wires or plumbing inside the wall before drilling any holes (if you are unsure please seek professional advice from a qualified tradesperson).

**⚠ WARNING**

Children have died from furniture tipover.

- ALWAYS secure it with an anchor device.
- NEVER allow children to stand, climb or hang on drawers, doors, or shelves.
- NEVER open more than one drawer at a time.
- Place heavy items down low.
- Furniture type is at risk of toppling over.

NEVER put a TV on this furniture 

This is a permanent label. Do not remove!



WARNING: PLEASE SECURE YOUR FURNITURE WITH THE SUPPLIED WALL FIXING. SCAN THE CODE FOR MORE INFORMATION.

