

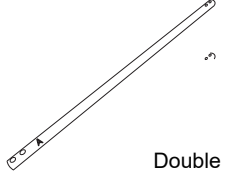
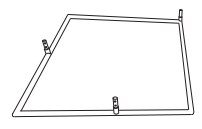

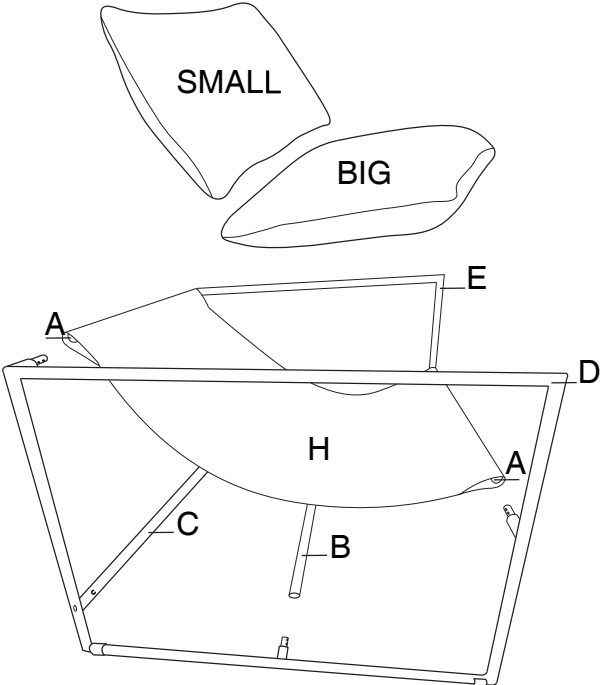
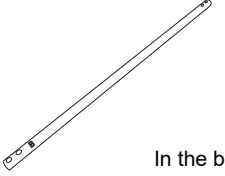
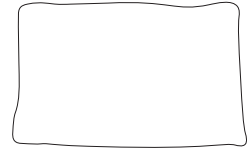


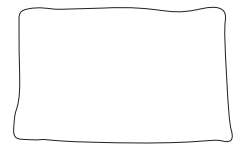

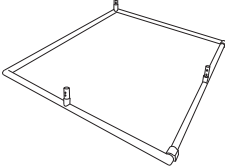
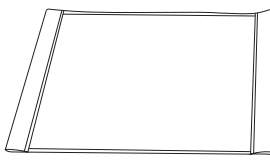
Assembly Instructions

43498208 MARLO LOUNGE CHAIR

CARE INSTRUCTIONS: FRAME: WIPE CLEAN WITH A SOFT CLOTH. DO NOT USE ABRASIVE MATERIAL AND SOLVENTS. STORE IN A DRY PLACE.
 CUSHION: FLUFF UP BY SHAKING BEFORE USE. DO NOT WASH. WIPE CLEAN. DO NOT BLEACH. DO NOT IRON. DO NOT DRYCLEAN. DRY THOROUGHLY BEFORE RE-USE OR STORAGE.

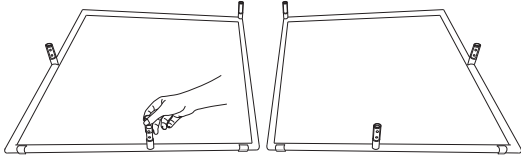
WARNING: DO NOT STAND ON THE CHAIR. USE ONLY ON A FLAT SURFACE. DO NOT USE UNTIL ALL SCREWS, BOLTS AND KNOBS ARE FIRMLY SECURED. ADULT ASSEMBLY REQUIRED. FAILURE TO FOLLOW THESE WARNINGS COULD RESULT IN SERIOUS INJURY.

MAXIMUM SAFE LOAD: 100KG.

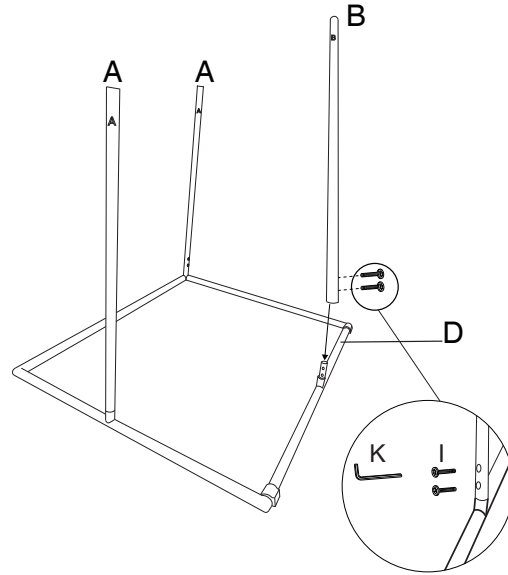
<p>A×2</p>  <p>Double iron pipe</p>	<p>E×1</p> 	<p>I×12</p>  <p>M6×12mm</p>	
<p>B×1</p>  <p>In the blue bag</p>	<p>F×1</p>  <p>BIG</p>	<p>J×2</p>  <p>M6×32mm</p>	
<p>C×1</p> 	<p>G×1</p>  <p>SMALL</p>	<p>K×1</p>  <p>M6</p>	
<p>D×1</p> 	<p>H×1</p> 		

Do not tighten the screws fully during assembly.
 Fully tighten screws after the final assembly steps

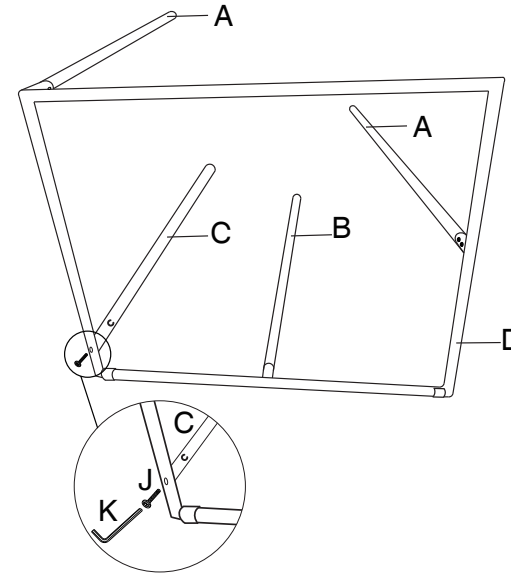
Step 1: Remove Part D&E plastic sleeve by hands.



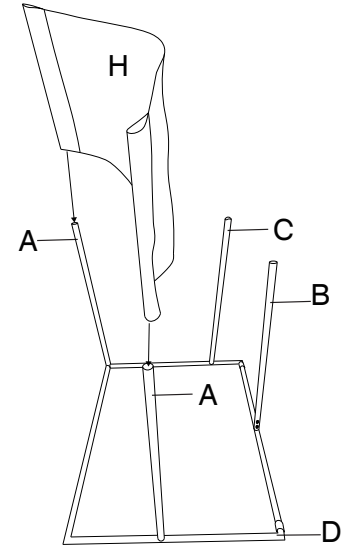
Step 2: Affix Part D with A, B, K&I.



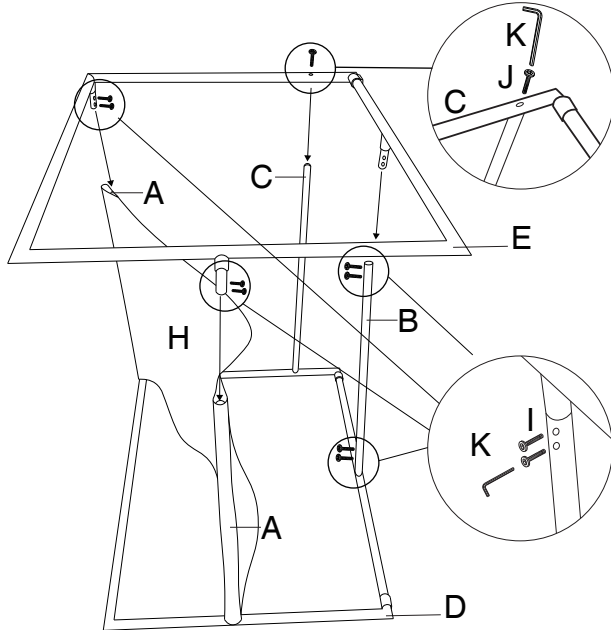
Step 3: Affix Part D as per diagram with C&J.



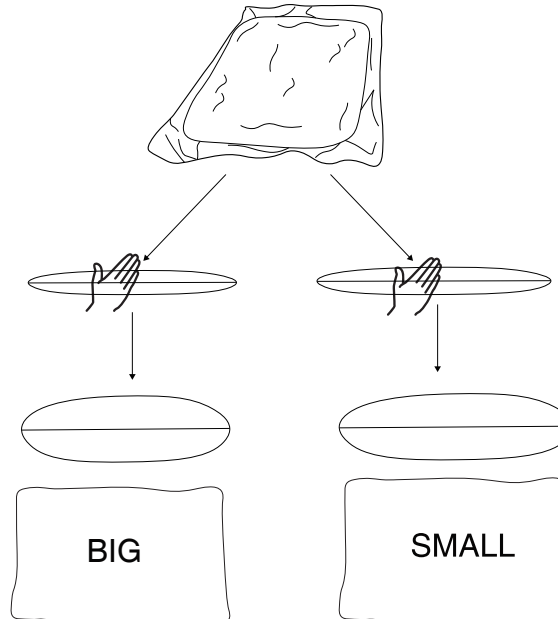
Step 4: Affix Part D as per diagram with H.



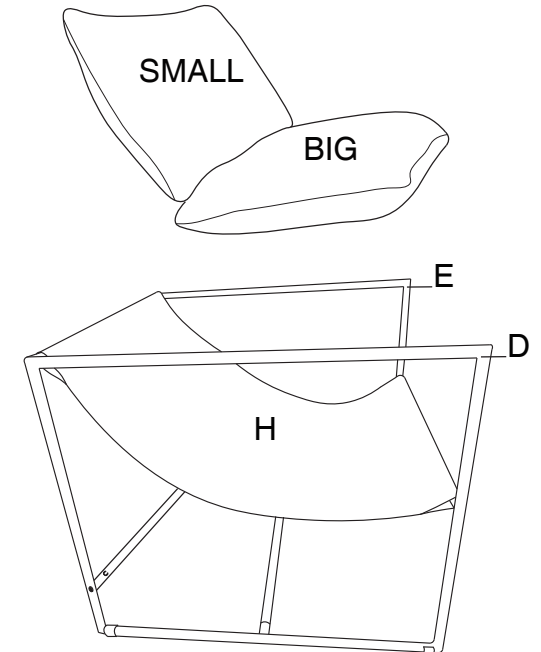
Step 5: Affix Part C as per diagram with E, I, J&K.



Step 6: Take the F&G out of the vacuum bag and pat soft with your hands.



Step 7: Affix Part C as per diagram with F&G.



Step 8: Tighten all screws then assembly is complete.

