

# Assembly Instructions

## 43498215 ADDISON BOOKSHELF
















**WARNING:** DO NOT STAND, SIT OR LEAN ON THIS UNIT. DO NOT USE THIS UNIT AS A STEP LADDER OR AS A CHOPPING SURFACE. KEEP AWAY FROM CHILDREN AND BABIES. ADULT ASSEMBLY REQUIRED. USE ONLY ON A FLAT SURFACE. DO NOT USE THIS UNIT UNLESS ALL BOLTS AND SCREWS ARE FIRMLY SECURED.

**CARE INSTRUCTIONS:** TO BE ASSEMBLED ON A CLEAN, DRY AND SMOOTH SURFACE. WIPE CLEAN WITH A SOFT DAMP CLOTH. NEVER USE SCOURERS, ABRASIVES OR CHEMICAL SOLVENTS. CHECK AND TIGHTEN ALL PARTS REGULARLY. KEEP AWAY FROM MOISTURE AND DIRECT SUNLIGHT. STORE IN A DRY PLACE. FOR INDOOR AND DOMESTIC USE ONLY.

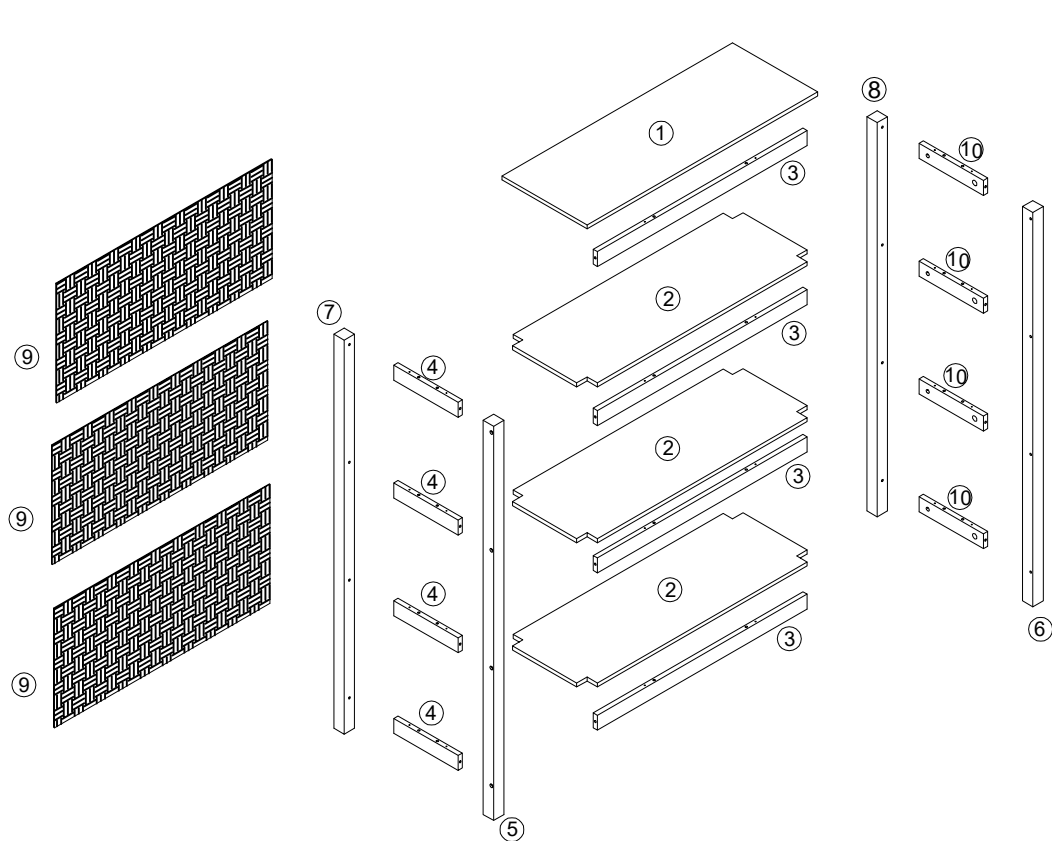
**MAXIMUM SAFE LOAD: 10KG FOR TOP PANEL, 5KG FOR EACH SHELF.**

①

### Hardware List

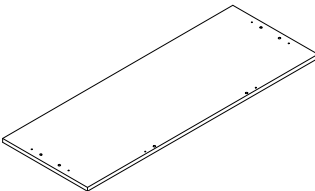
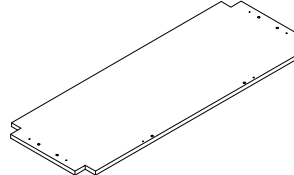
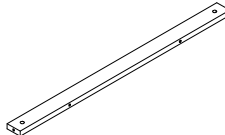
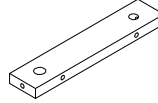
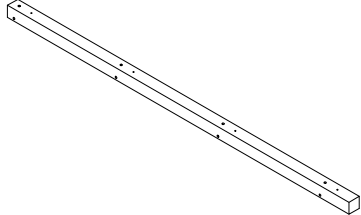
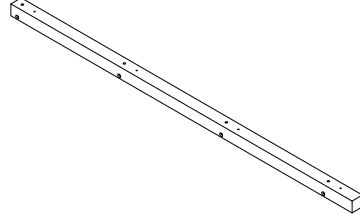
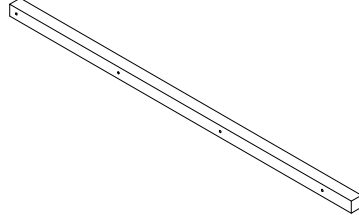
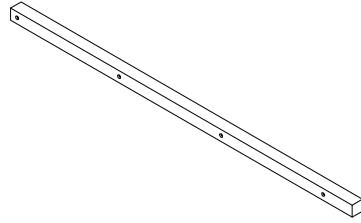
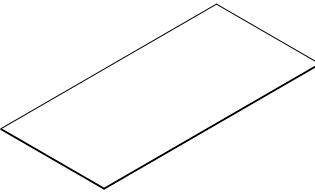
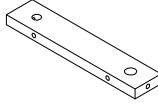
	A	M6x35mm	8pcs
	B	M15x9mm	8pcs
	C	M6x60mm	16pcs
	D	Ø10x10mm	16pcs
	E	Ø6x30mm	24pcs
	F	M4x40mm	24pcs
	G	M2x16mm	20pcs
	H		4pcs
	I		1pc
	J		4pcs
	K		2pcs
	L		2pcs
	M		8pcs
	N	M4x12mm	16pcs
	O		8pcs

②



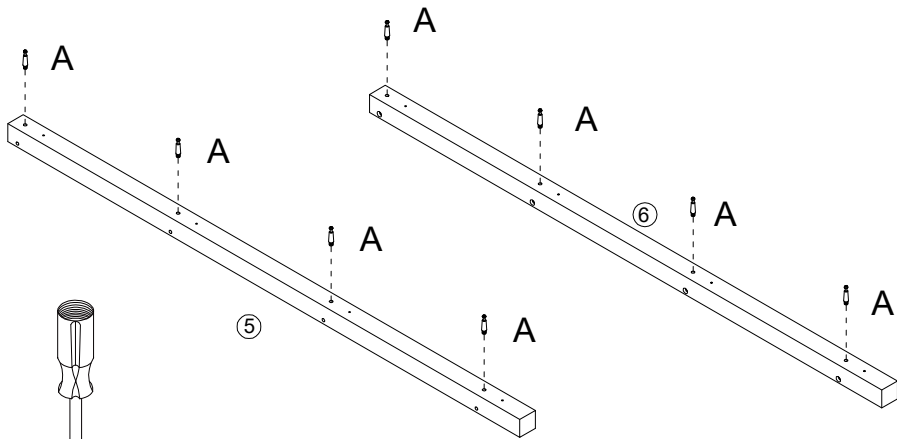
Do not tighten the screws fully during assembly.  
Fully tighten screws after the final assembly steps

3

			
① 1PC	② 3PCS	③ 4PCS	④ 4PCS
			
⑤ 1PC	⑥ 1PC	⑦ 1PC	⑧ 1PC
			
⑨ 3PCS	⑩ 4PCS		

### STEP 1:

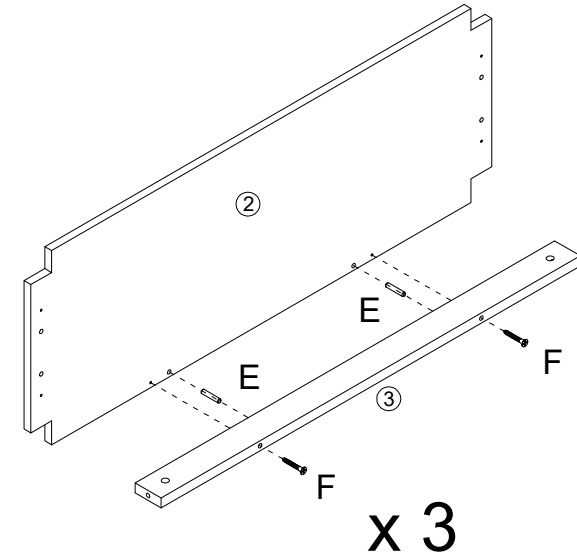
A x 8



Tool required  
Phillips Head Screw Driver  
(Not Provided)

### STEP 2:

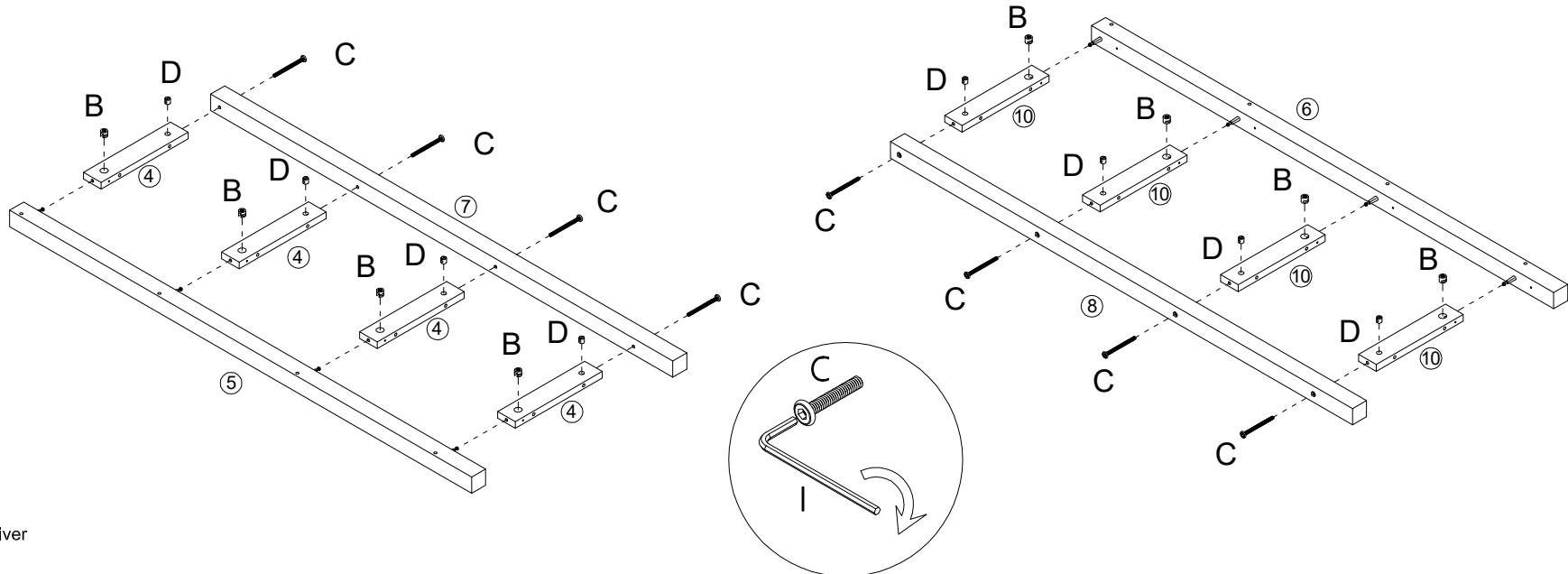
E x 6  
F x 6



Tool required  
Phillips Head Screw Driver  
(Not Provided)

### STEP 3:

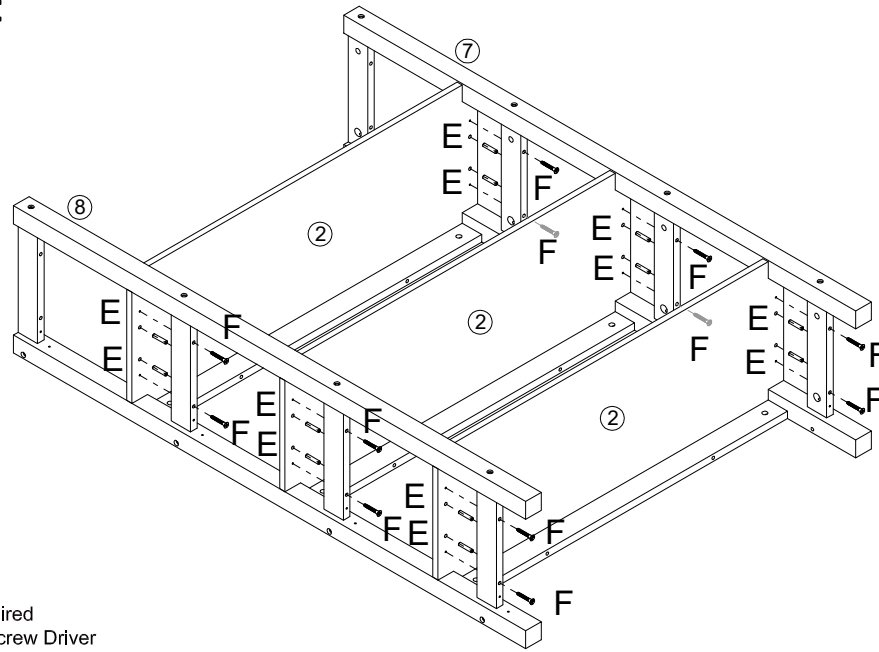
B x 8  
C x 8  
D x 8  
I x 1



Tool required  
Phillips Head Screw Driver  
(Not Provided)

### STEP 4:

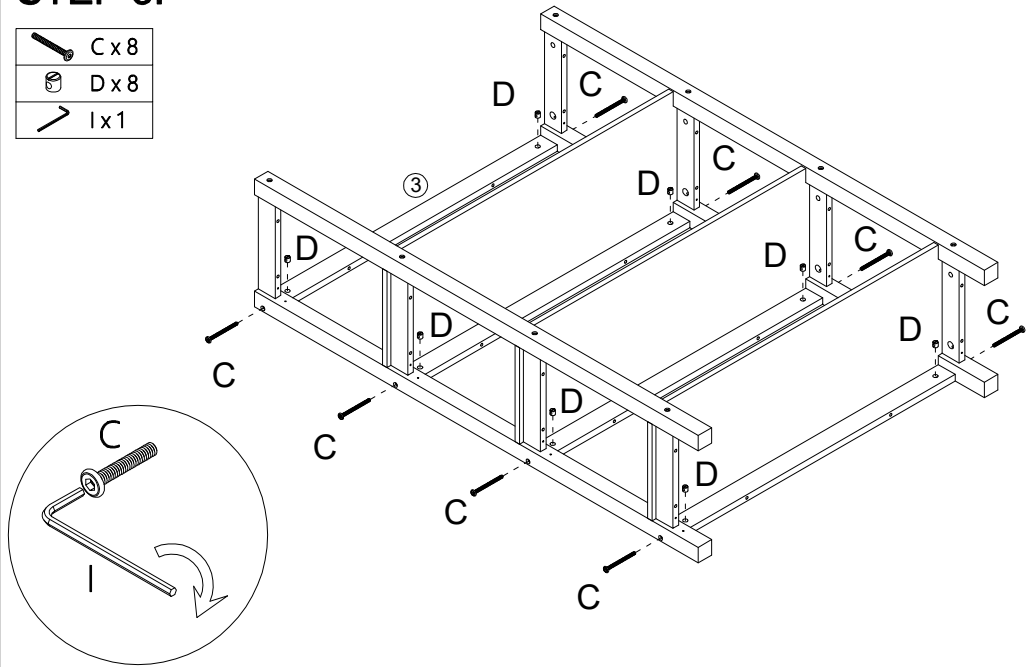
- E x 12
- F x 12



Tool required  
Phillips Head Screw Driver  
(Not Provided)

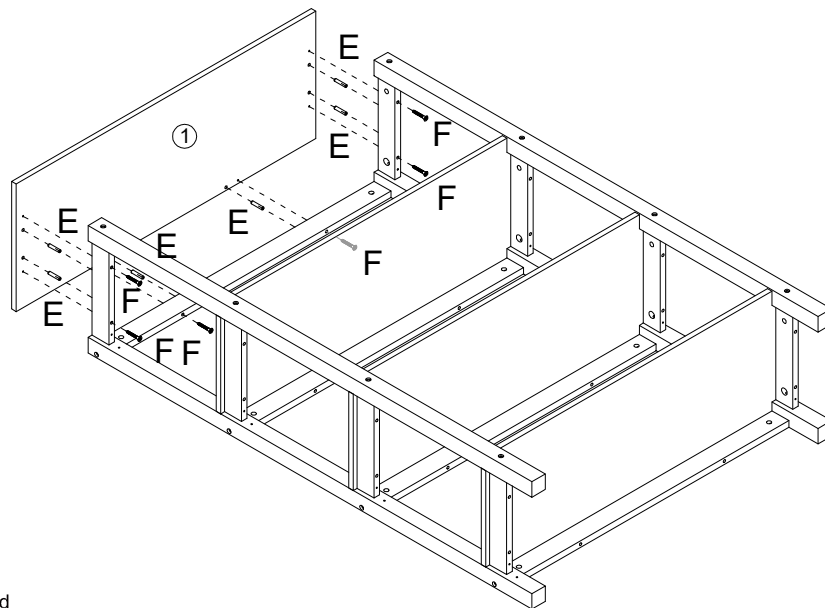
### STEP 5:

- C x 8
- D x 8
- I x 1



### STEP 6:

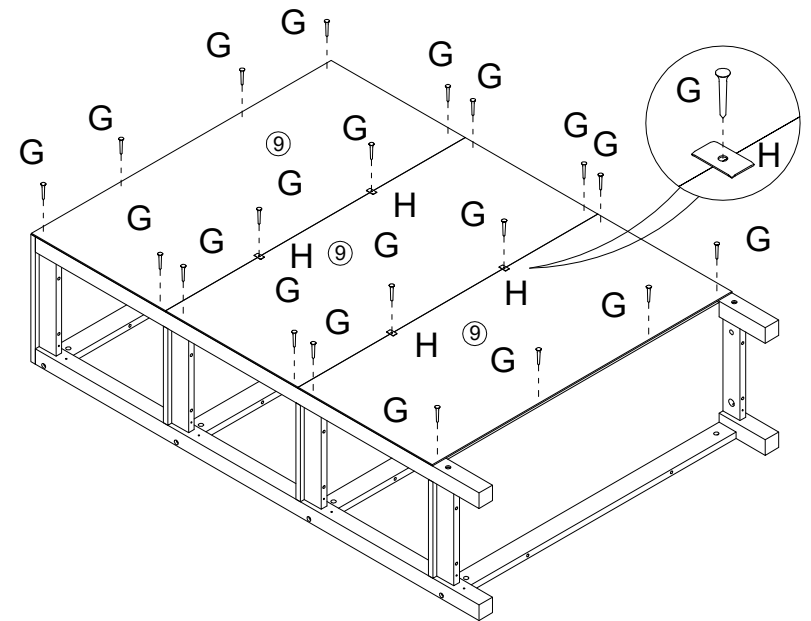
- E x 6
- F x 6



Tool required  
Phillips Head Screw Driver  
(Not Provided)

### STEP 7:

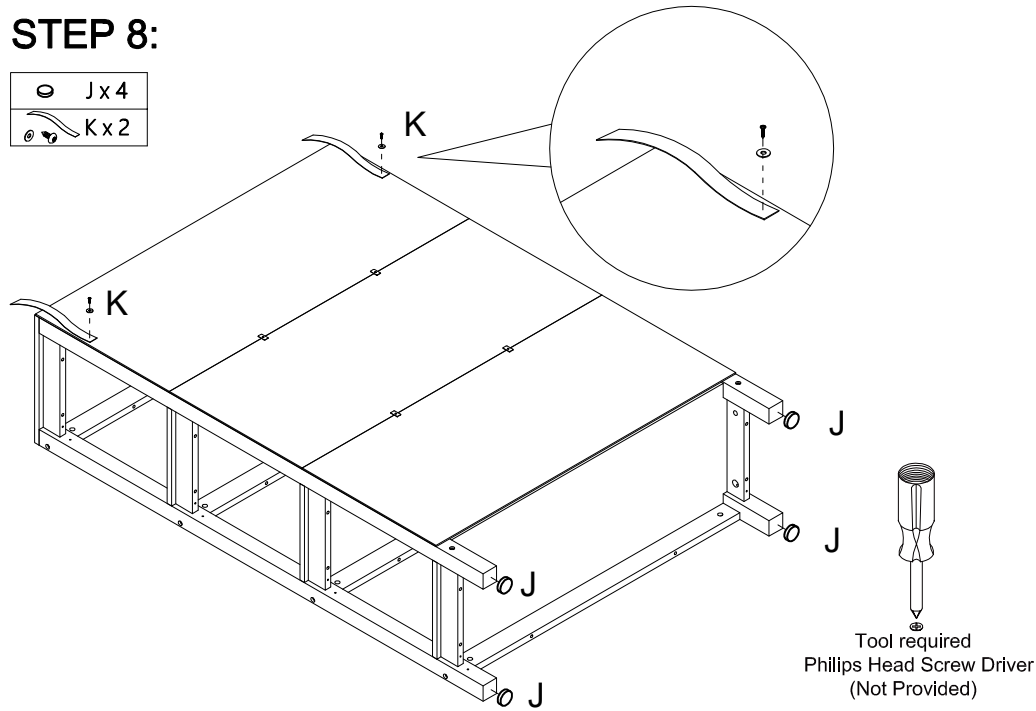
- G x 20
- H x 4






Tool required  
(Not Provided)

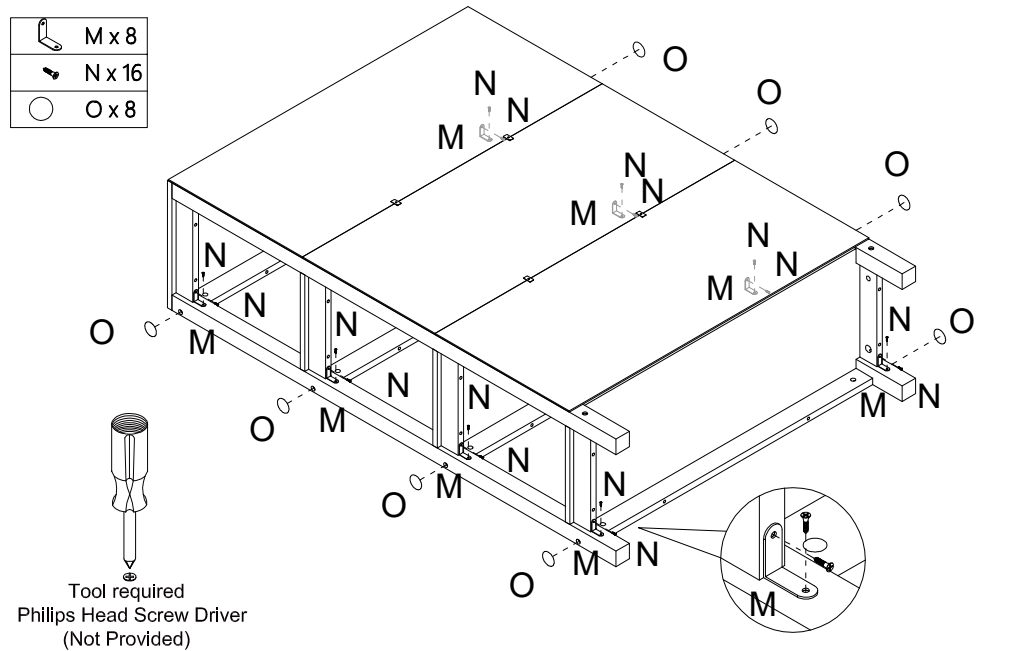
### STEP 8:

-  J x 4
-  K x 2



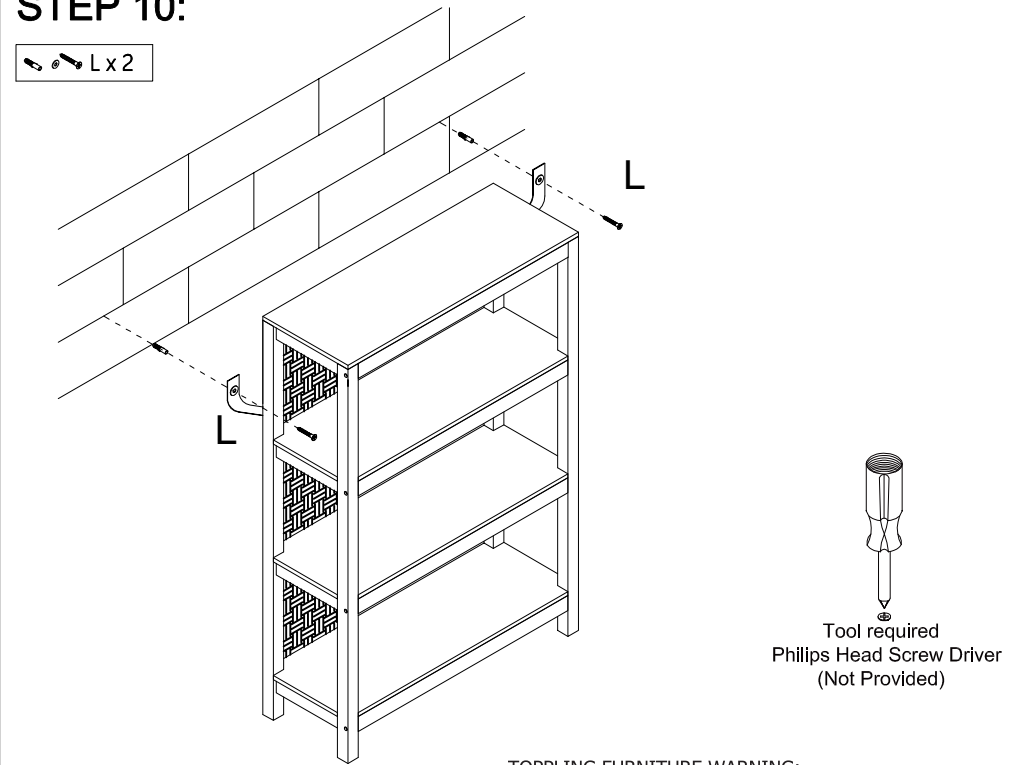
### STEP 9:

-  M x 8
-  N x 16
-  O x 8



### STEP 10:

-  L x 2




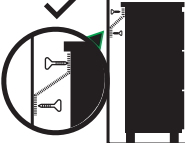
#### TOPPLING FURNITURE WARNING:

- It is strongly recommended that this product is permanently fixed to the wall.
- Please seek professional advice if you are in doubt of what fixing device to use.
- Regularly check that anchors are securely maintained.
- Use safety drawer locks to prevent children climbing.
- Stability of tall items may be affected by thick pile carpet or uneven floors .
- Do not place unanchored televisions on furniture .

**CAUTION:** for your safety when attaching the anchor fixings, please note the following:


- Check any electrical wires or plumbing inside the wall before drilling any holes (if you are unsure please seek professional advice from a qualified tradesperson).

**⚠ WARNING**

Children have died from furniture tipover.

- ALWAYS secure it with an anchor device.
- NEVER allow children to stand, climb or hang on drawers, doors, or shelves.
- NEVER open more than one drawer at a time.
- Place heavy items down low.

NEVER put a TV on this furniture 

This is a permanent label. Do not remove!



TOPPLING HAZARD

WARNING: PLEASE SECURE YOUR FURNITURE WITH THE SUPPLIED WALL FIXING. SCAN THE CODE FOR MORE INFORMATION.

