

Assembly Instructions


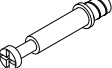

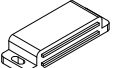

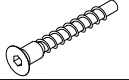


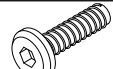
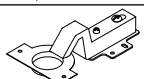


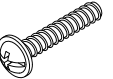
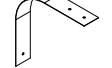

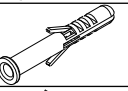
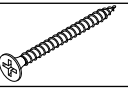
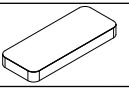

43504398 STEVIE ENTERTAINMENT UNIT

CARE INSTRUCTIONS: WIPE CLEAN WITH A SOFT DAMP CLOTH. NEVER USE SCOURERS, ABRASIVES OR CHEMICAL SOLVENTS. KEEP AWAY FROM MOISTURE AND DIRECT SUNLIGHT. STORE IN A DRY PLACE. FOR INDOOR USE ONLY.

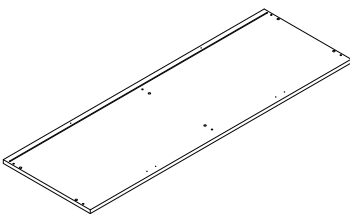
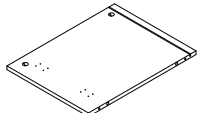
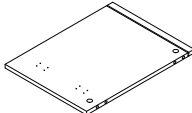
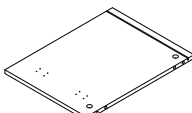
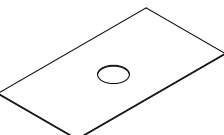
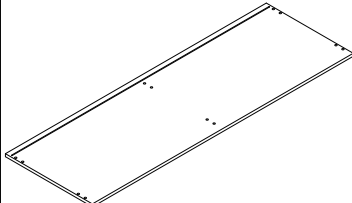
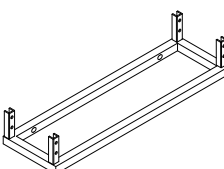
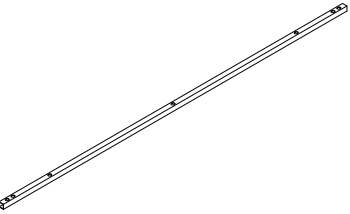
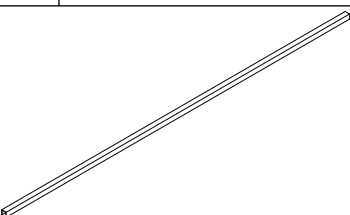
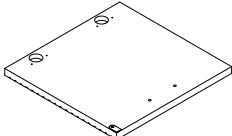
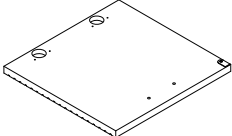
WARNING: DO NOT STAND, SIT OR LEAN ON THE UNIT. DO NOT USE THIS UNIT AS A STEP LADDER. ENSURE THIS UNIT IS USED ONLY ON A FLAT SURFACE. DO NOT USE THIS UNIT UNLESS ALL BOLTS AND SCREWS ARE FIRMLY SECURED. DO NOT PLACE HOT OBJECTS SUCH AS COFFEE CUPS DIRECTLY ON THE SURFACE OF THIS FURNITURE ITEM. THIS ITEM IS FOR STORAGE PURPOSES ONLY. CONTAINS SMALL PARTS. IT IS TO BE ASSEMBLED BY AN ADULT. FAILURE TO FOLLOW THESE WARNINGS COULD RESULT IN SERIOUS INJURY.

MAXIMUM SAFE LOAD: 25kg FOR TOP

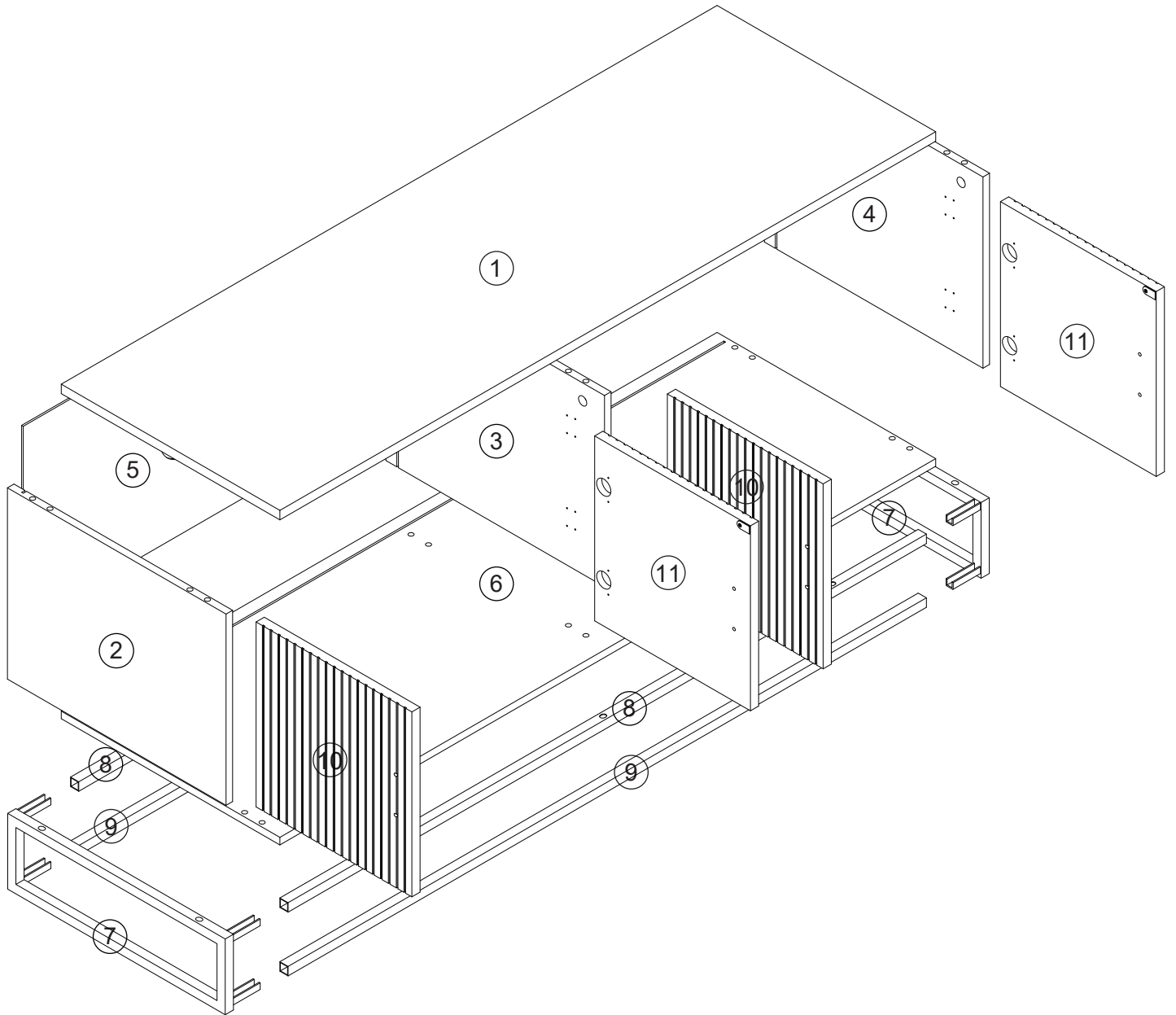
1 Hardware List

	A	8x30mm	12pcs		B	6x35mm	6pcs		C	15x10mm	6pcs
	D		2pcs		E	3x14mm	12pcs		F	7x50mm	6pcs
	G		1pc		H	6x12mm	16pcs		I	6x25mm	10pcs
	J		8pcs		K	3x12mm	50pcs		L		4pcs
	M	4x25mm	8pcs		N		2pcs		O		4pcs
	P		2pcs		Q	4x40mm	2pcs		R		4pcs
	S		8pcs								


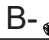

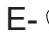
2 Parts List

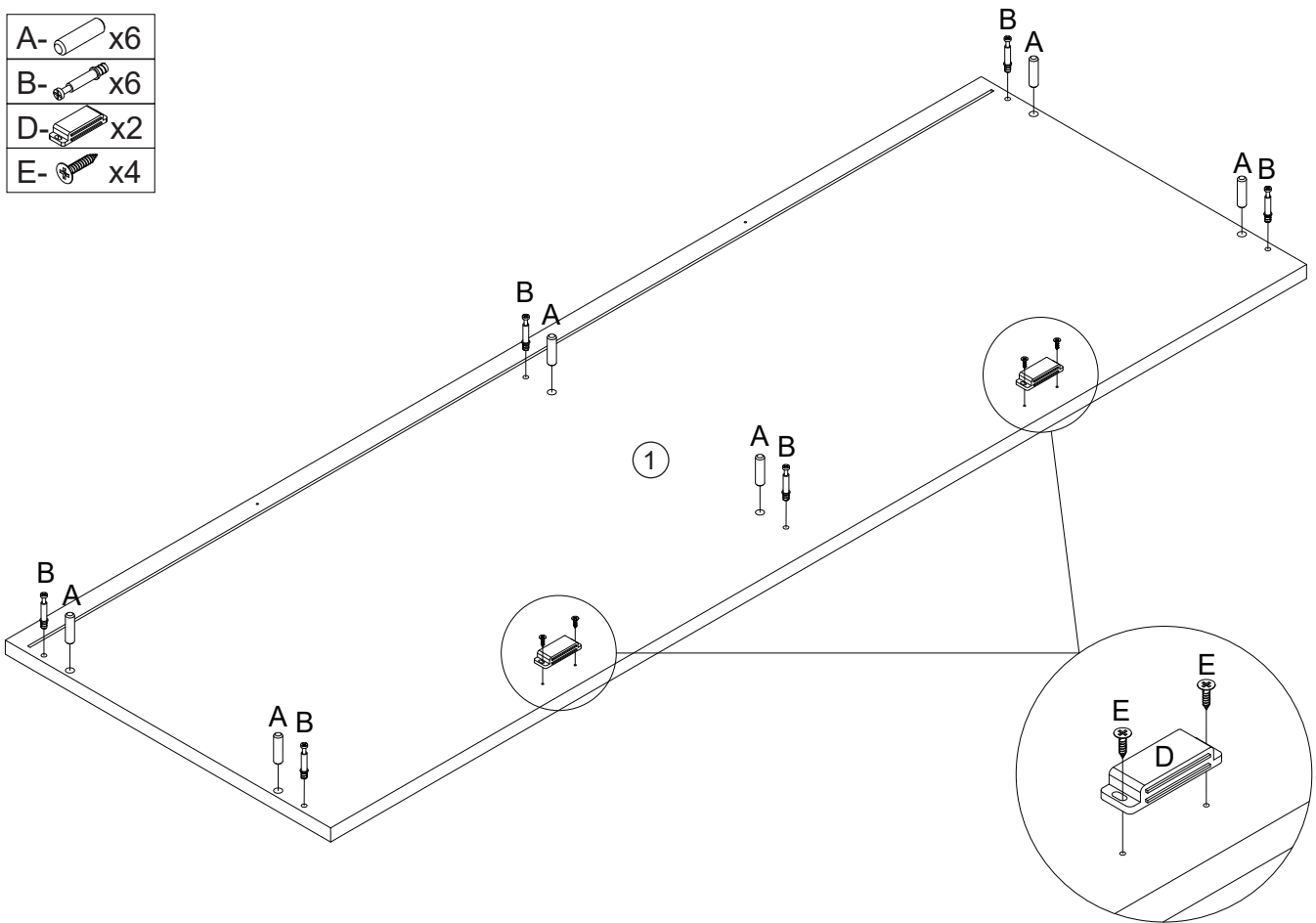
			
①	1pc	②	1pc
			
⑤	2pcs	⑥	1pc
			
⑨	2pcs	⑩	2pcs
		⑪	2pcs

3



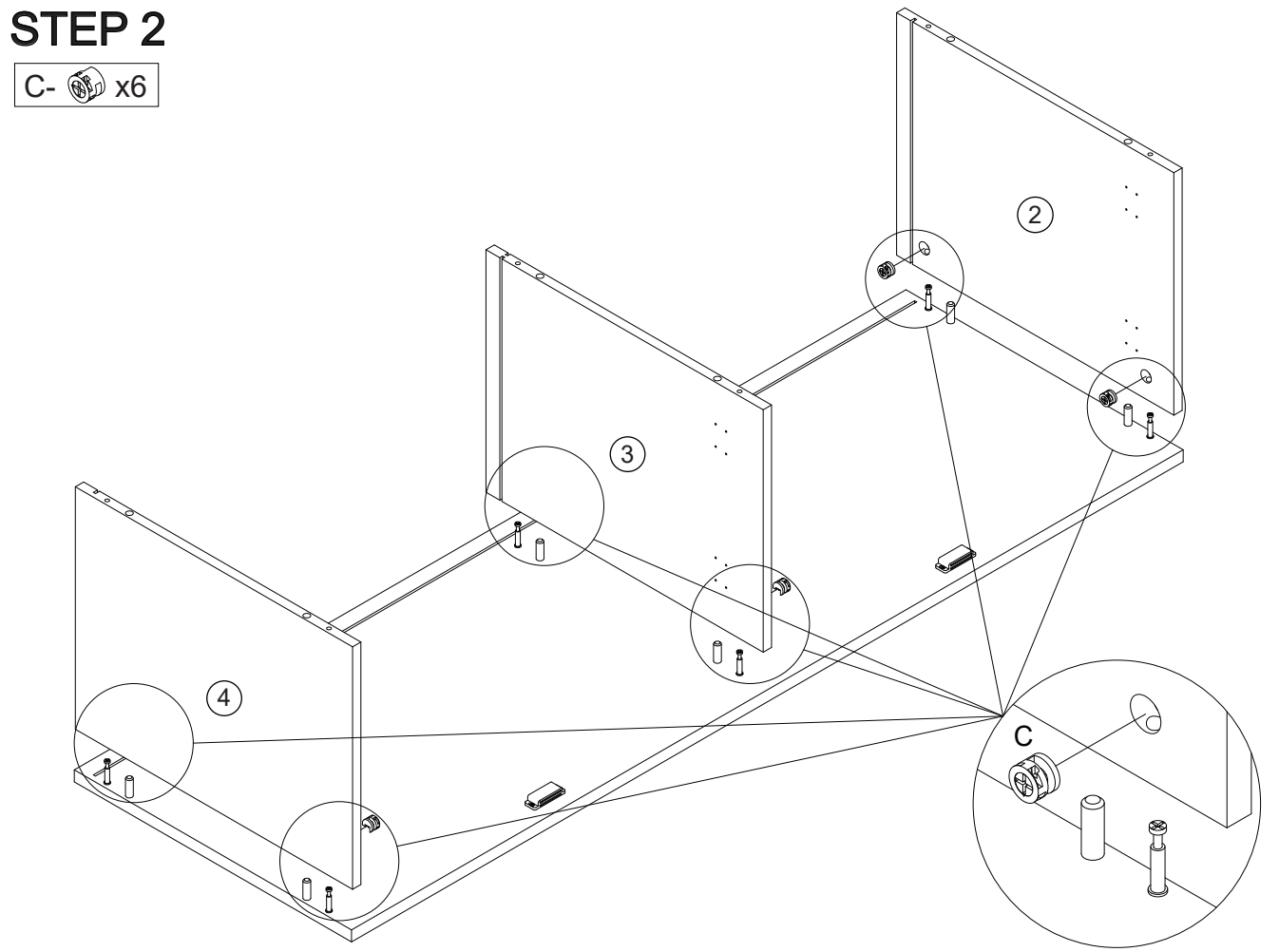
STEP 1

- A-  x6
- B-  x6
- D-  x2
- E-  x4



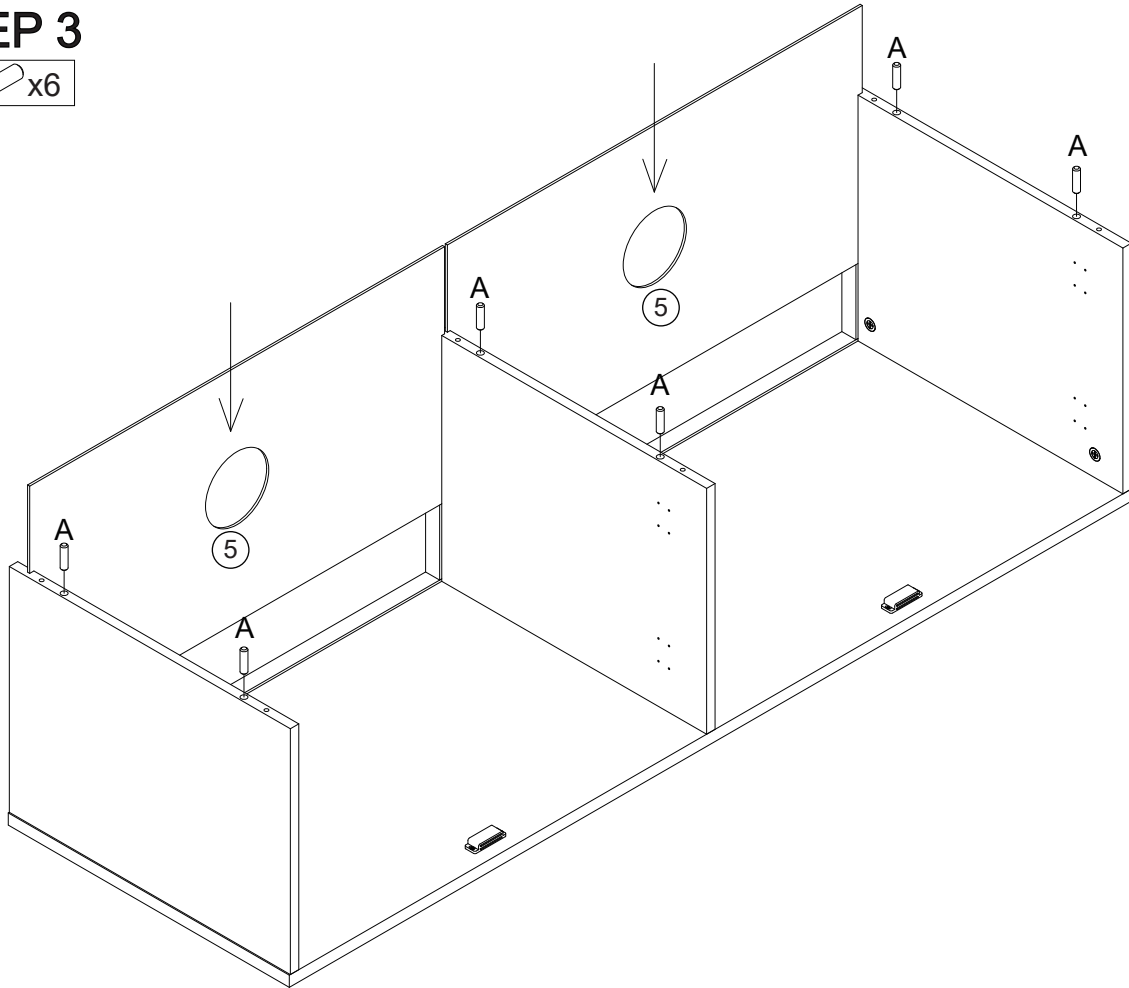
STEP 2

- C-  x6




STEP 3

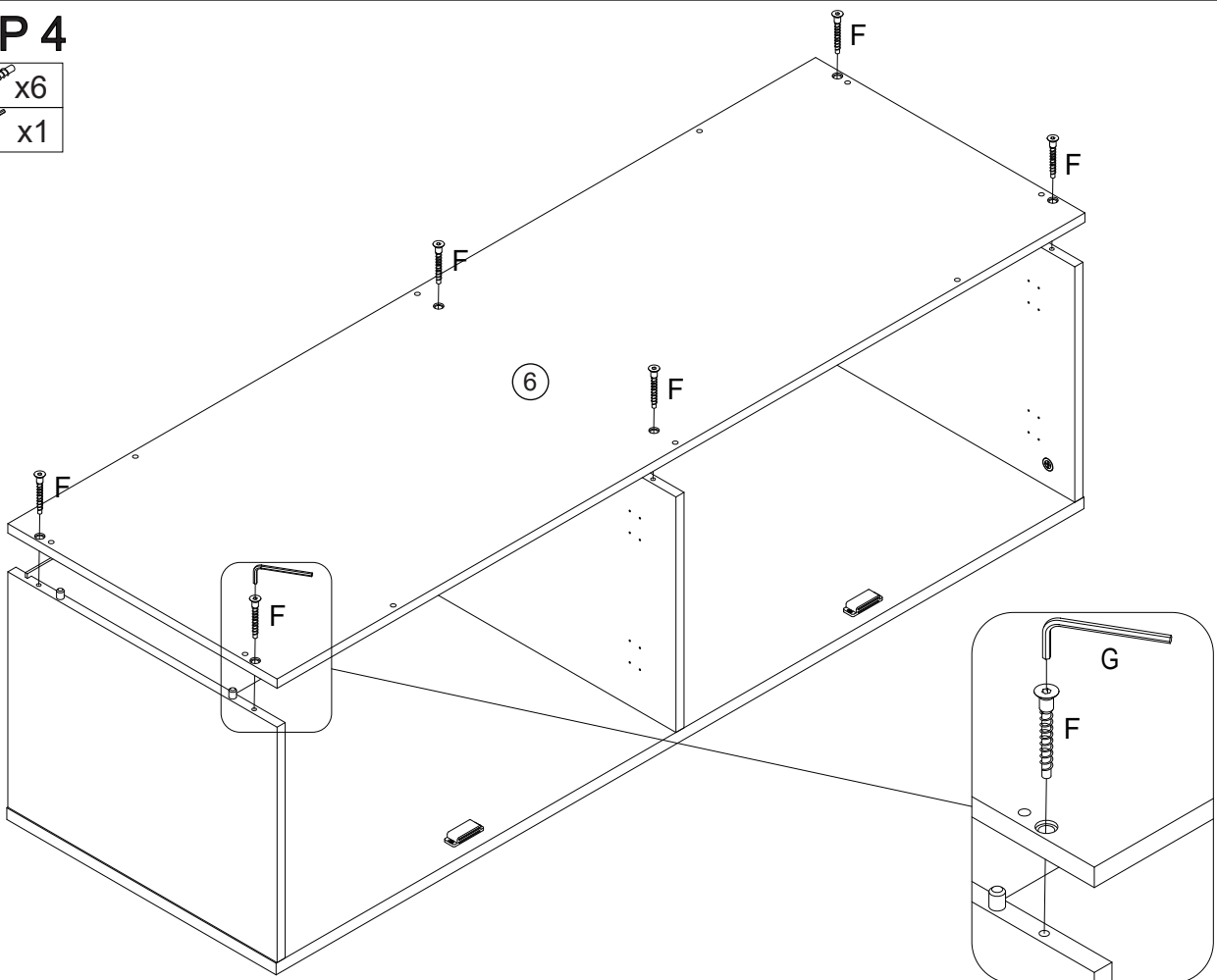
A-  x6



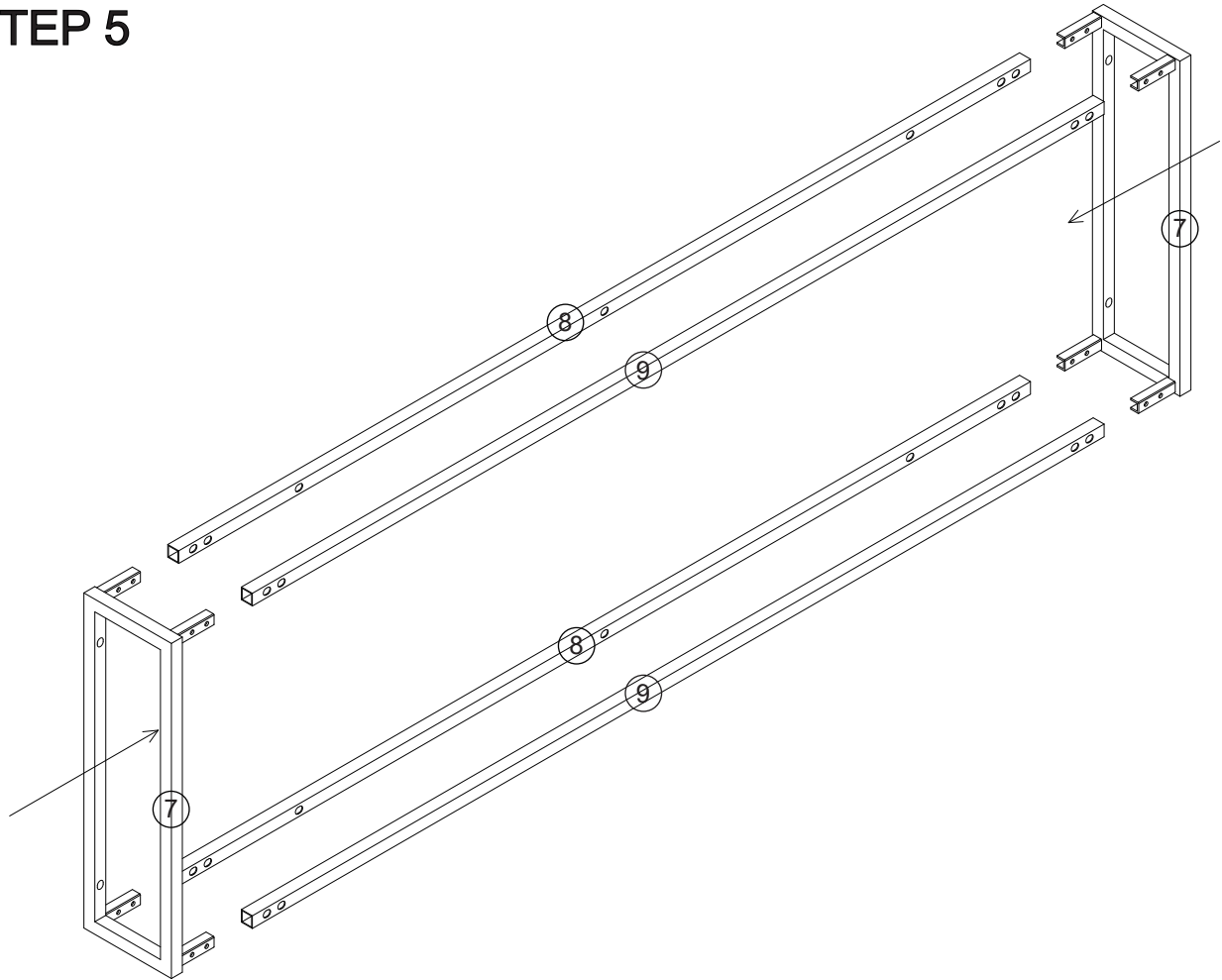
STEP 4

F-  x6



G-  x1

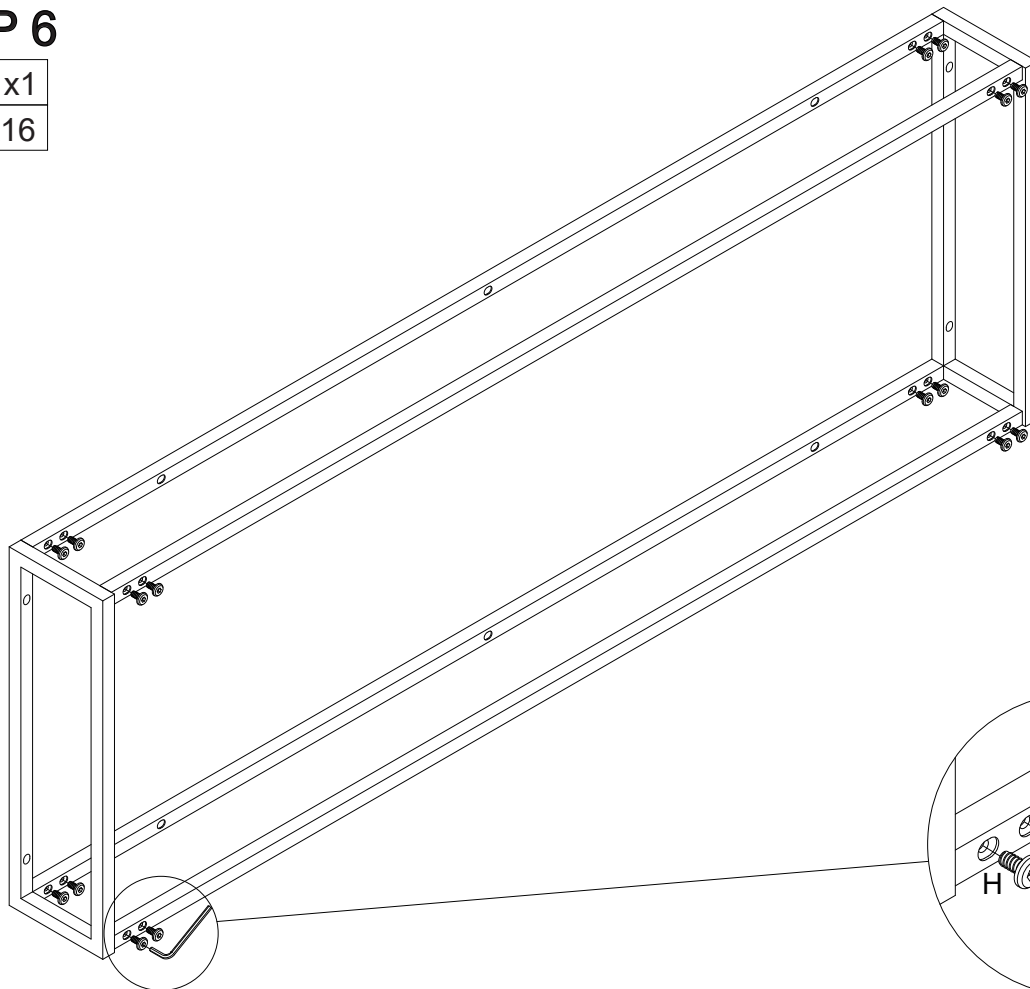


STEP 5


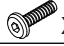



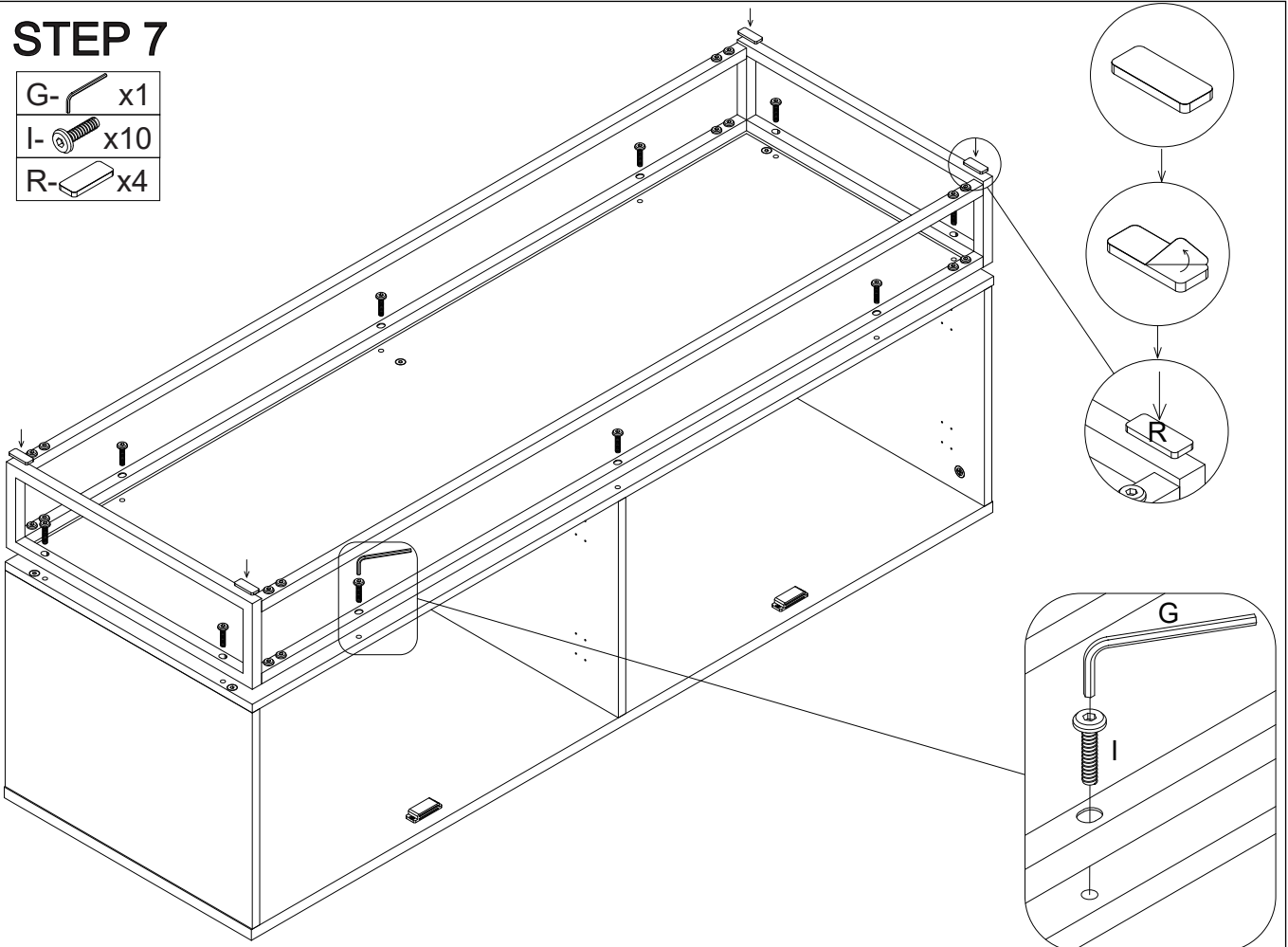
STEP 6

- G-  x1
- H-  x16


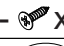




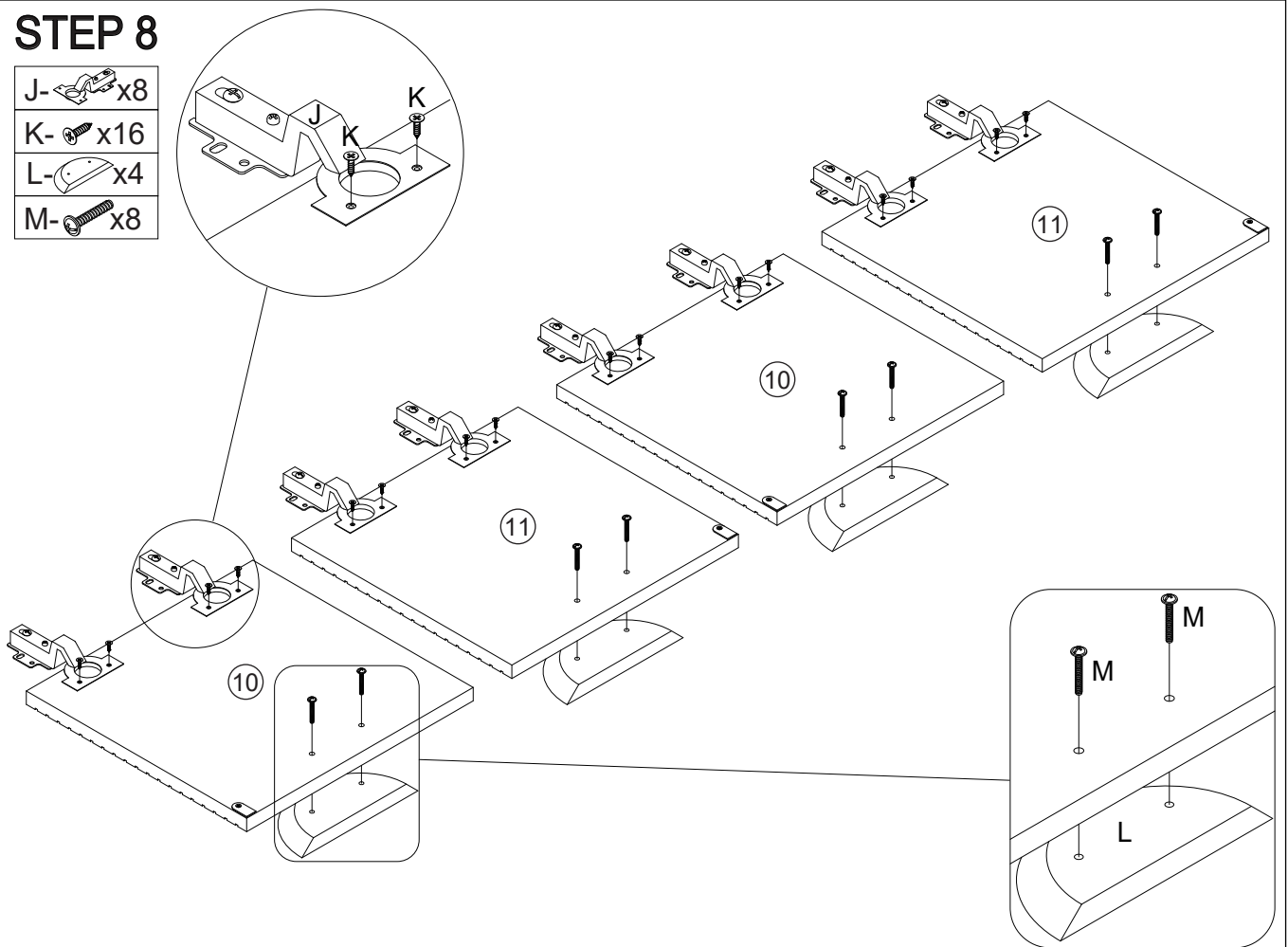
STEP 7

- G-  x1
- I-  x10
- R-  x4



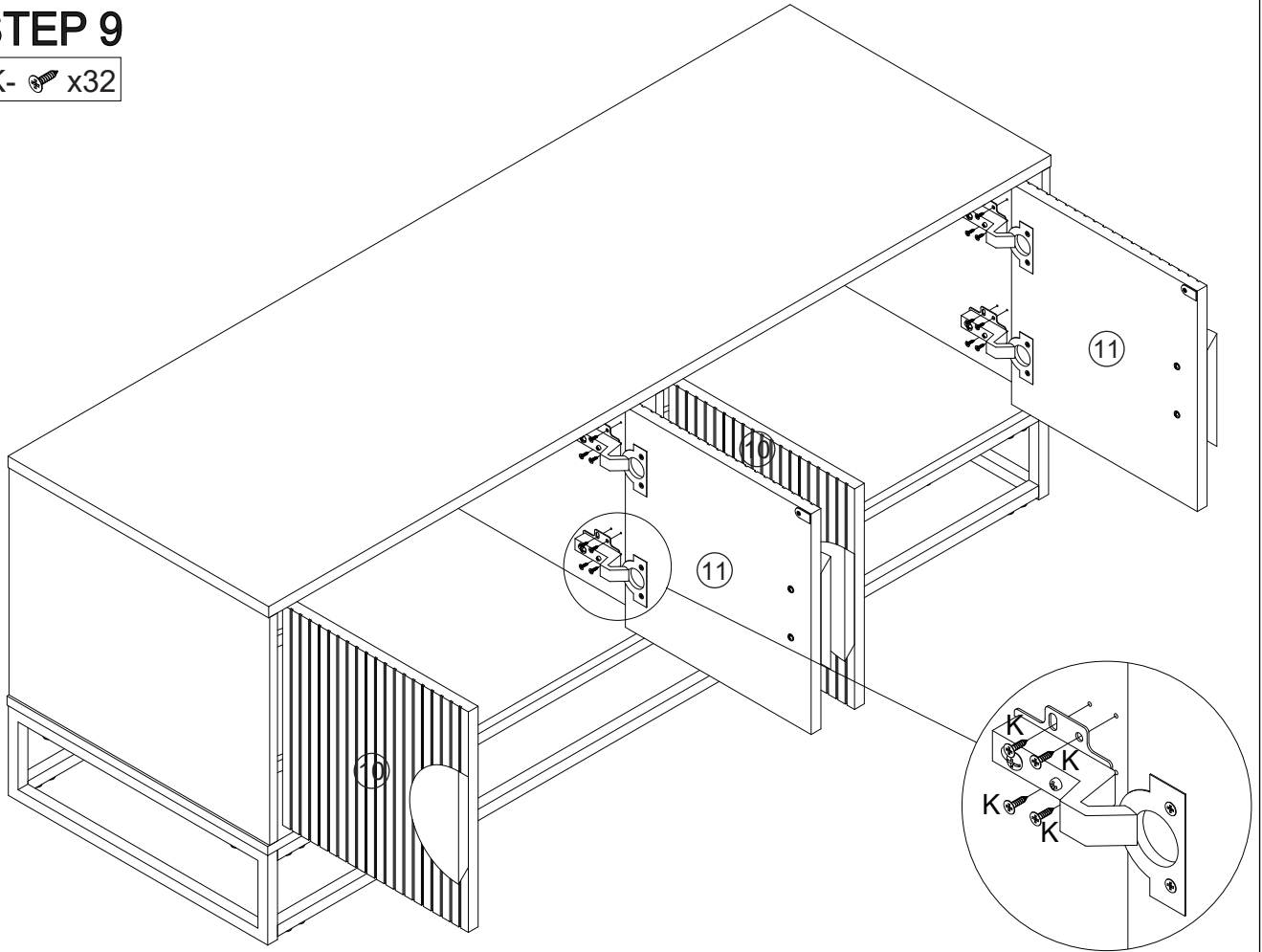
STEP 8

- J-  x8
- K-  x16
- L-  x4
- M-  x8



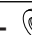




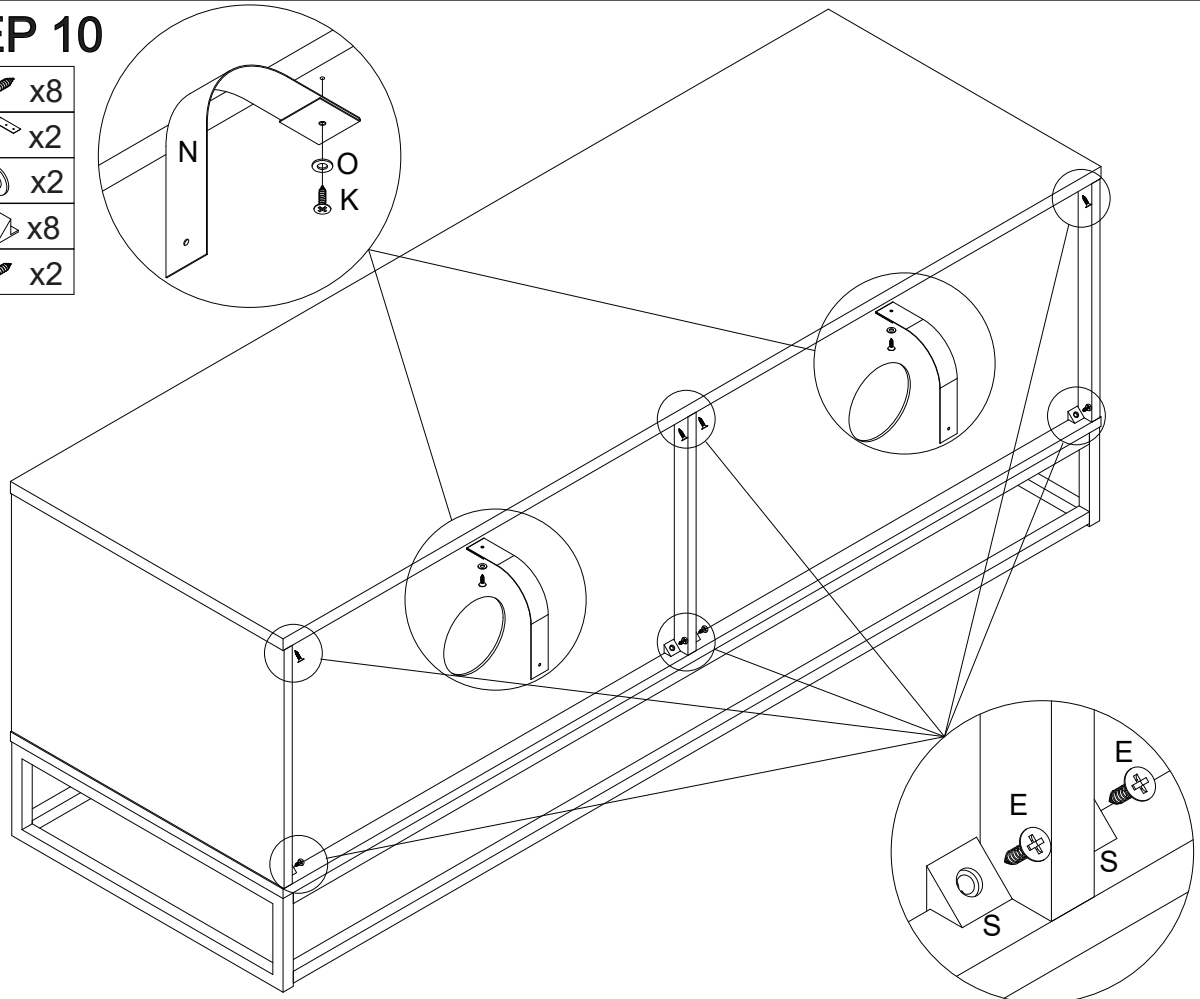
STEP 9

K-  x32

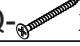




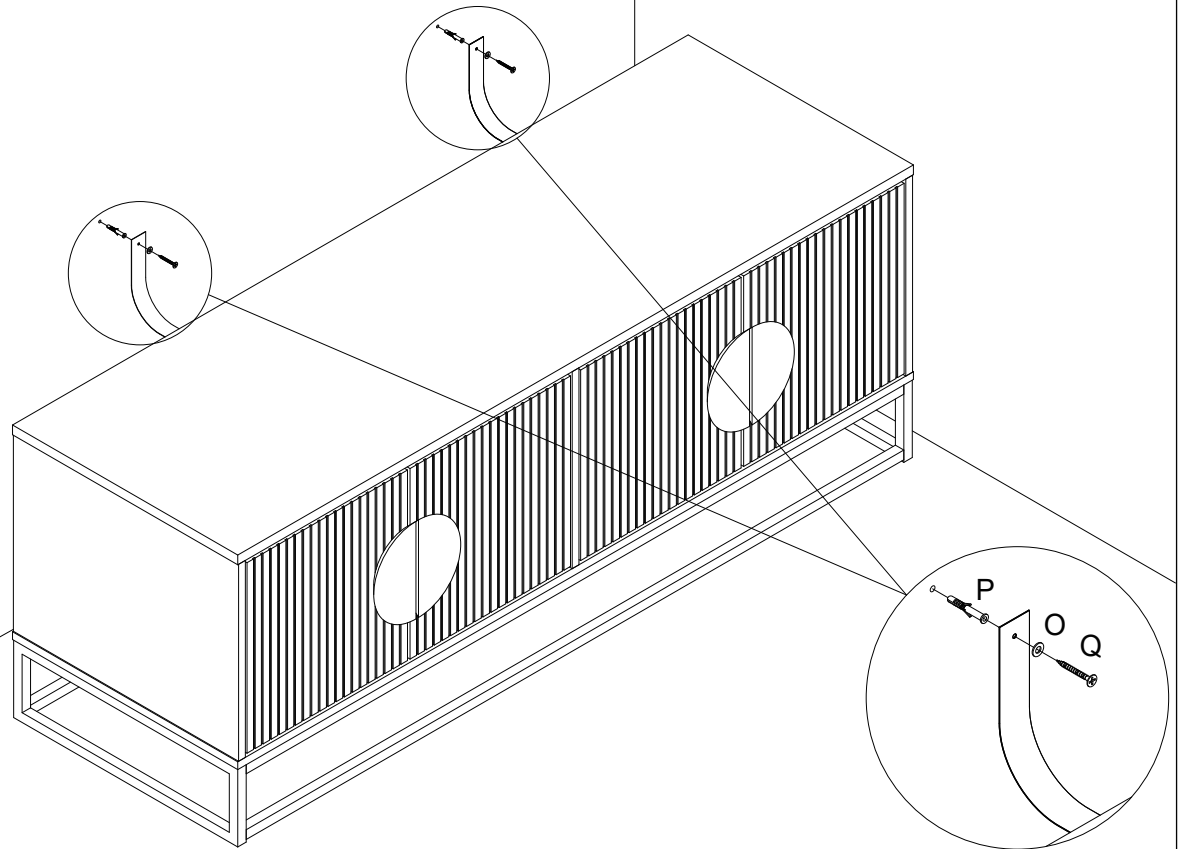
STEP 10

- E-  x8
- N-  x2
- O-  x2
- S-  x8
- K-  x2



STEP 11

- Q-  x2
- O-  x2
- P-  x2



⚠ WARNING




Children have died from furniture tipover.

- NEVER allow children to stand, climb or hang on drawers, doors, or shelves.
- ALWAYS secure your television with an anchor device or mount the television on a wall.

**This is a permanent label.
Do not remove!**

TOPPLING FURNITURE WARNING:

- **It is strongly recommended that this product is permanently fixed to the wall.**
- **Please seek professional advice if you are in doubt of what fixing device to use.**
- **Regularly check that anchors are securely maintained.**
- **Use safety drawer locks to prevent children climbing.**
- **Stability of tall items may be affected by thick pile carpet or uneven floors .**
- **Do not place unanchored televisions on furniture .**

CAUTION: for your safety when attaching the anchor fixings, please note the following:

- **Check any electrical wires or plumbing inside the wall before drilling any holes (if you are unsure please seek professional advice from a qualified tradesperson).**



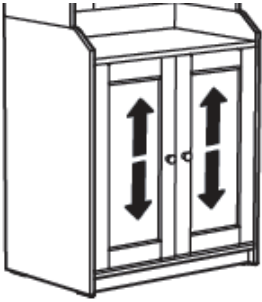
WARNING: PLEASE SECURE YOUR FURNITURE WITH THE SUPPLIED WALL FIXING. SCAN THE CODE FOR MORE INFORMATION.



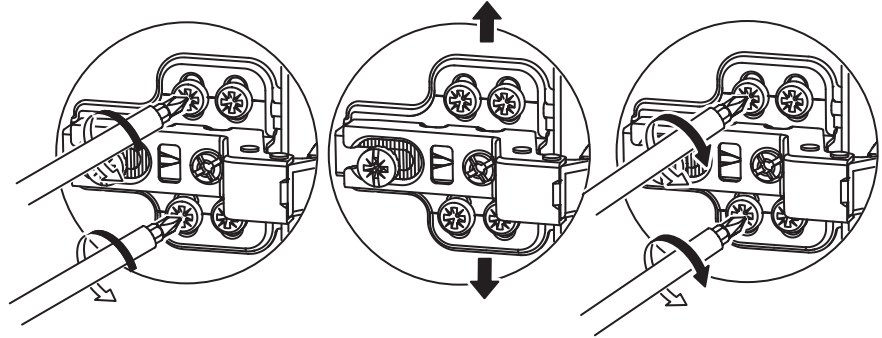
Hinger Adjustment Tips

Noted: The door might be scraping, bumping, misaligned when first assembly.

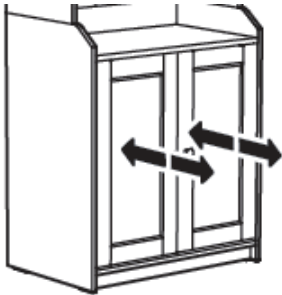
Please follow the below tips:



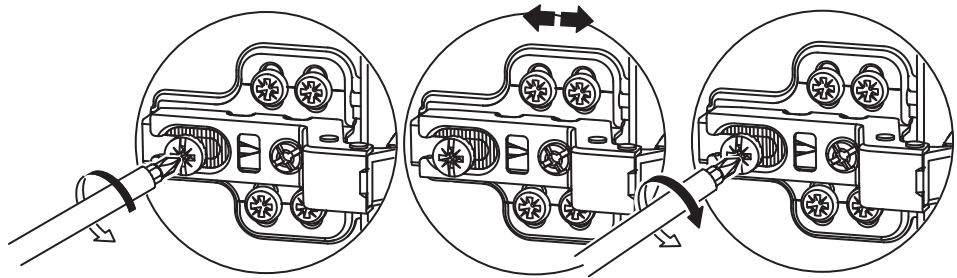
Adjust the door up and down



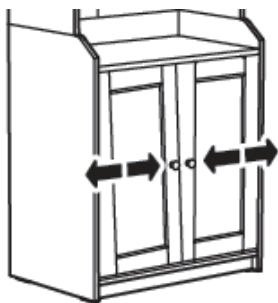
1. Loosen the two mounting screws on both hinges, but only slightly. ...
2. Gently close the cabinet door.
3. With the door still closed, adjust the cabinet door to the desired height.
4. Open the cabinet door again, being careful not to jostle the door out of position.
5. Retighten the screws by hand.



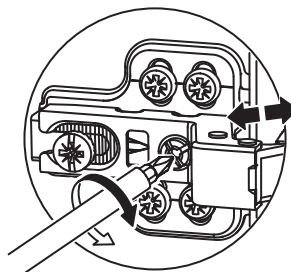
Move the door in and out



If the door doesn't meet the box at the top, adjust the top hinge toward the cabinet and/or adjust the bottom hinge away from the cabinet. If the door is gapped at the bottom, do the reverse.



Move the door right or left



You can adjust one or both hinges on each door, depending on how much correction it needs. If the door seems to be tilting down to the right, turn the side-to-side screw on the top hinge so the hinge pulls closer to the side of the cabinet box, moving the top of the door to the left.