

# Assembly Instructions

## 43508693 CUSTOM STORAGE SET OF 2 WIRE SHELVES

**CARE INSTRUCTIONS:** WIPE CLEAN WITH A DAMP OR DRY CLOTH. DO NOT USE ABRASIVE MATERIALS AND SOLVENTS. KEEP AWAY FROM WATER AND DIRECT SUNLIGHT. STORE IN A DRY PLACE. FOR INDOOR AND DOMESTIC USE ONLY.




**WARNING:** IF UNSURE PLEASE SEEK PROFESSIONAL ASSISTANCE IN INSTALLING THIS PRODUCT. BEFORE STARTING TO INSTALL, PLEASE READ THESE INSTRUCTIONS CAREFULLY TO MAKE SURE YOU FOLLOW THE CORRECT STEPS FOR INSTALLATION. PRODUCT MUST BE LOCATED WITHIN THE SPACE HANGING TO ENSURE MAXIMUM STABILITY AND STRENGTH.

**MAXIMUM SAFE LOAD: 20KG FOR EACH SHELF WITH HANGING RAIL.**

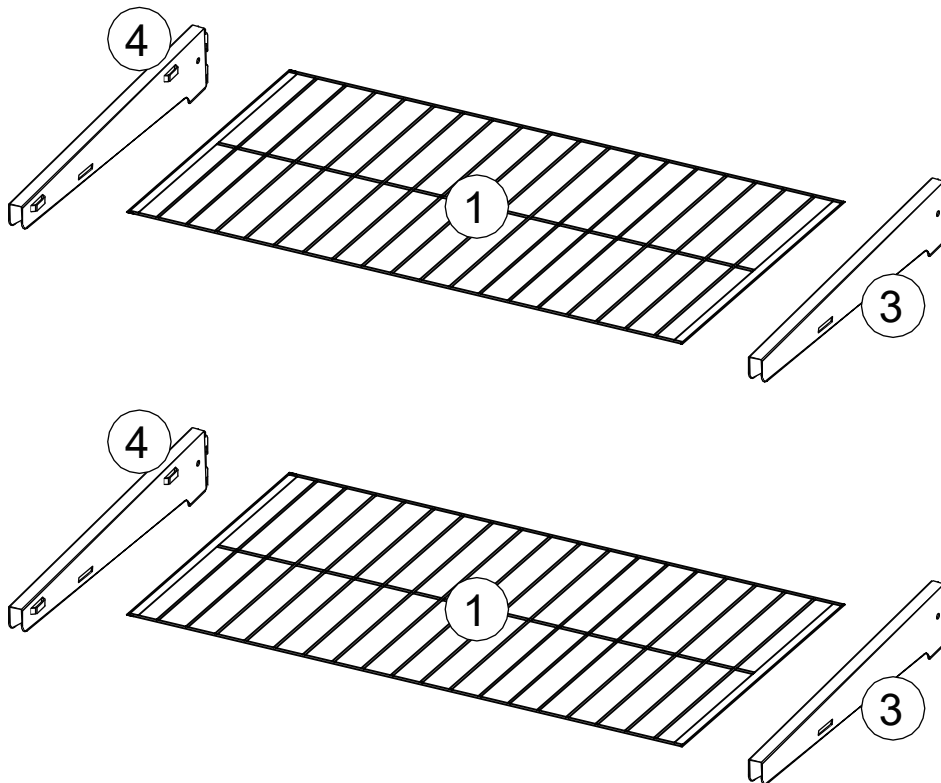
**PLEASE SEEK PROFESSIONAL ADVICE IF IN DOUBT.**

**INSTRUCTIONAL VIDEO:** <https://youtu.be/WvAdGVErDGE>

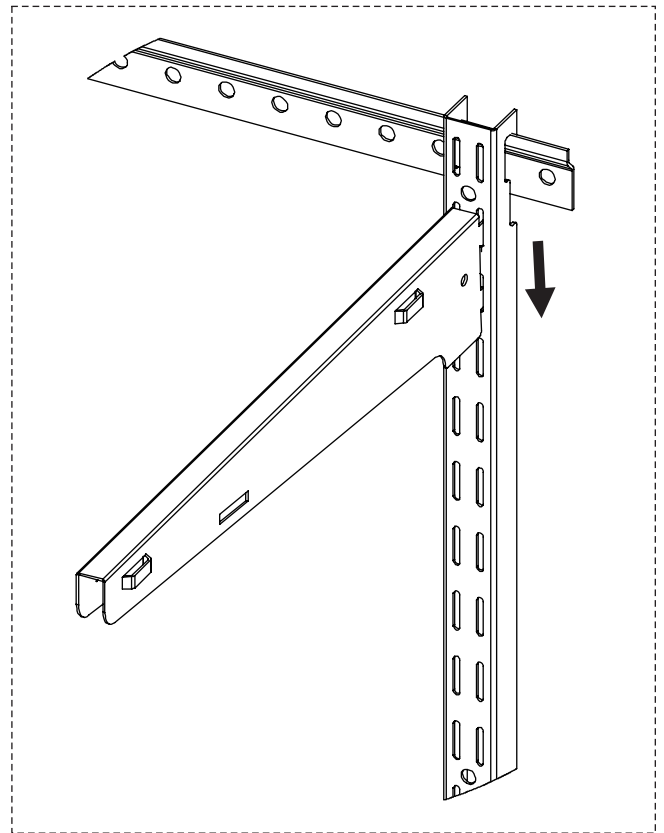
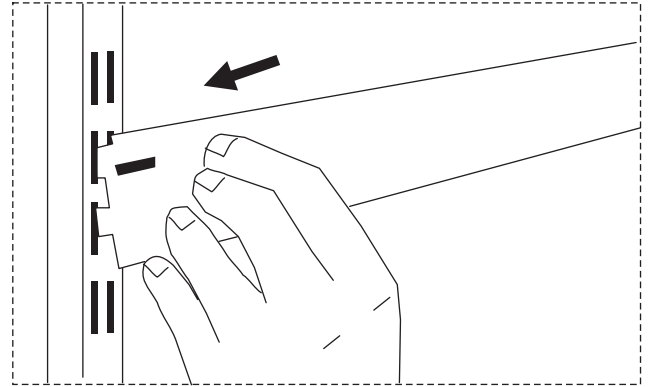
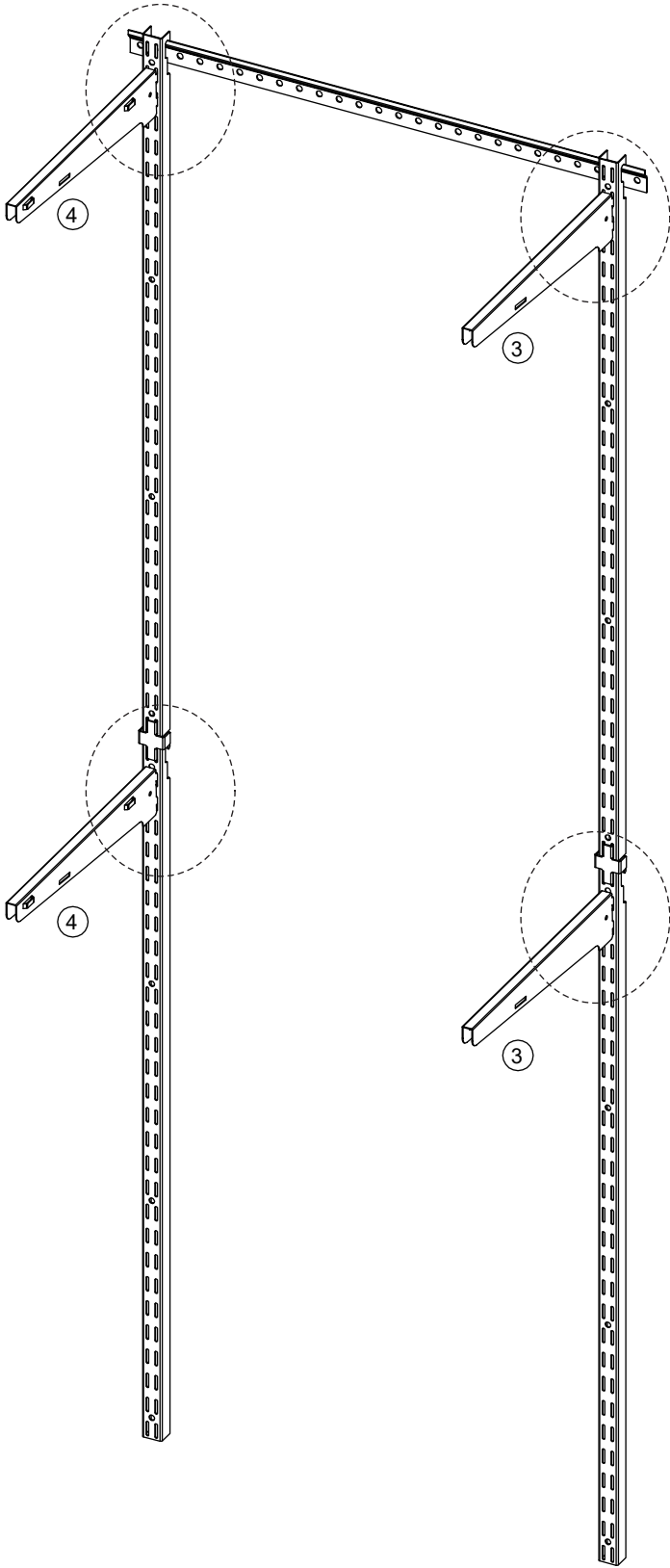
### Parts List

					
wire shelf	right bracket	left bracket			
①	2PCS	③	2PCS	④	2PCS

**INSTRUCTIONAL VIDEO  
AVAILABLE ONLINE**



**STEP 1** Install the left and right brackets and apply a downward push to ensure it is locked in place.



**STEP 2**

Install the wire shelf and ensure that the snaps underneath the wire shelf engage with the notches. Secure the wire shelf and give it a push to ensure it is locked in place. When the wire shelf is locked, the front end is flush.

